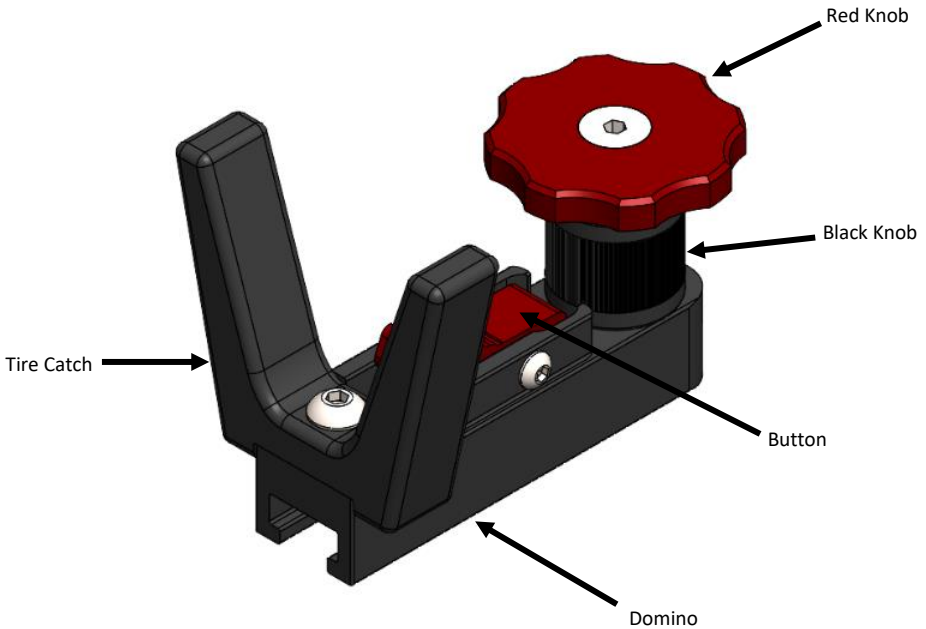


In the Box:

- Wheel Chock Components
- Glide Bar
- Nut Strip
- (2) 5/16-18 Flat Heads
- (1) 3/8-16 Button Head

Tools Required:

- 3/16" Allen Wrench (included)
- 7/32" Allen Wrench (included)



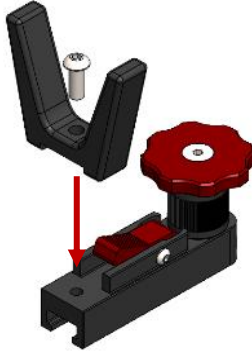
Product Notes

- Compatible with Xtreme Duty and Super Duty Racks.
- Wheel Chock compatible with tires up to 3" wide.
- Fat Tire Wheel Chock compatible with tires 3" to 5" wide.

Assembling Wheel Chock

Step 1:

Align Tire Catch with hole and fasten with supplied 3/8-16 Button Head. Firmly tighten with 7/32" Allen Wrench.

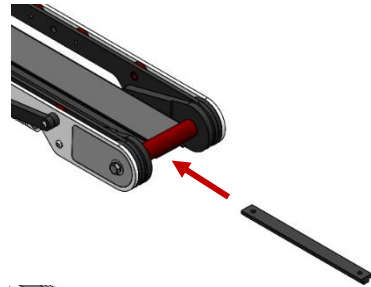
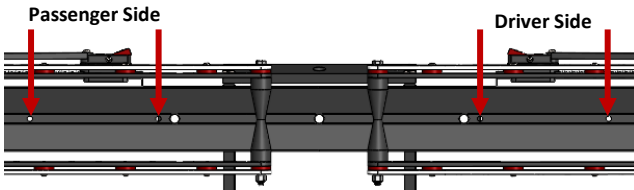


Installing Wheel Chock

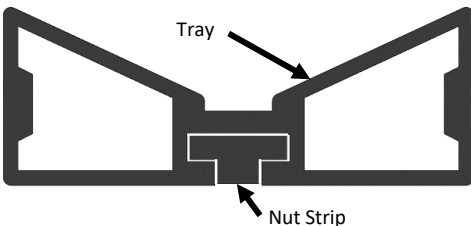
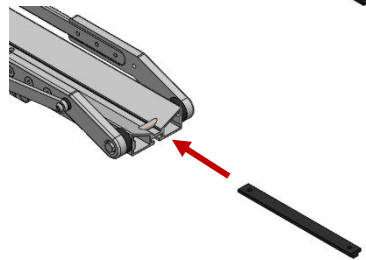
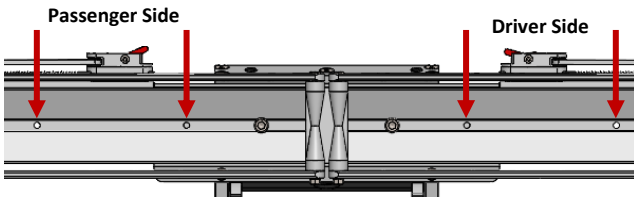
Step 1:

Slide Nut Strip into Tray T-Slot and align with corresponding holes as shown below. Wheel Chock is used for front tire and should alternate sides per additional bike. E.g., front tire of bike one on driver side, front tire of bike two on passenger side, etc.

XD Fitment



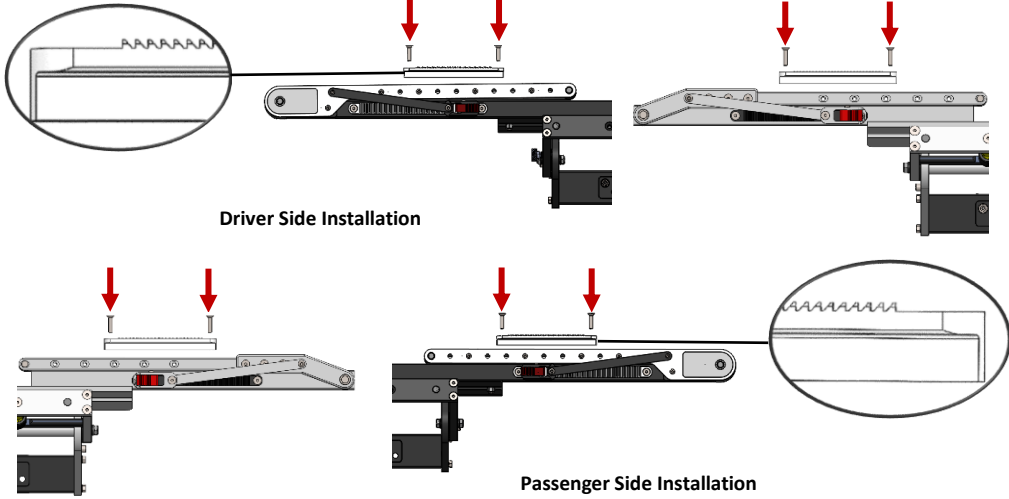
SD Fitment



Note: View shows Nut Strip orientation for both XD and SD. Ensure Nut Strip slides into T-slot as shown below. Incorrect installation will lead to mounting hole misalignment.

Step 2:

Install Glide Bar on Tray using 3/16" Allen Wrench to fasten 5/16-18 Flat Heads into Nut Strip. Tighten firmly.



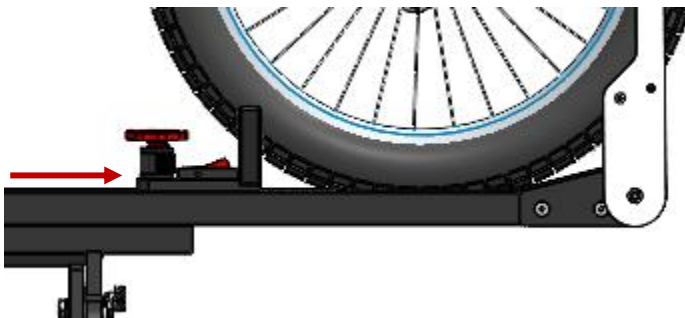
Driver Side Installation

Passenger Side Installation

Note: *Take note of teeth direction on Glide Bar for installation.*

Using Wheel Chock

Place bike onto rack with front tire on same side as Glide Bar. With bike in place, slide Wheel Chock onto backside of front tire as shown below. Once in place, tighten Red Knob until firm. Then, tighten Black Knob to lock Wheel Chock into place. **Note: Black Knob must be fully tightened to lock Wheel Chock into place. Wheel Chock must always be locked in place while in motion.** To remove Wheel Chock, reverse steps above. **Note: Black Knob must be loosened before red Knob.**



Additional Instructions

- Remove road debris off nuts and bolts to prevent corrosion.
- Inspect hardware on Accessory periodically to ensure proper working conditions.
- Certain car wash chemicals may damage Accessory finish. Please use caution when cleaning vehicle and/or Accessory.

Questions or comments? Contact our support team via email at email@1up-usa.com