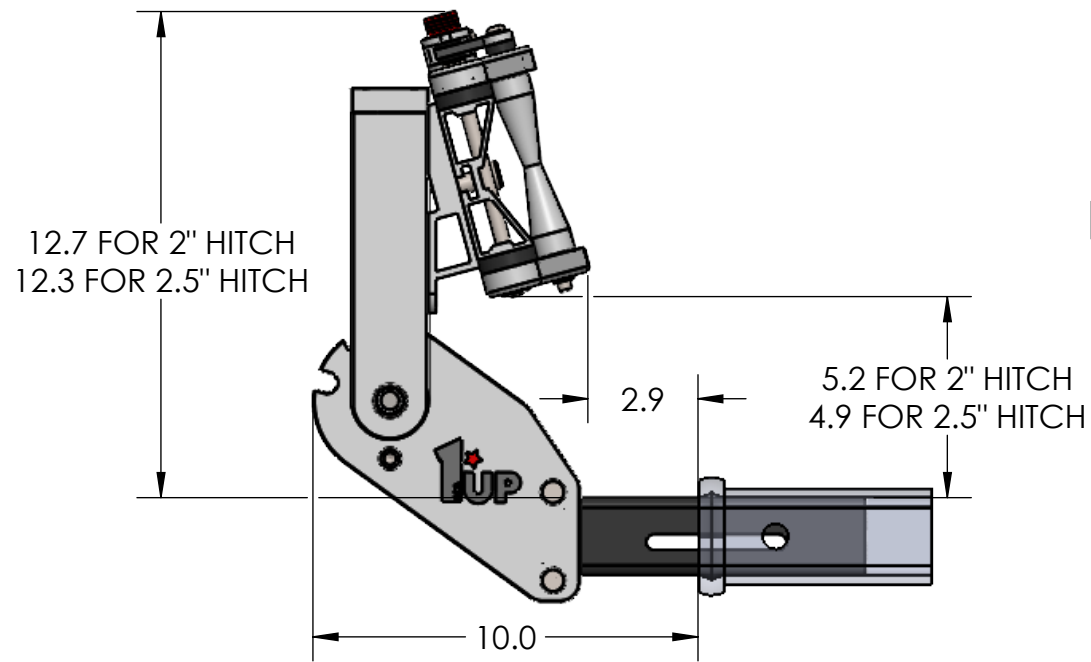
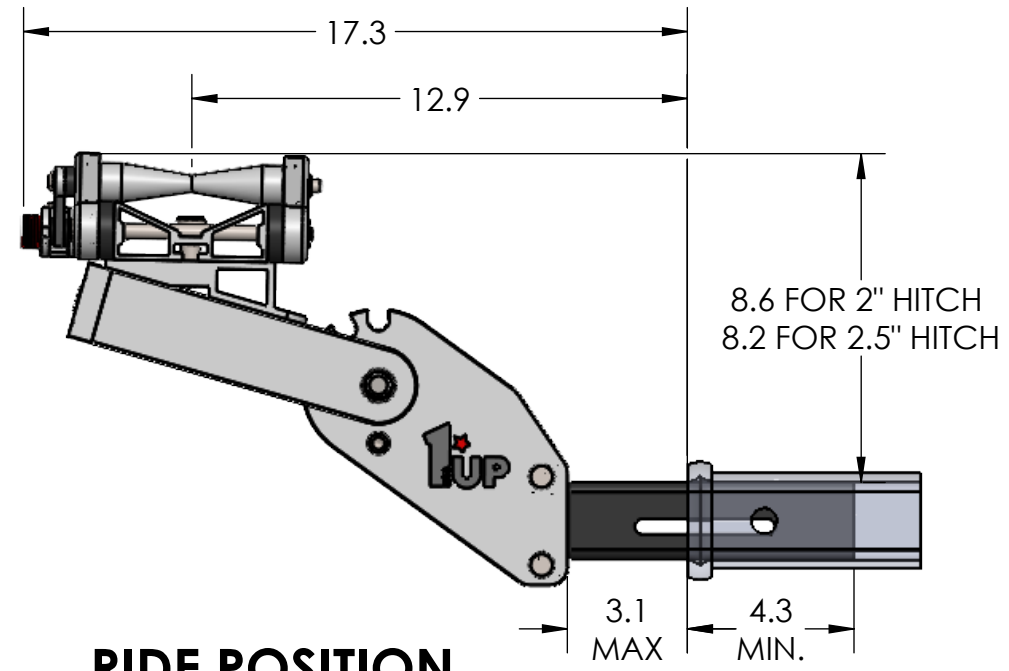


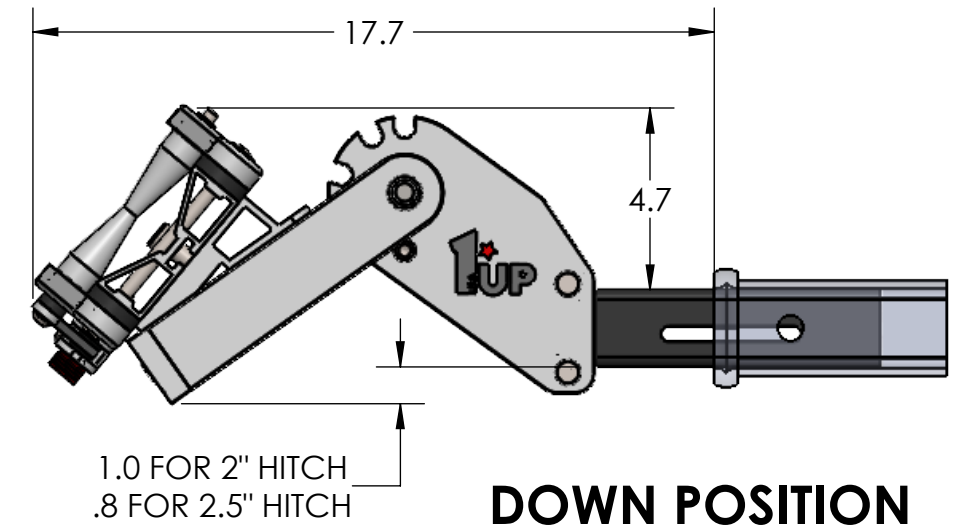
SUPER DUTY SINGLE



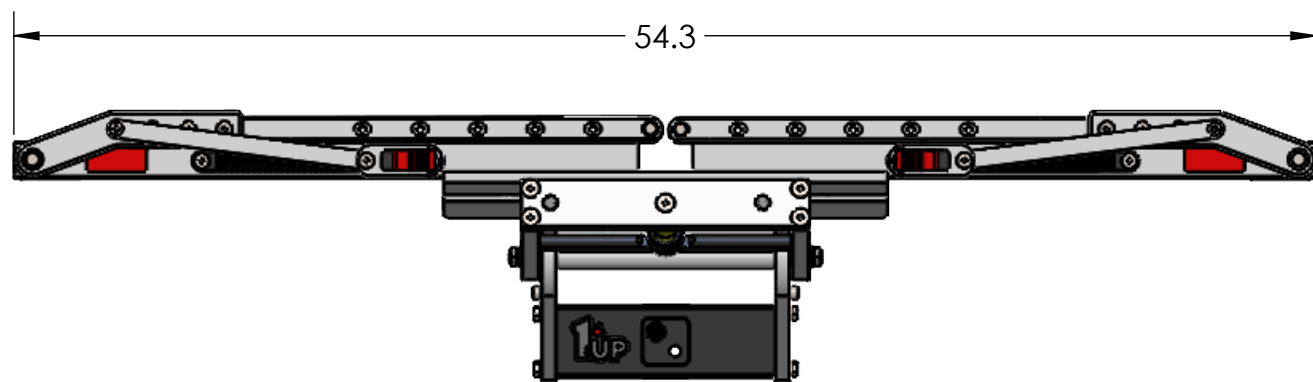
STORAGE POSITION



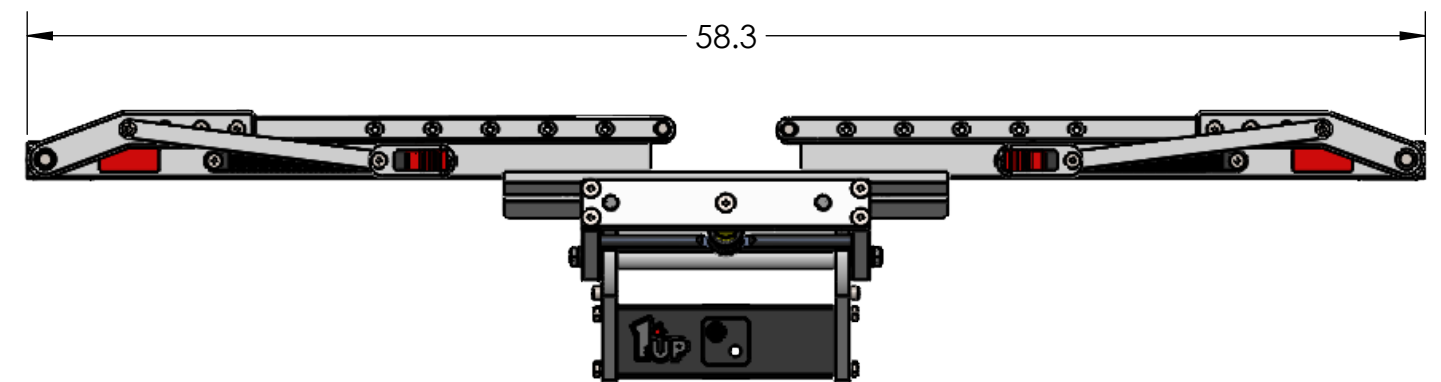
RIDE POSITION



DOWN POSITION

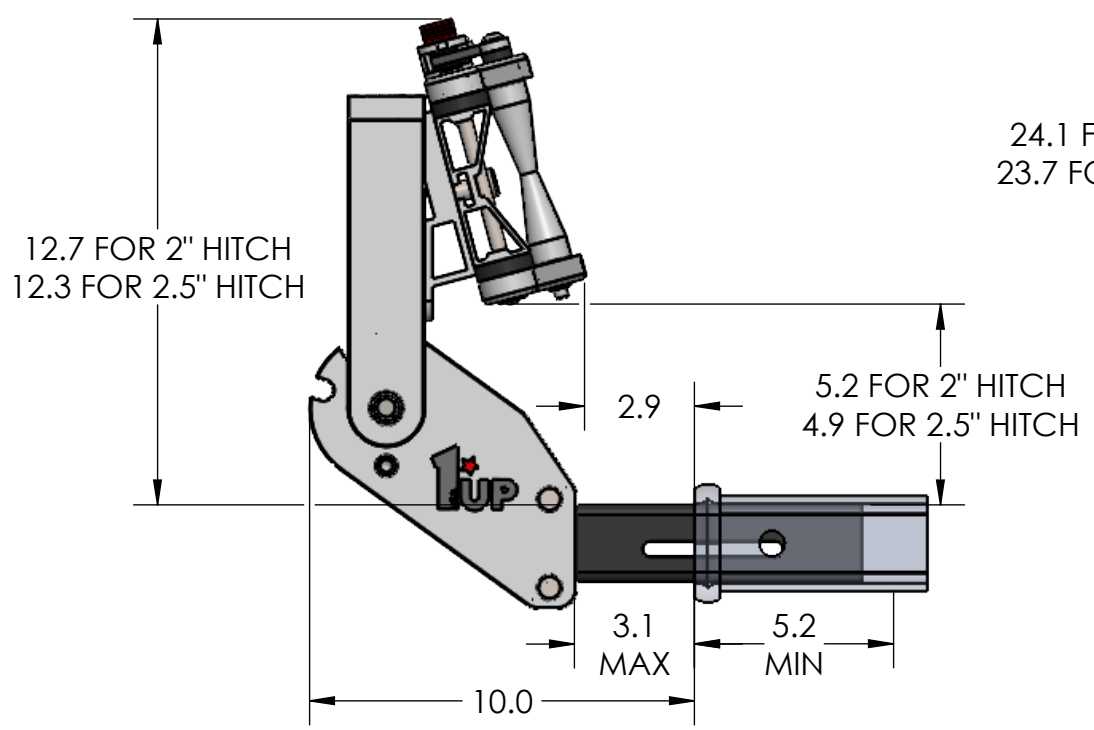


OVERALL WIDTH

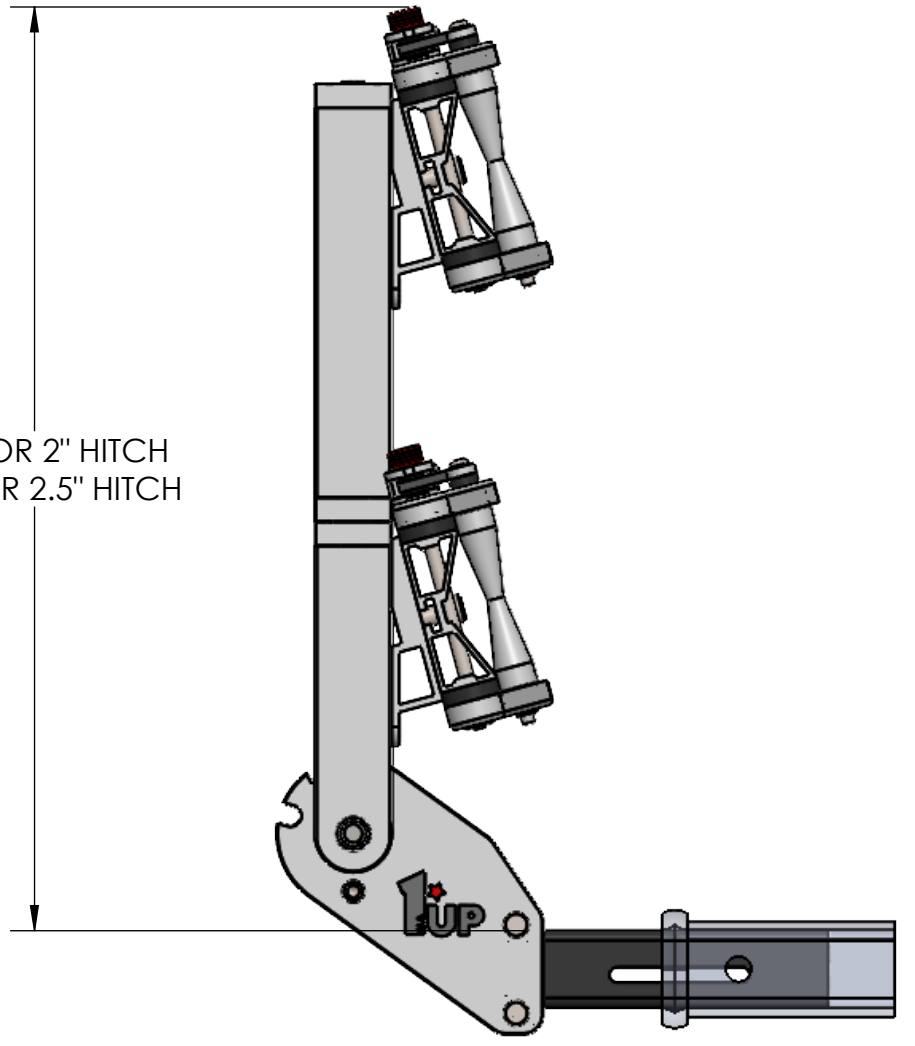


OVERALL WIDTH-WIDE POSITION

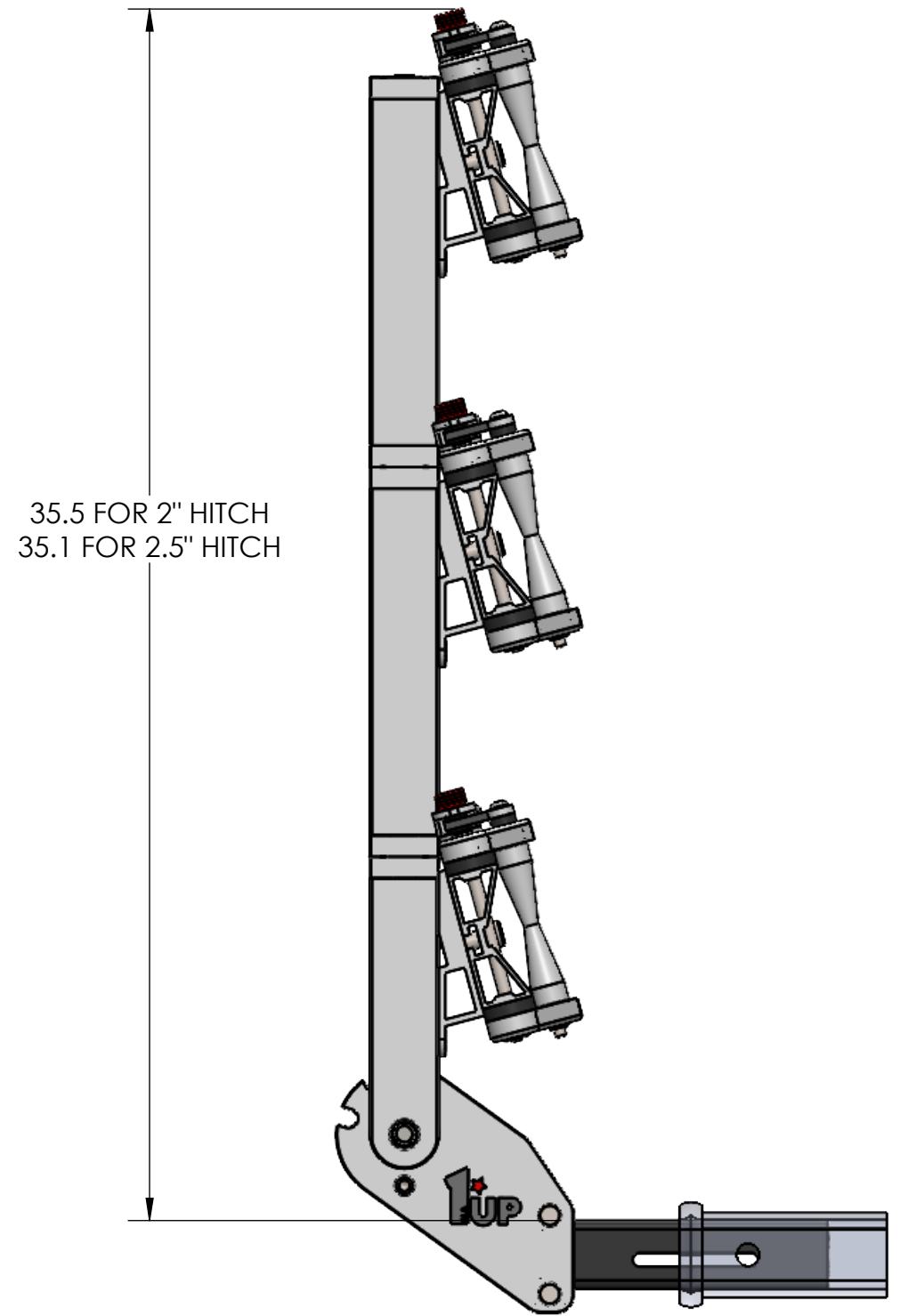
SUPER DUTY SINGLE - STORAGE POSITION



BASE RACK

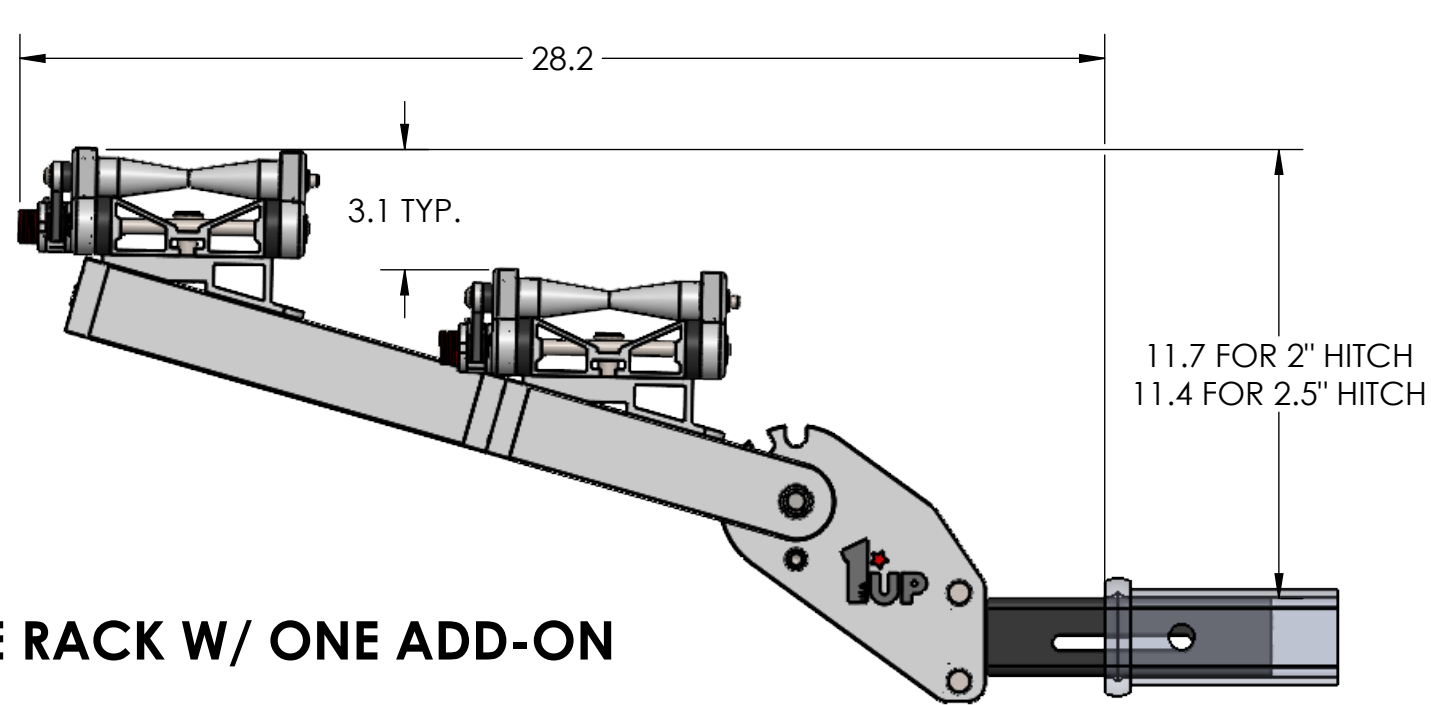


BASE RACK W/ ONE ADD-ON

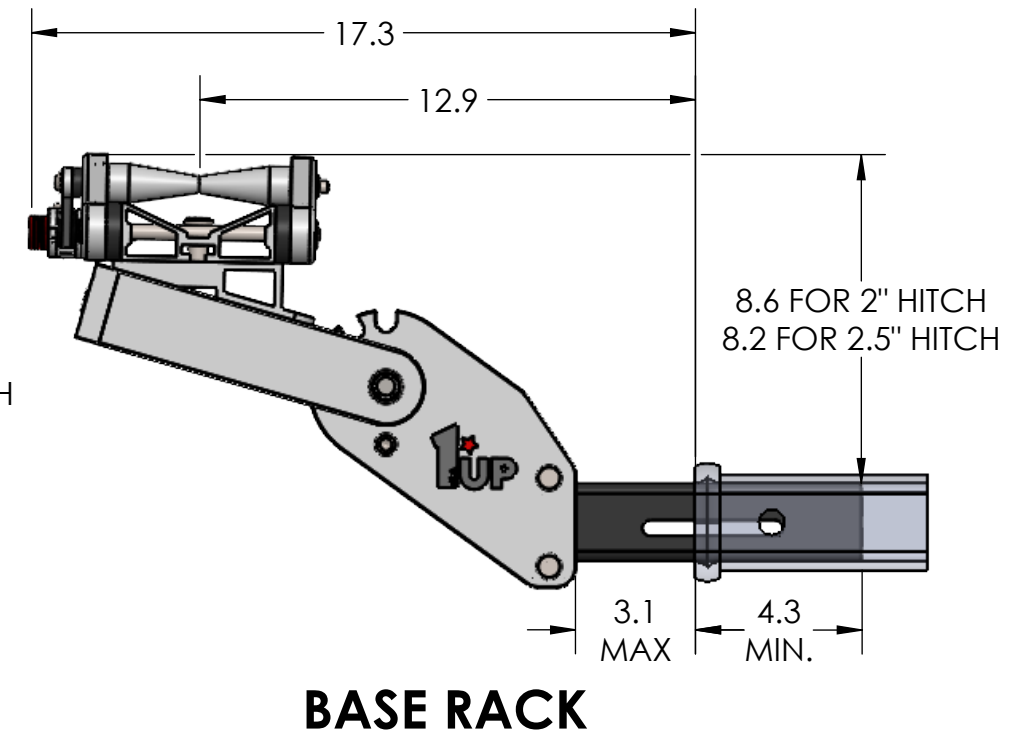


BASE RACK W/ TWO ADD-ONS

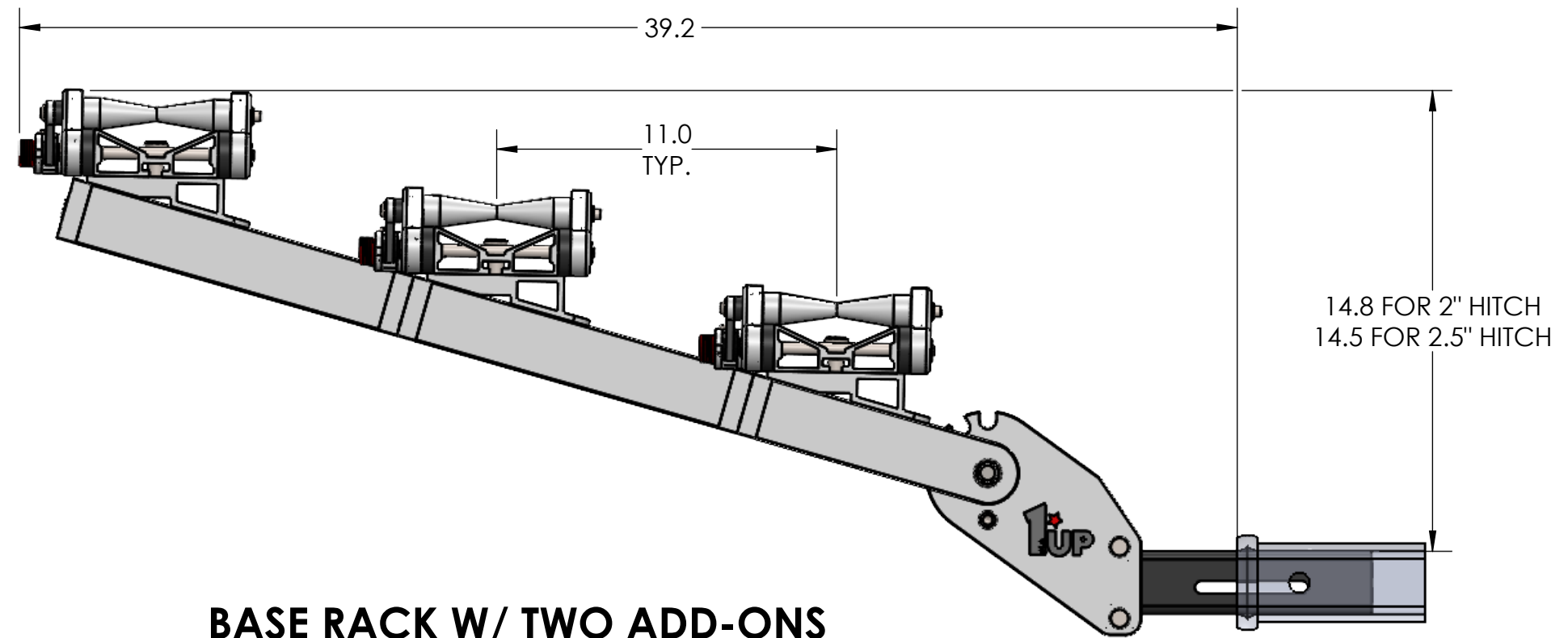
SUPER DUTY SINGLE - RIDE POSITION



BASE RACK W/ ONE ADD-ON

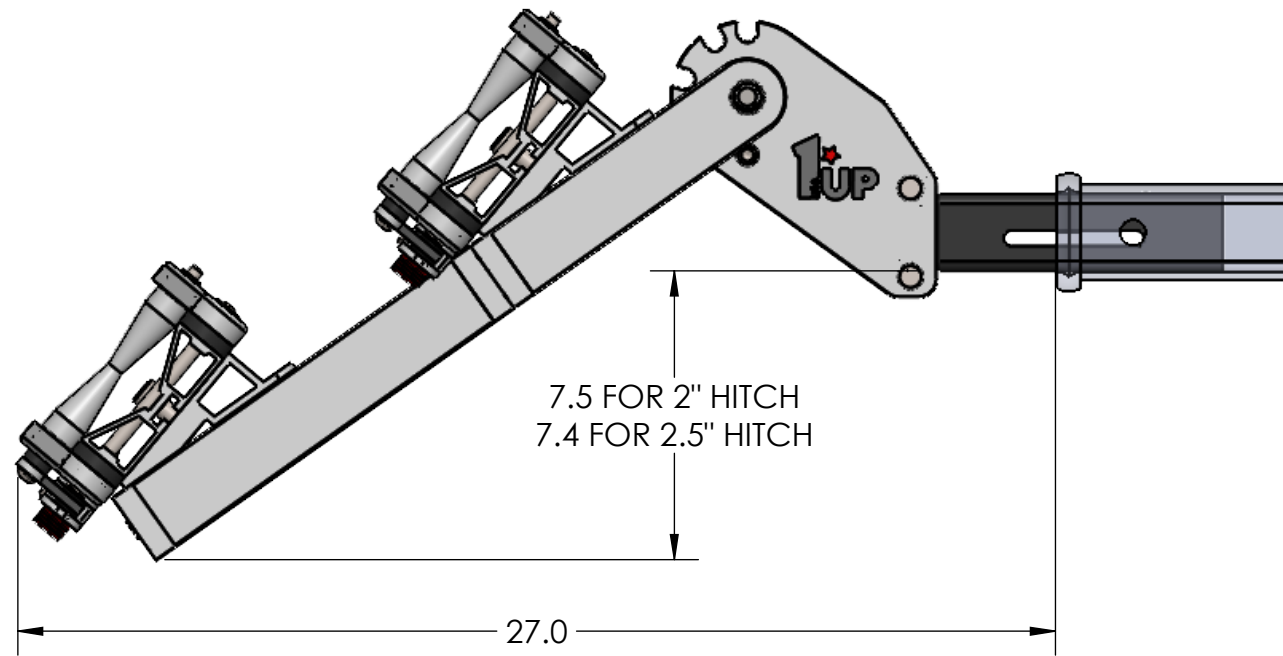


BASE RACK

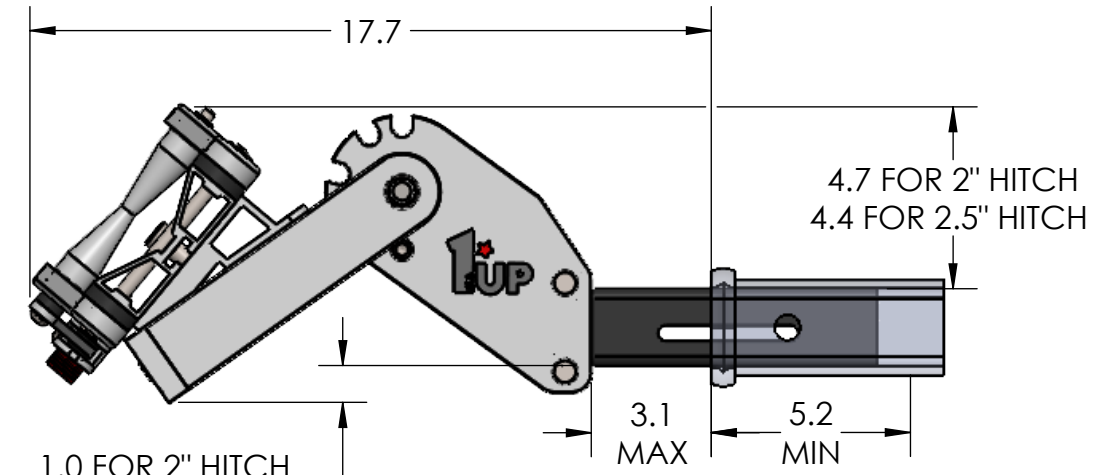


BASE RACK W/ TWO ADD-ONS

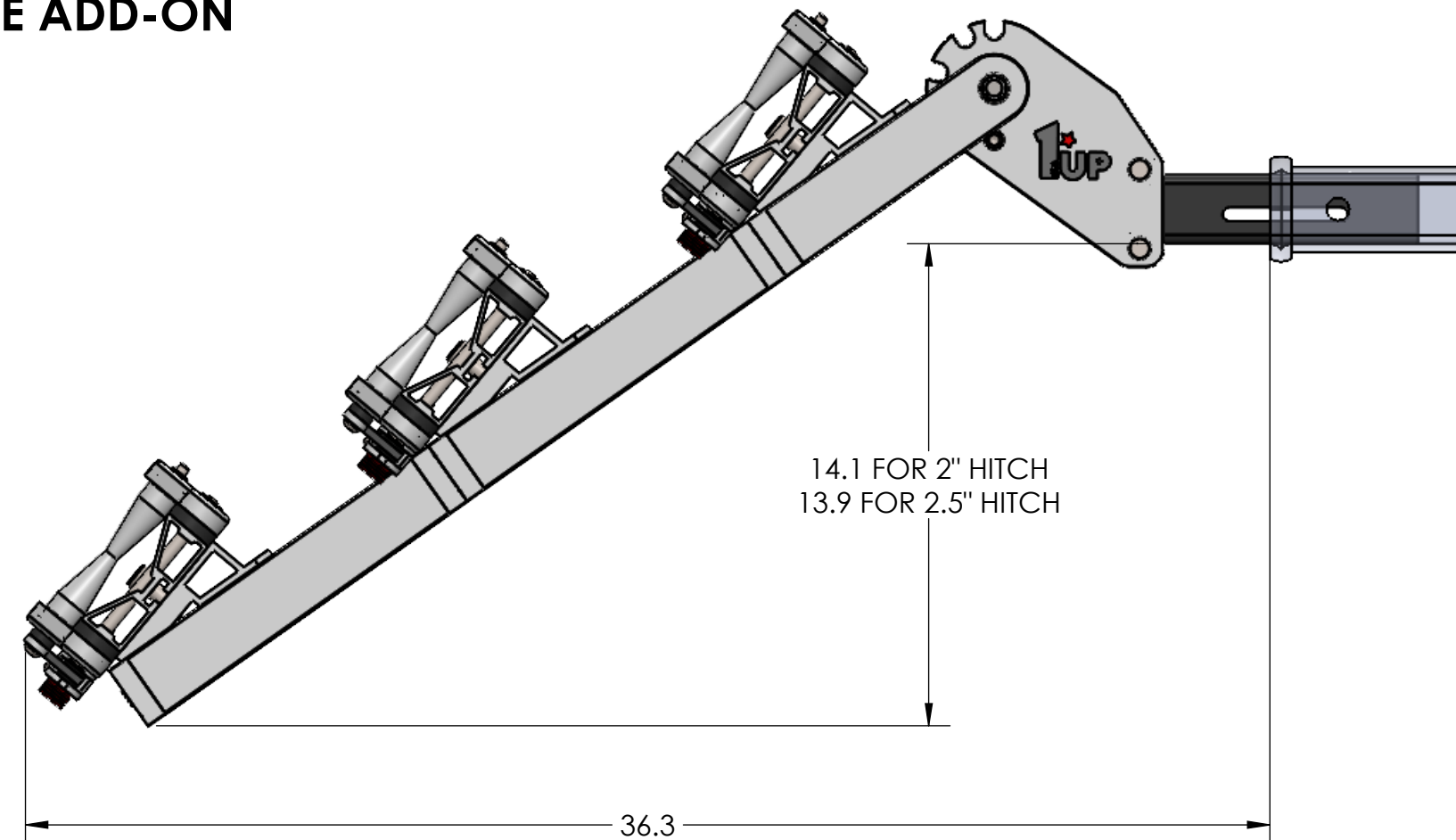
SUPER DUTY SINGLE - DOWN POSITION



BASE RACK W/ ONE ADD-ON

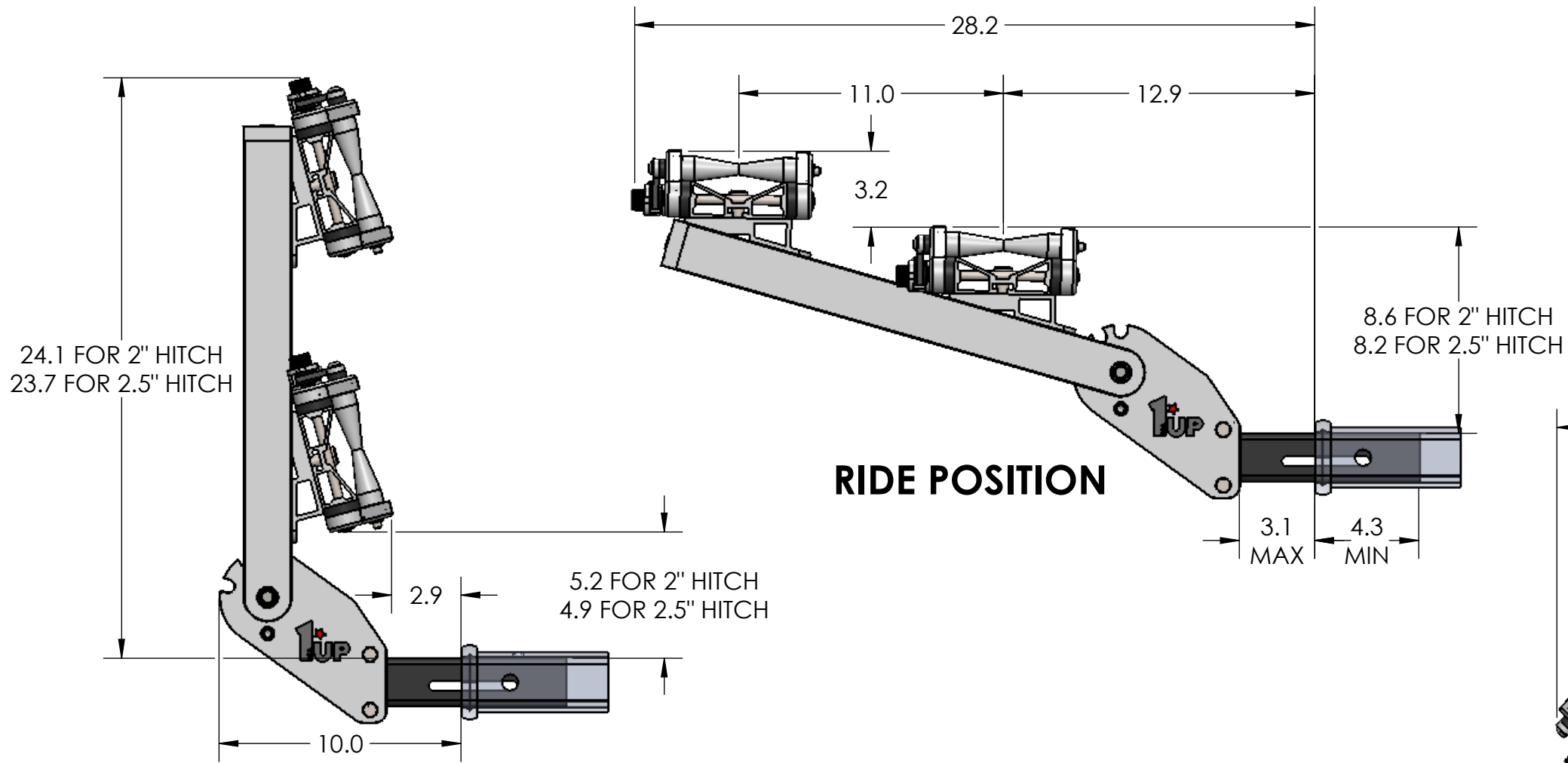


BASE RACK



BASE RACK W/ TWO ADD-ONS

SUPER DUTY DOUBLE



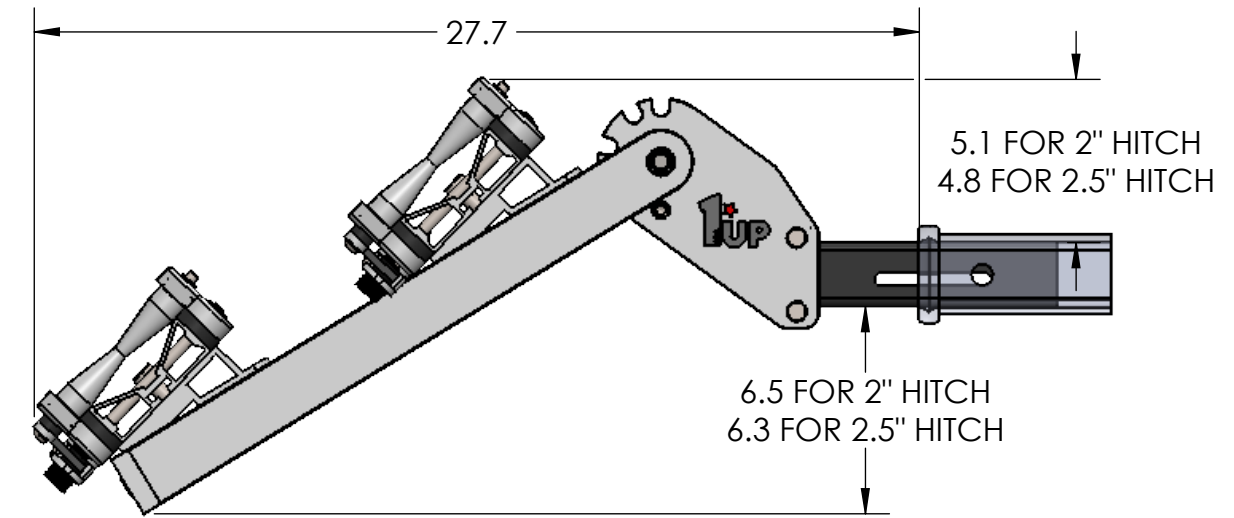
24.1 FOR 2" HITCH
23.7 FOR 2.5" HITCH

8.6 FOR 2" HITCH
8.2 FOR 2.5" HITCH

3.1 MAX
4.3 MIN

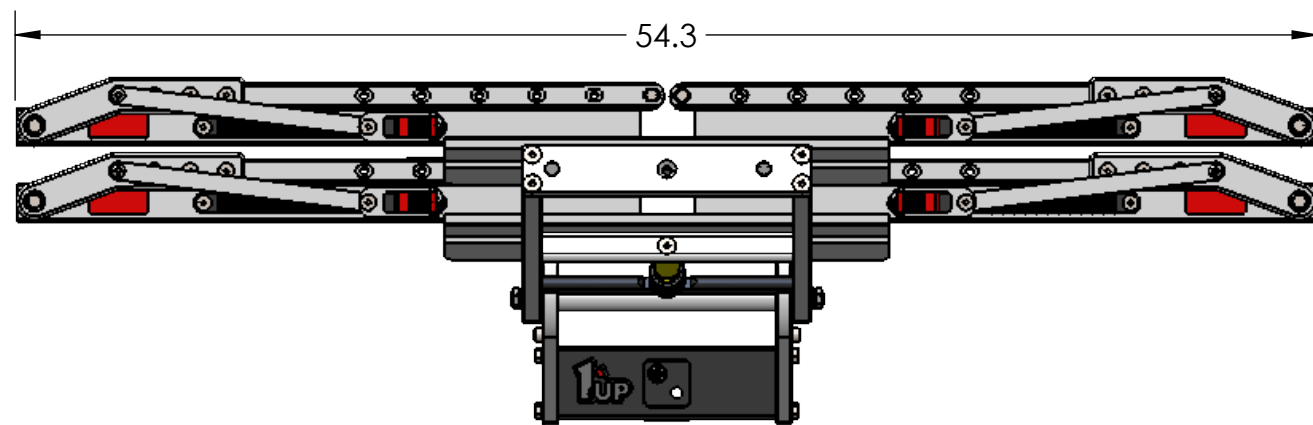
5.2 FOR 2" HITCH
4.9 FOR 2.5" HITCH

STORAGE POSITION

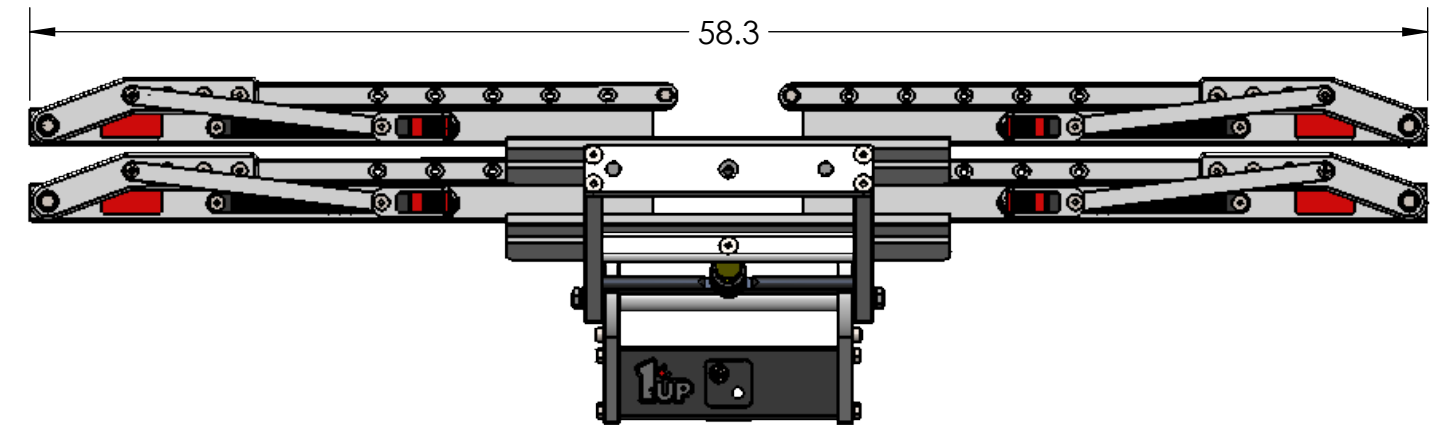


5.1 FOR 2" HITCH
4.8 FOR 2.5" HITCH

6.5 FOR 2" HITCH
6.3 FOR 2.5" HITCH

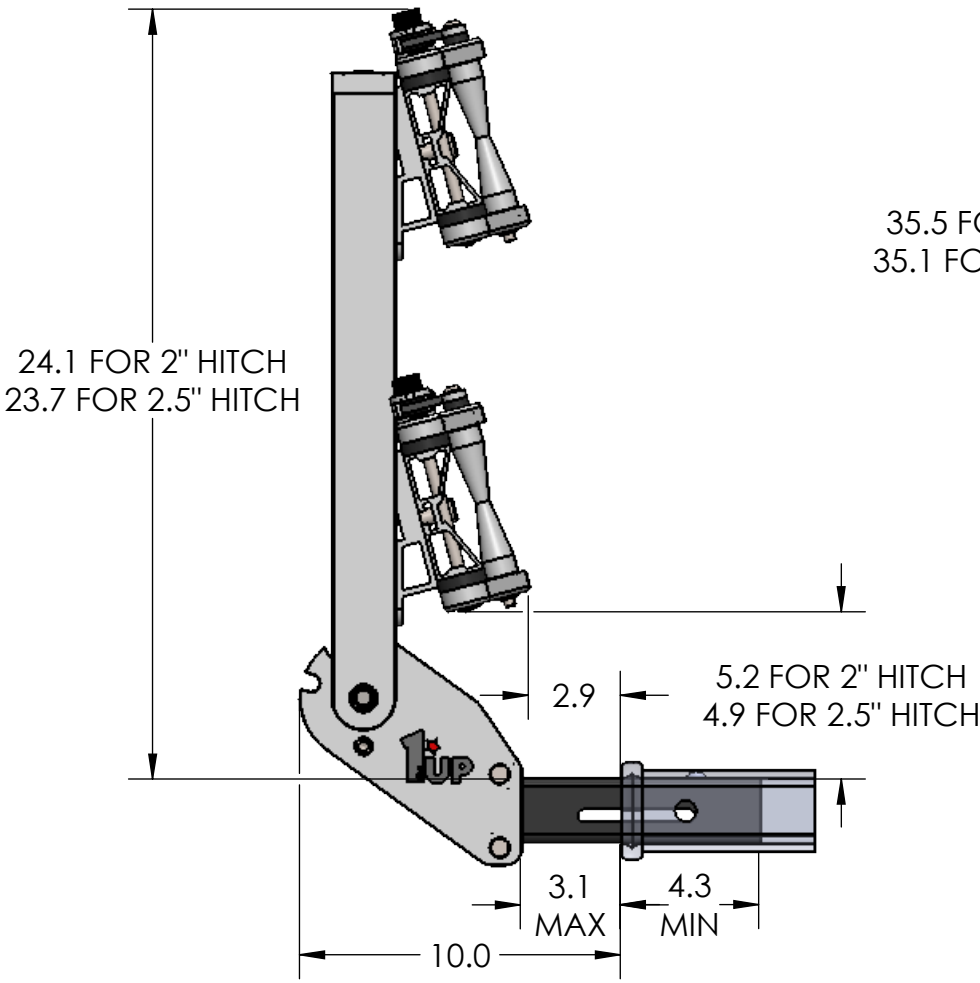


OVERALL WIDTH

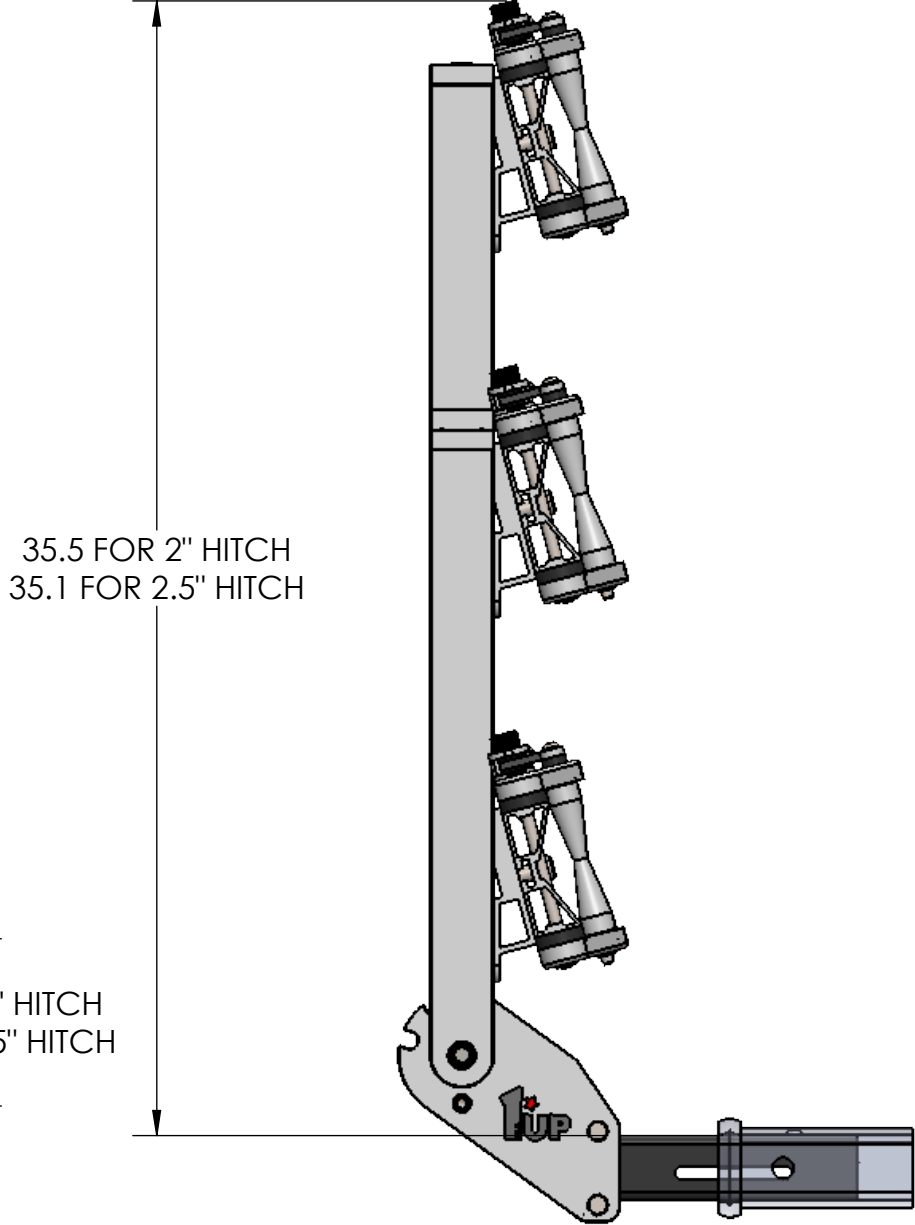


OVERALL WIDTH-WIDE POSITION

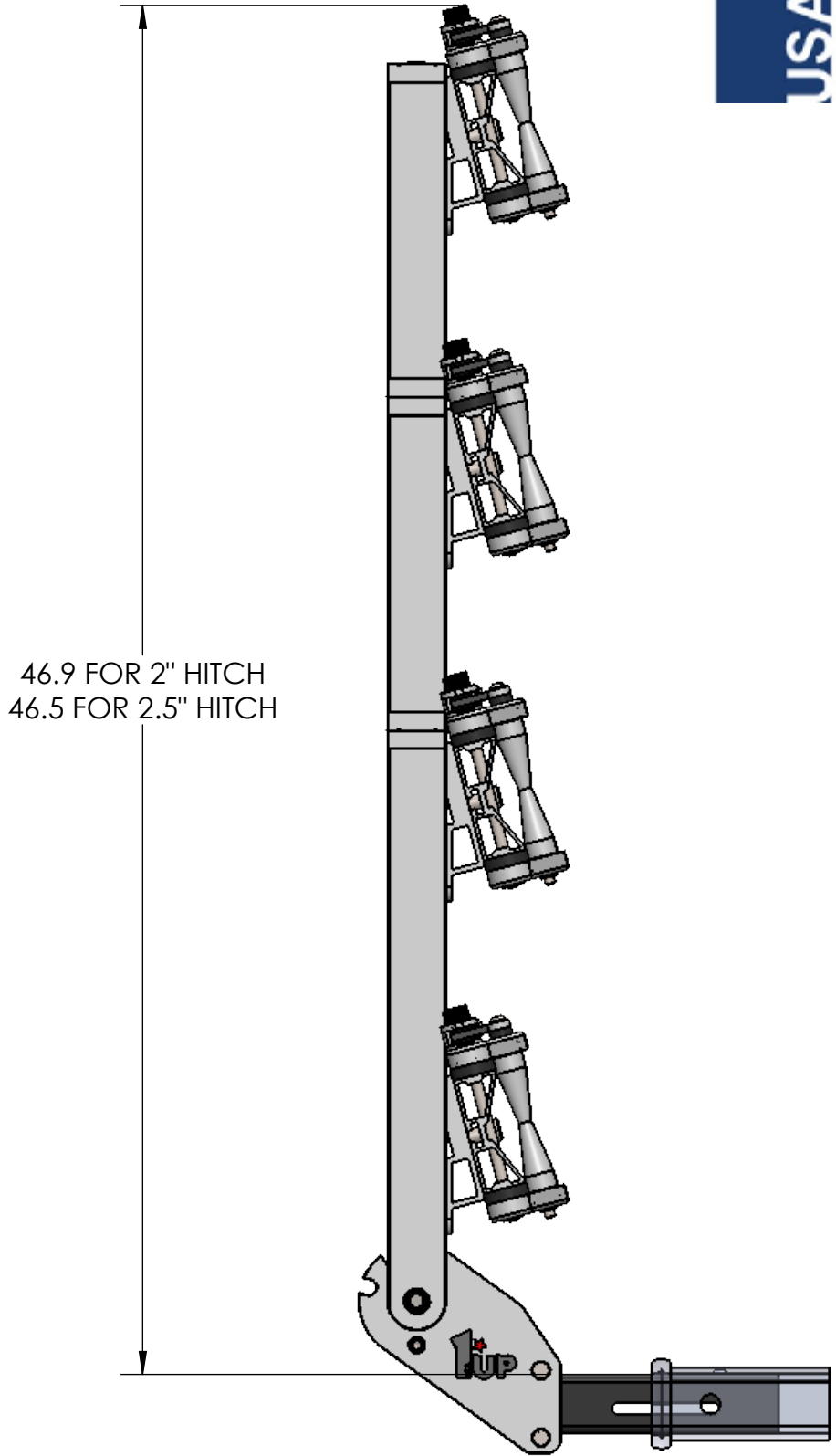
SUPER DUTY DOUBLE - STORAGE POSITION



BASE RACK

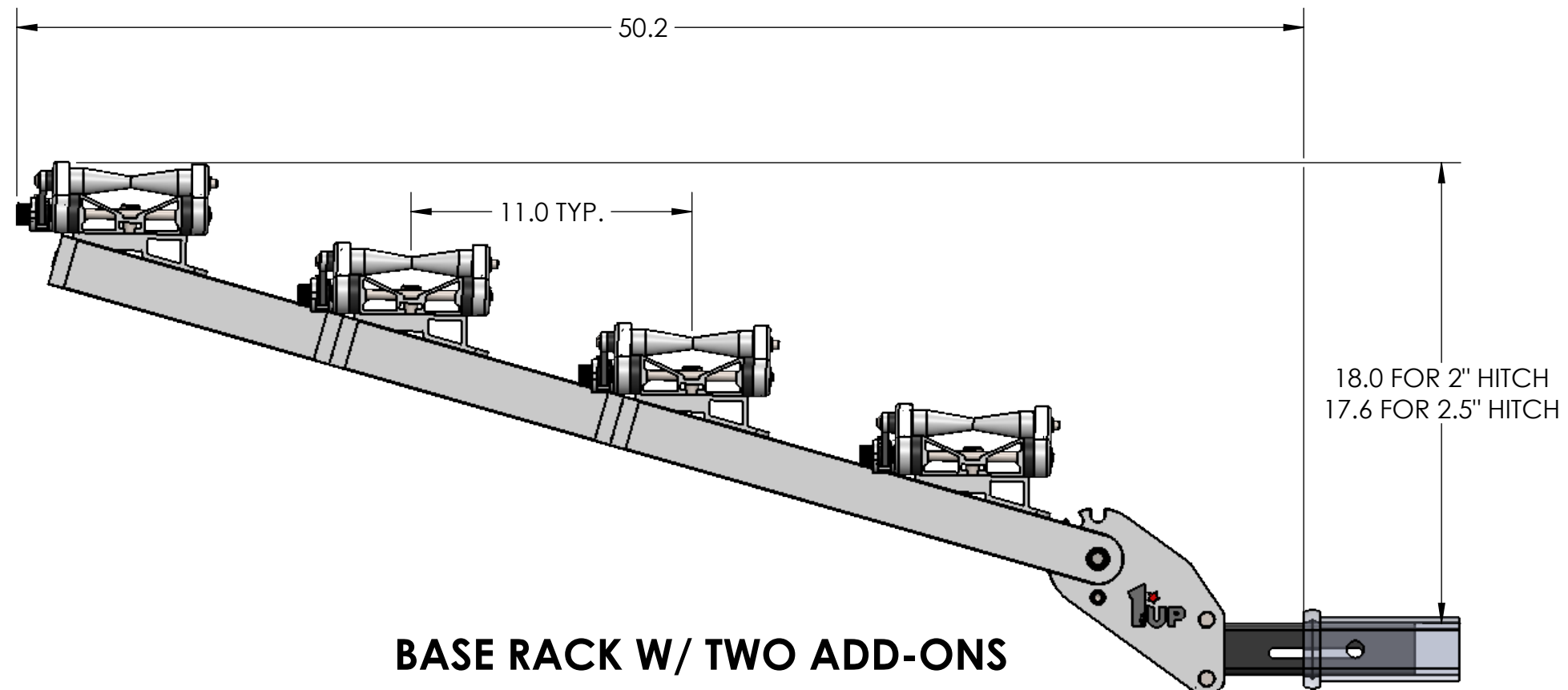
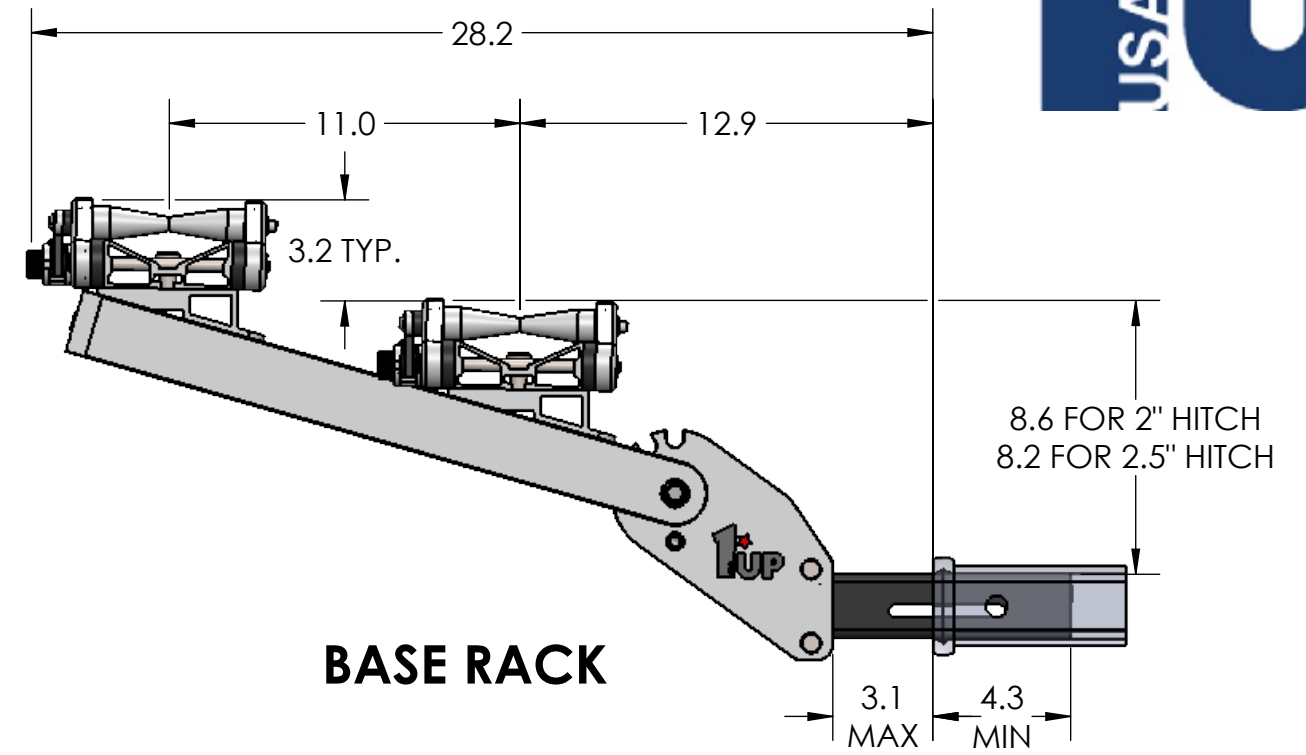
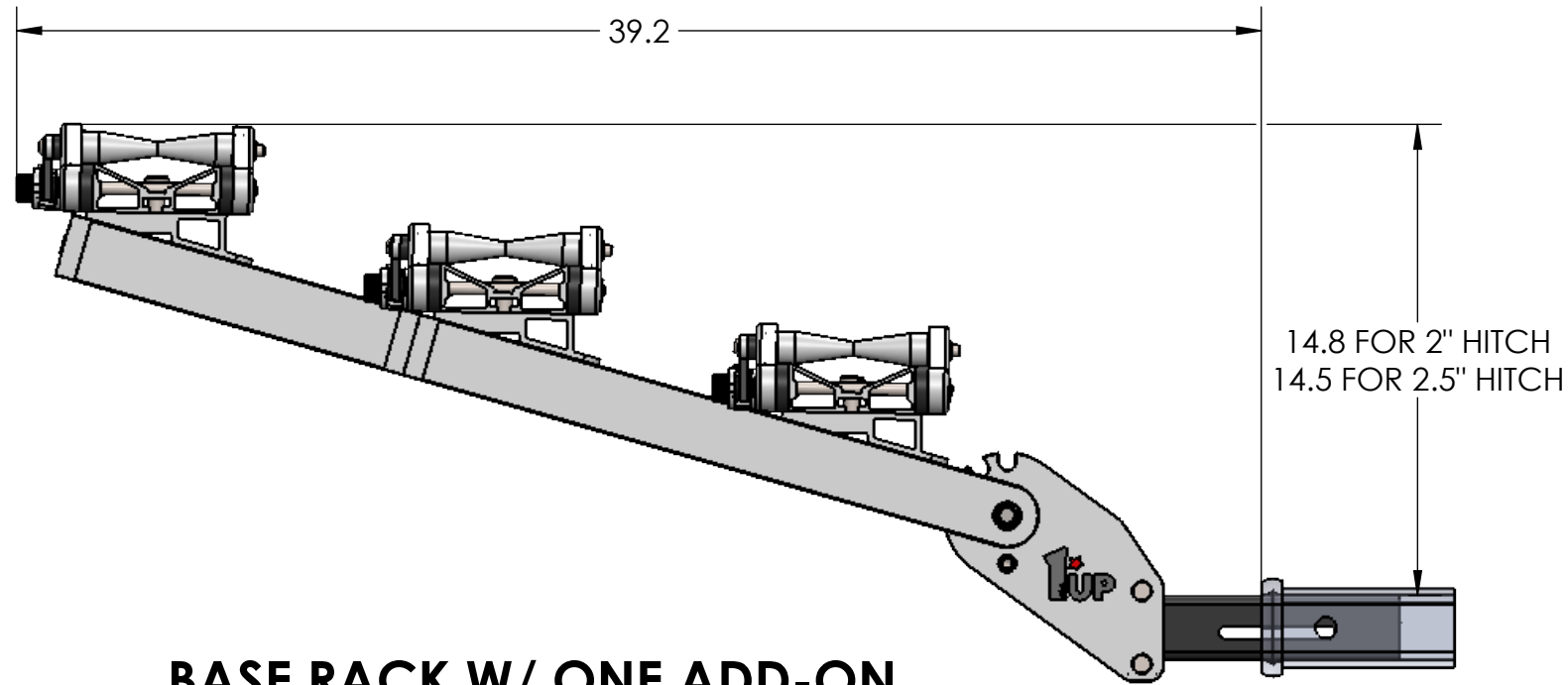


BASE RACK W/ ONE ADD-ON

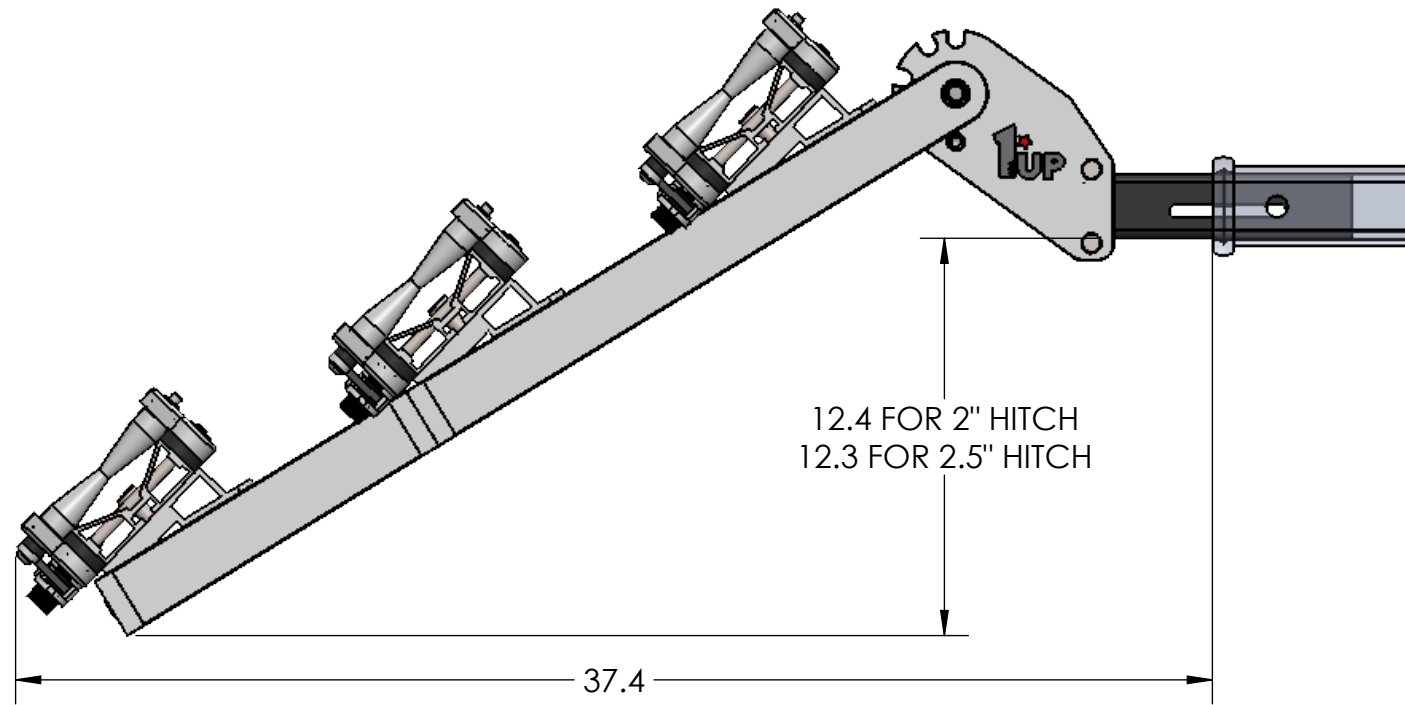


BASE RACK W/ TWO ADD-ONS

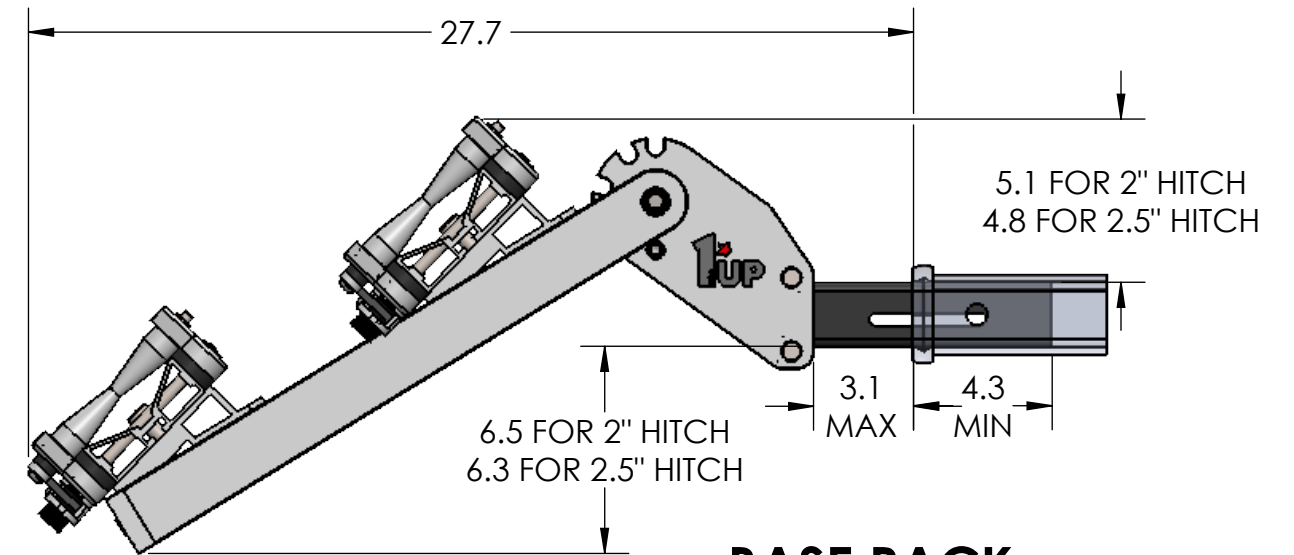
SUPER DUTY DOUBLE - RIDE POSITION



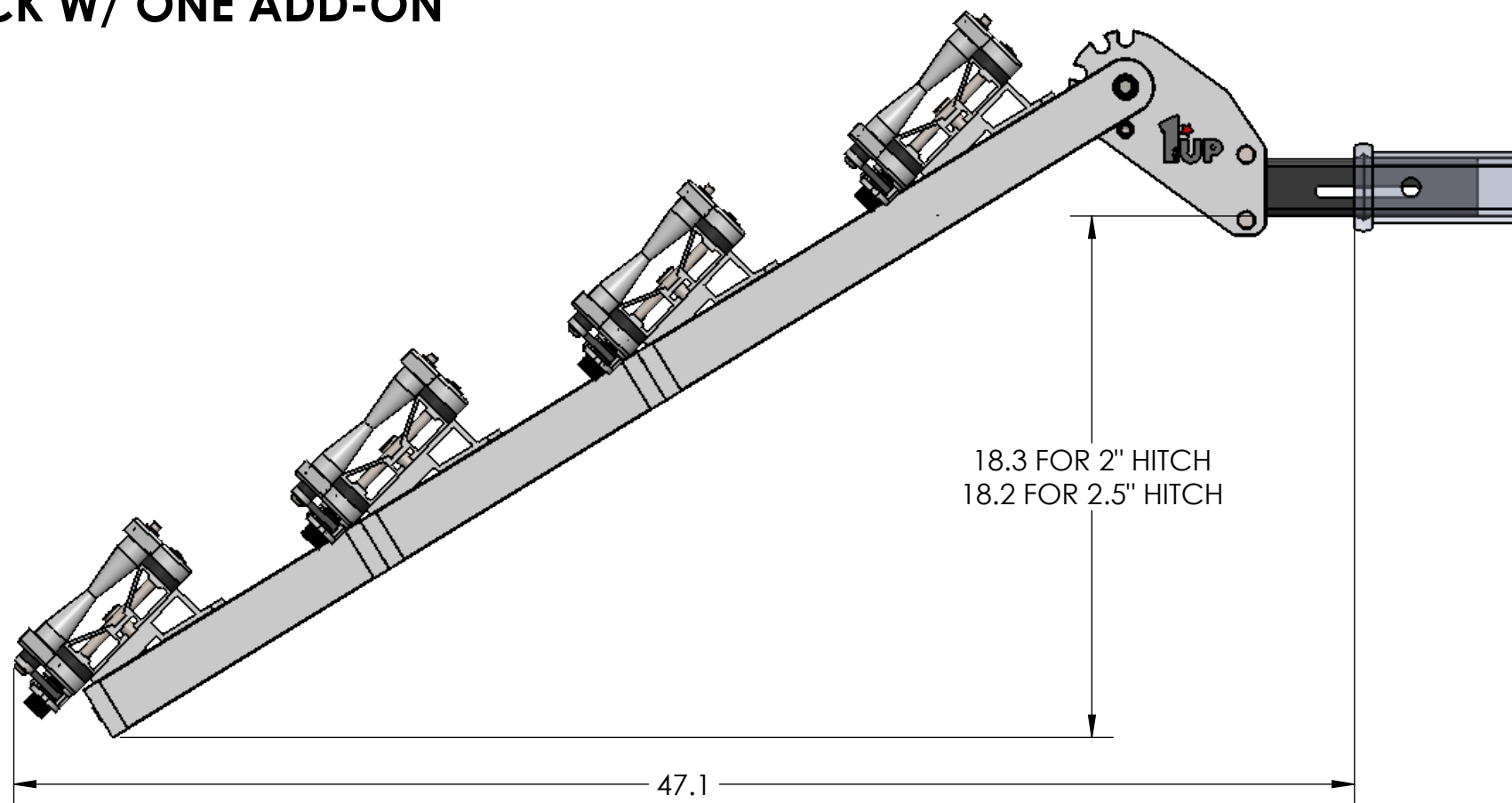
SUPER DUTY DOUBLE - DOWN POSITION



BASE RACK W/ ONE ADD-ON



BASE RACK



BASE RACK W/ TWO ADD-ONS