

In the Box:

- RakAttach Roof Rack Bracket
- Hardware Packet
- 3/16" Allen Wrench

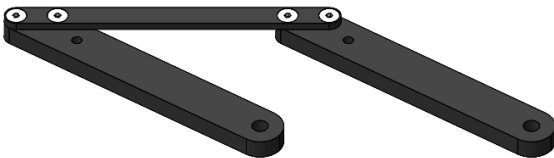
Tools Required:

- 1/2" Socket
- 1/2" Wrench
- 5/8" Wrench

Step 1:

- Install Support onto Brackets using supplied 5/16-18 Flat Heads and 3/16" Allen Wrench.

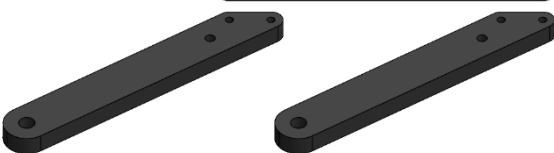
Note: *Assembly is direction specific, build according to RakAttach swing orientation.*



Driver

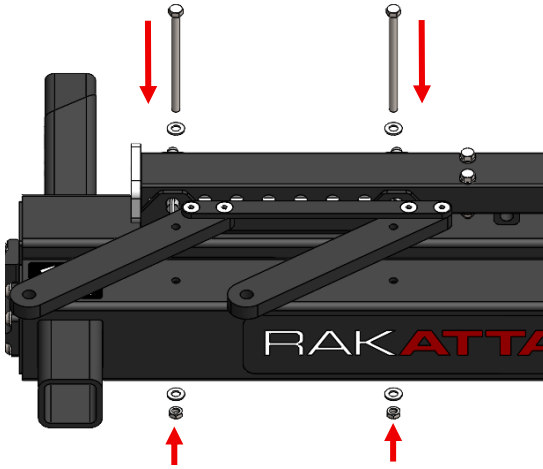


Passenger



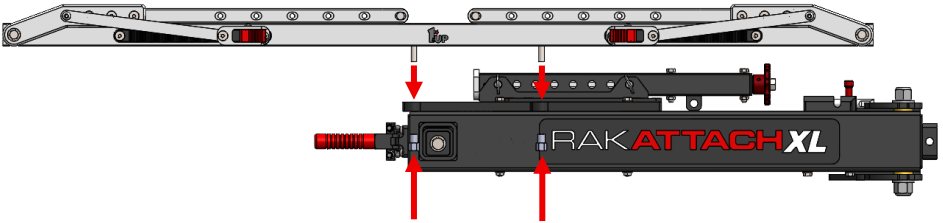
Step 2:

- Install Bracket assembly onto RakAttach Swing Arm using supplied 5/16-18 Hex Bolts, 5/16" Washers and 5/16-18 Nylock Nuts.
- Tighten using 1/2" Socket and Wrench.



Step 3:

- Insert 3/8-16 Carriage Bolts into Tray slot.
- Align bolts with holes in Bracket and thread Low Clearance Nuts onto bolts.
- Center Tray above RakAttach Receiver.
- Tighten Low Clearance Nuts with 5/8" Wrench.



Additional Instructions

- Remove road debris off nuts and bolts to prevent corrosion.
- Inspect hardware on Accessory periodically to ensure proper working conditions.
- Certain car wash chemicals may damage Accessory finish. Please use caution when cleaning vehicle and/or Accessory.

Questions or comments? Contact our support team via email at email@1up-usa.com