



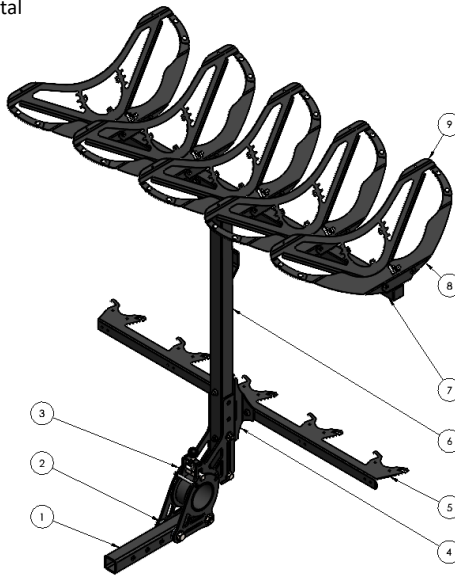
For additional info including video instructions, detailed weight ratings, and more, scan the code.



RECON RACK

Parts List

- | | |
|--------------------------------------|---------------------------|
| 1) 2" Hitch Bar | 6) Vertical Tube Weldment |
| 2) Side Plate Spacer | 7) Upper Horizontal |
| 3) Side Plate Assembly | 8) Wheel Basket Top |
| 4) Lower Horizontal Mounting Bracket | 9) Wheel Basket Bottom |
| 5) Lower Horizontal | |



In the Box:

- Hardware Bag
- (4) Side Plate Spacers
- Anti-Wobble Bracket, Pin, Washer and Lock
- Instructions and Cinch Straps

Tools Required:

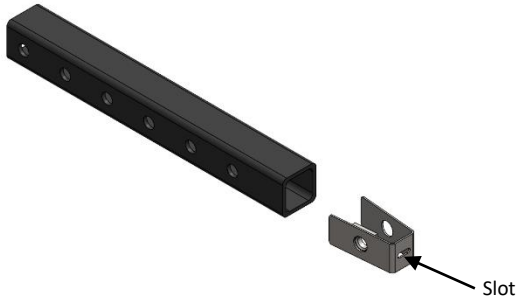
- 7/16" Socket/Ratchet or Wrench
- 1/2" Socket and Wrench
- 9/16" Socket and Wrench
- 15/16" Socket and Wrench

Product Notes:

- Standard Wheel Baskets hold 20"-29" wheels, and up to 3" diameter tires.

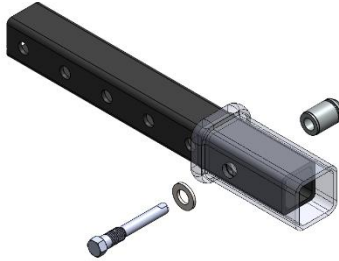
Step 1:

- Insert Anti-Wobble Bracket into 2" Hitch Bar. Anti-Wobble Bracket to insert into end of hitch bar with holes furthest from end. Pay attention to the side of welded nut.
- Slot of Bracket goes in last. Slot used for inserting flat head screwdriver to remove or adjust depth.



Step 2:

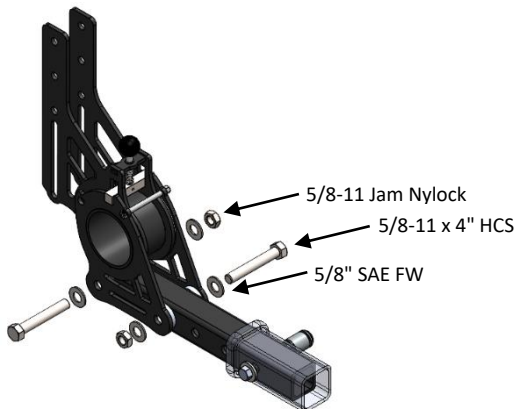
- Insert 2" Hitch Bar into receiver of vehicle to desired depth.
- Align receiver hitch pin hole with desired hole of 2" Hitch Bar and Anti Wobble Bracket. Insert and tighten supplied Hex Anti-Wobble Pin and Washer (same side as welded nut) using 3/4" wrench.



- Install lock onto end of pin by spinning key clockwise. When pin bottoms out in lock, remove key.

Step 3:

- Insert Side Plate Spacers between Side Plate Assembly and 2" Receiver Tube.
- Place washer onto each bolt. Insert bolts, alternating insertion directions. See below for part orientation.

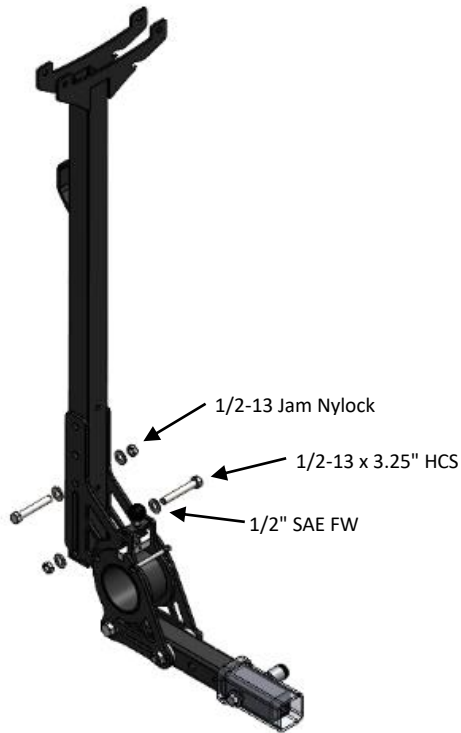


Step 4:

- Fasten bolts until snug but not tight.
- Check to ensure latch moves freely.
- If so, tighten bolts completely.
- If latch does not move freely, tap on latch lightly with a small hammer.
- When latch moves freely tighten bolts.

Step 5:

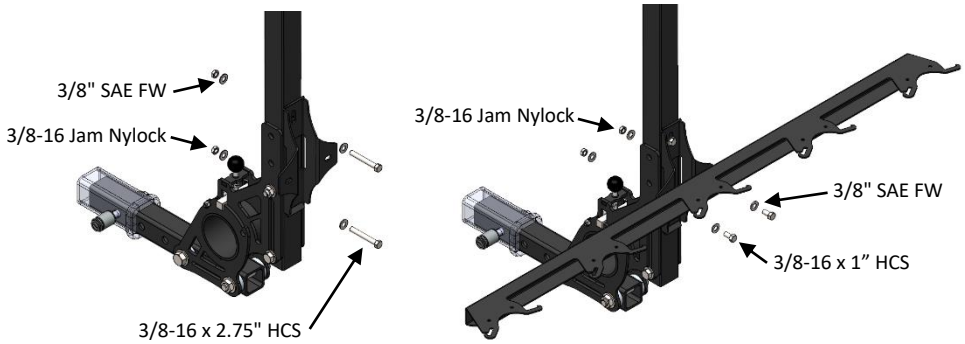
- Install Vertical Tube Weldment, 1 Up decal and Lock Loop to face away from vehicle.
- Suggested mounting location to use middle hole, use other mounting locations when receiver on vehicle is obviously high or obviously low.
- Place washer onto each bolt. Insert bolts, alternating insertion directions. See below for part orientation.



- To adjust rack height, loosen lower bolt, remove top bolt, adjust to desired position, reinstall top bolt and tighten lower bolt.

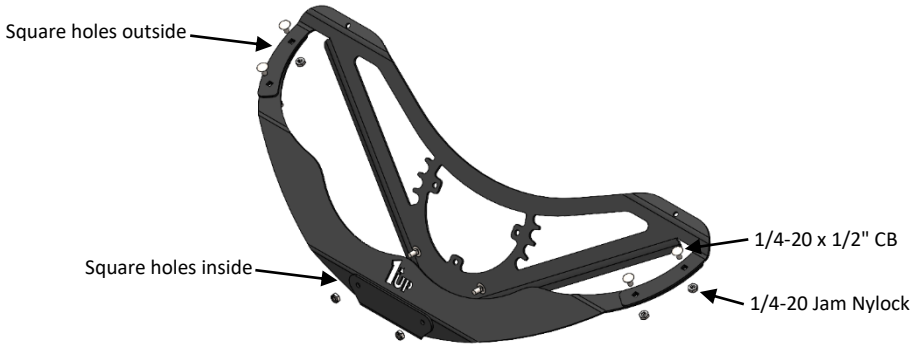
Step 6:

- Attach Lower Horizontal Mounting bracket to Vertical Tube using provided hardware.
- Pay attention to orientation of Bracket. Long side needs to be up.
- Insert bolt through slots of bracket.
- Adjust bracket to desired location, tighten bolts firmly.
- Attach lower horizontal to bracket using provided hardware. See below for part orientation.



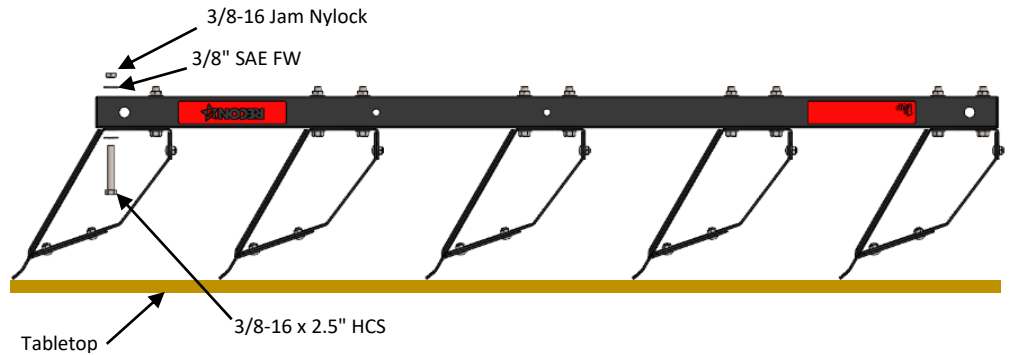
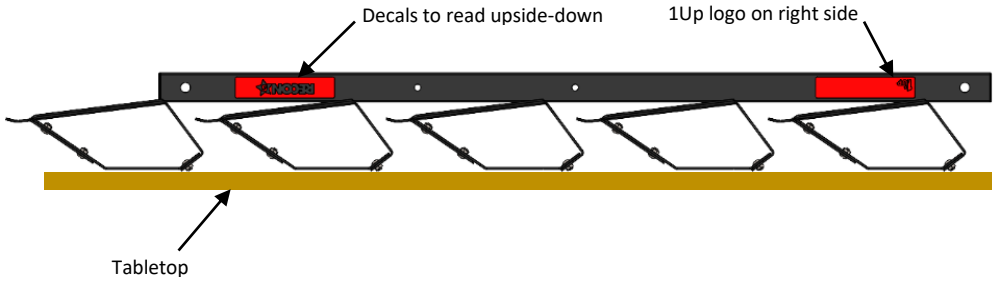
Step 7:

- Basket Top to nest inside of Basket Bottom, note square hole locations.
- Carriage bolts near 1 Up logo are to insert from inside of Wheel Baskets.
- Square of carriage bolt to seat in square of Wheel Baskets.



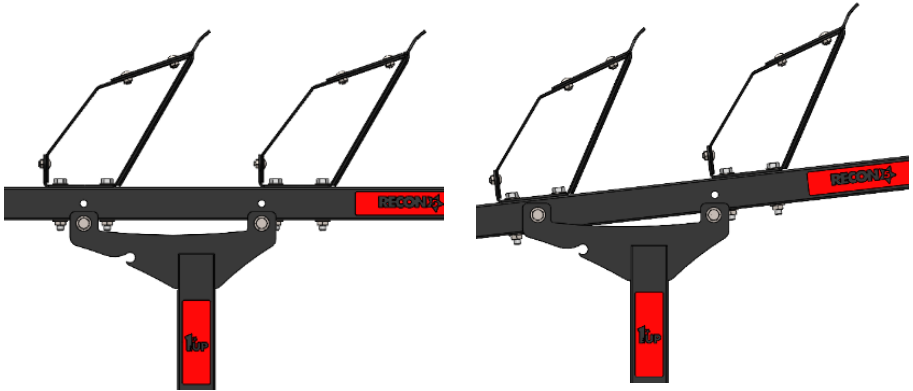
Step 8:

- After all baskets have been assembled, place them face down on a nonabrasive surface.
- Mounting holes on Upper Horizontal are offset, 1Up decal to be on driver side of vehicle. 1Up logo of Wheel Baskets to face 1Up decal on Upper Horizontal.
- Use provided hardware to attach Wheel Baskets to Upper Horizontal.



Step 9:

- Insert 3/8-16 x 2.75" HCS through 3/8" SAE FW and mounting holes at top of Vertical Tube.
- Place completed upper horizontal basket assembly on top of bolts.
- Lift one side of upper horizontal basket assembly, pull bolt out and align mounting holes, reinsert bolt. Repeat for other side.
- Insert 3/8" SAE FW and thread 3/8-16 Jam Nylock onto bolts.
- Tighten bolts until there is no longer a gap between mounting plates and Upper Horizontal Tube.



Cinch Strap Usage

- Slide end of webbing through cam buckle, creating a large loop.
- Place loop over pedal, cam buckle to be located just under the pedal and is to be facing operator.
- Insert webbing through wheel near lower horizontal.
- Weave webbing into left side of lower horizontal, then place webbing underneath tab of lower horizontal on right side of tire.
- Pull end of cinch strap to secure.



Pivoting the Rack

- Pull Black knob on Side Plate Assembly until square key disengages with side plates.
- Lean Rack forward until square key hits flat of side plates.
- To adjust rack back into Ride position simply push vertical tube up until square key clicks into position.

Additional Instructions

- Remove road debris off nuts and bolts to prevent corrosion.
- Inspect hardware on Rack periodically to ensure proper working conditions.
- Certain car wash chemicals may damage finish. Please use caution when cleaning vehicle and/or Rack.

Questions or comments? Contact our support team via email at email@1up-usa.com