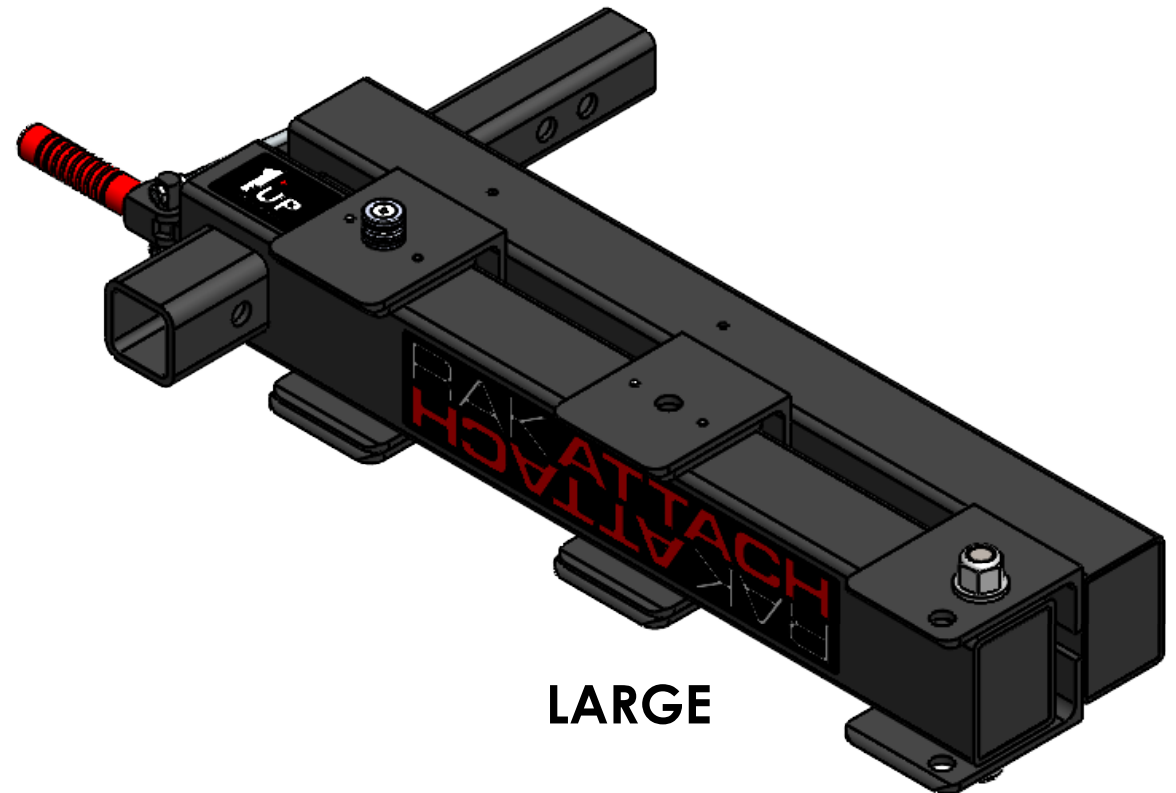
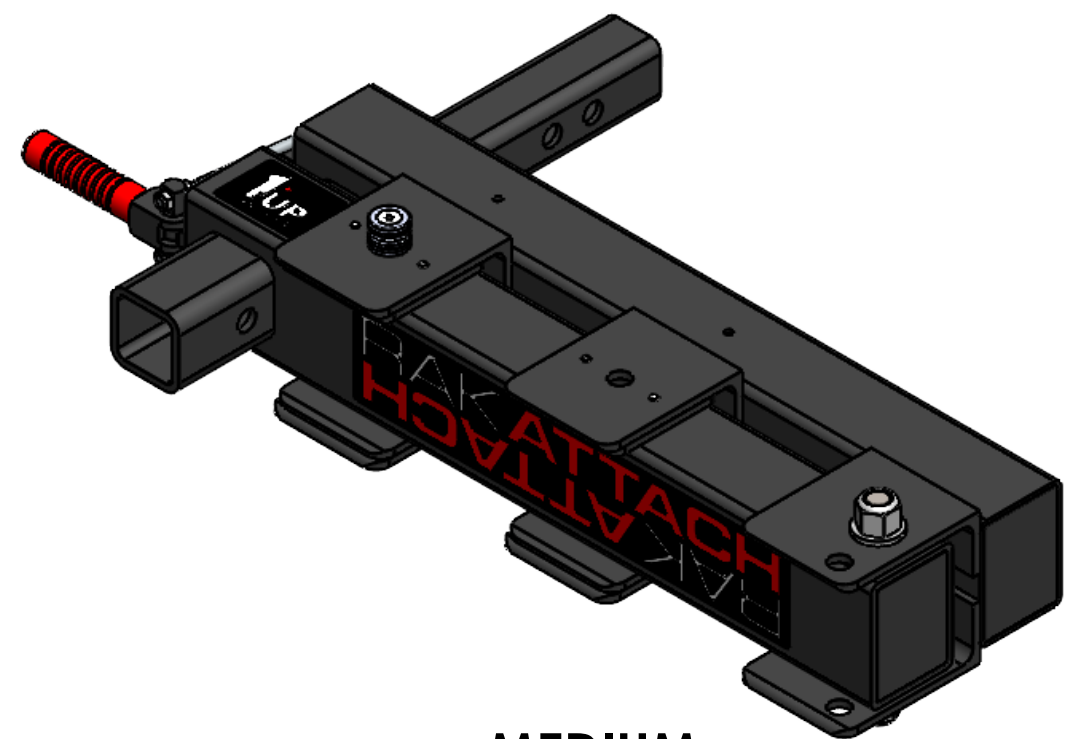


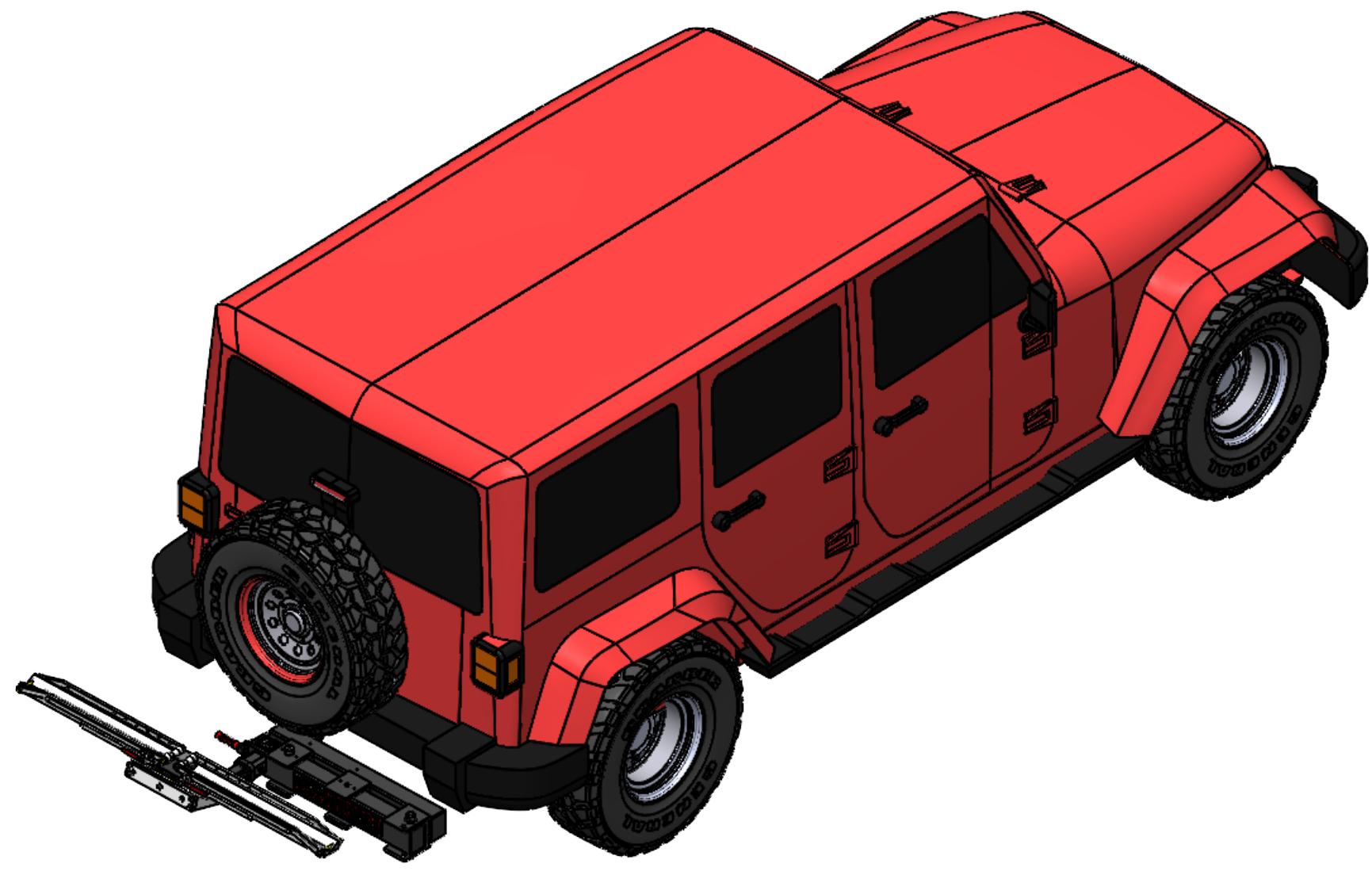
RAKATTACH 2.0 FITMENT



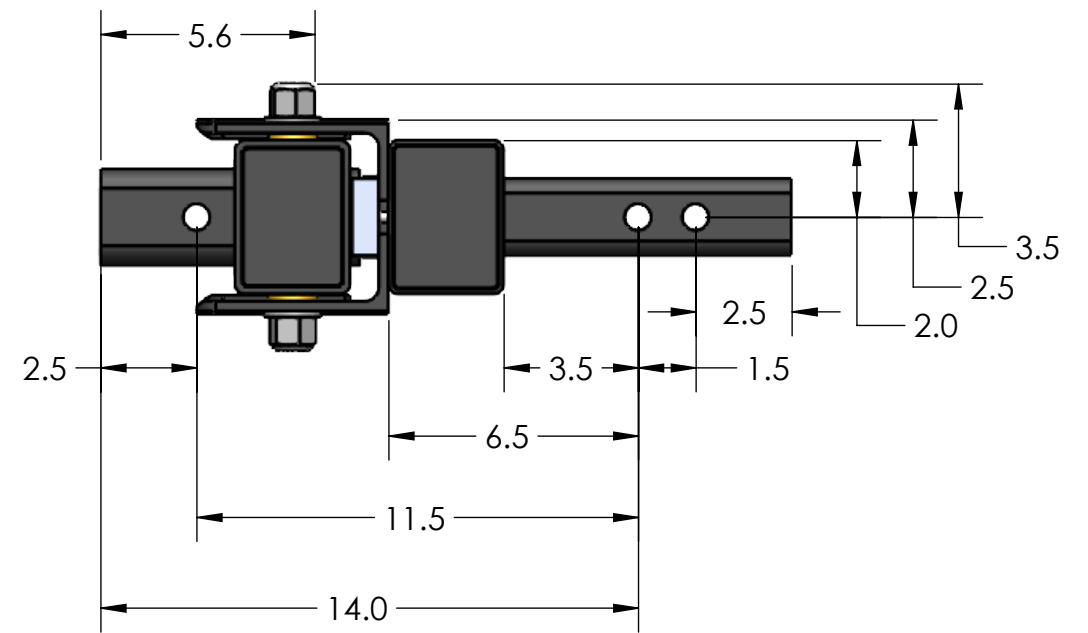
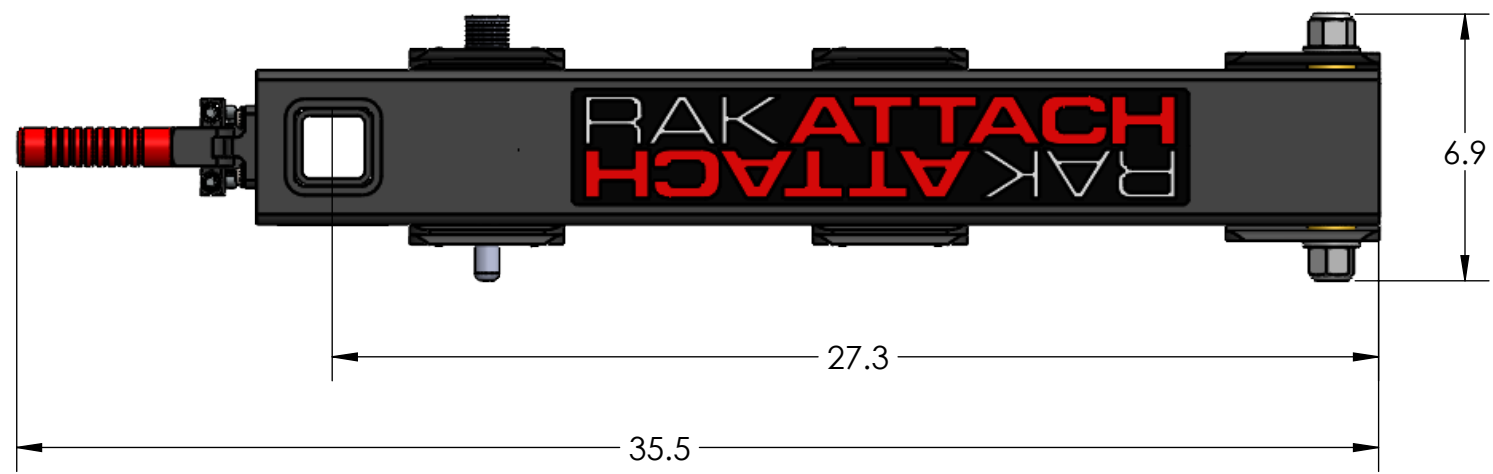
LARGE



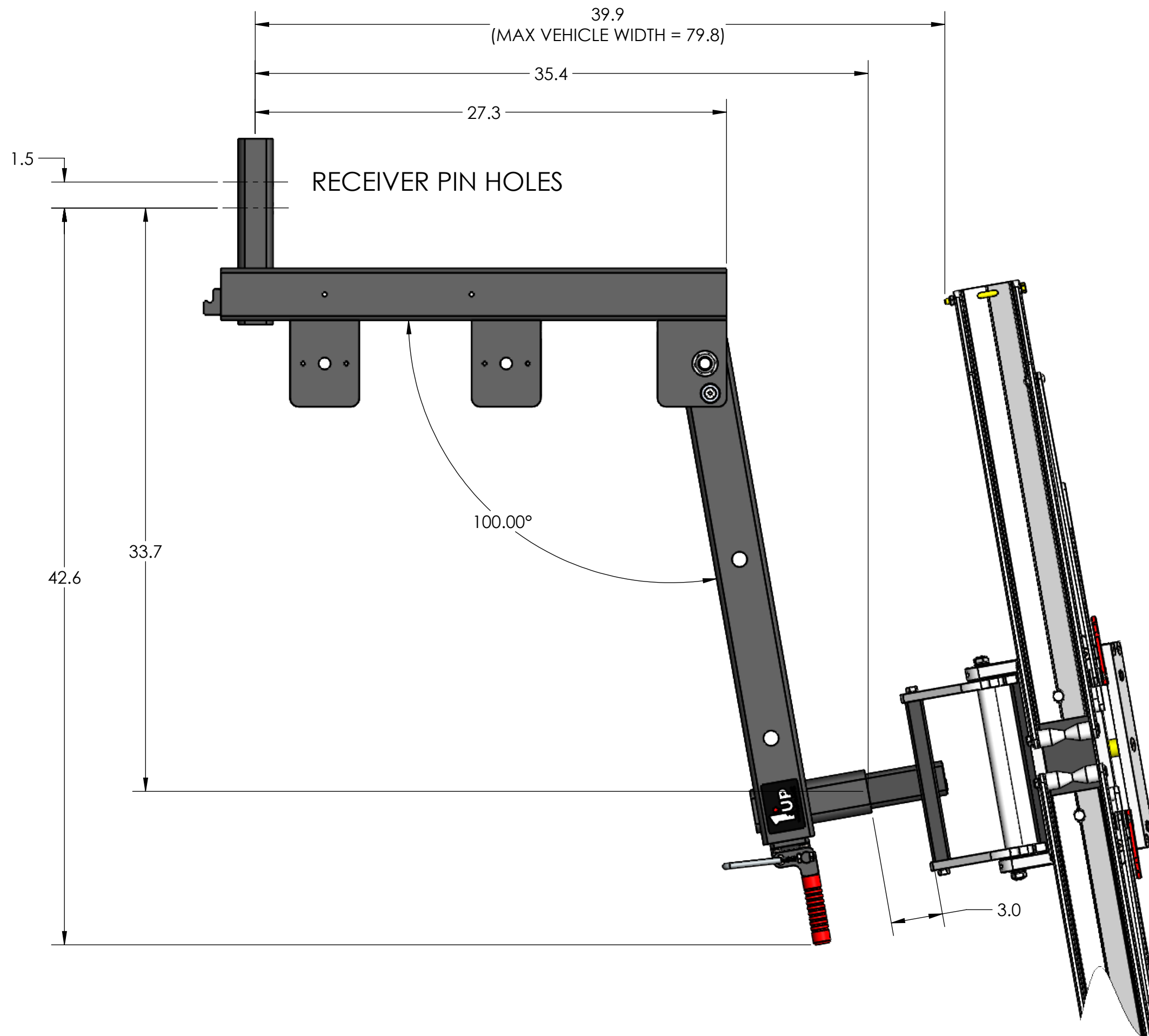
MEDIUM



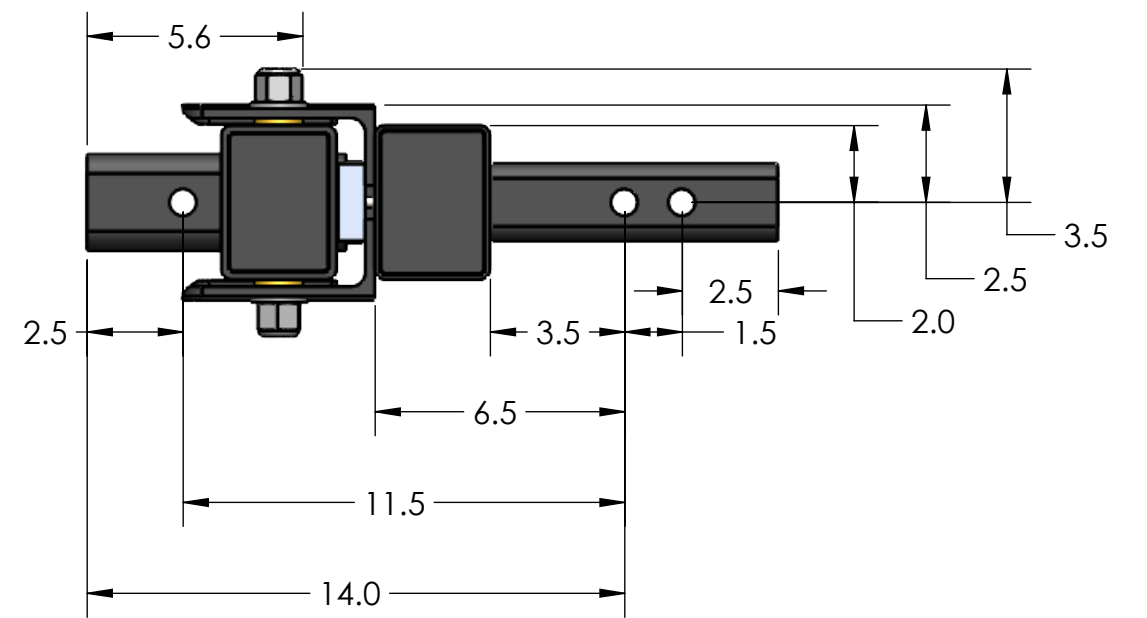
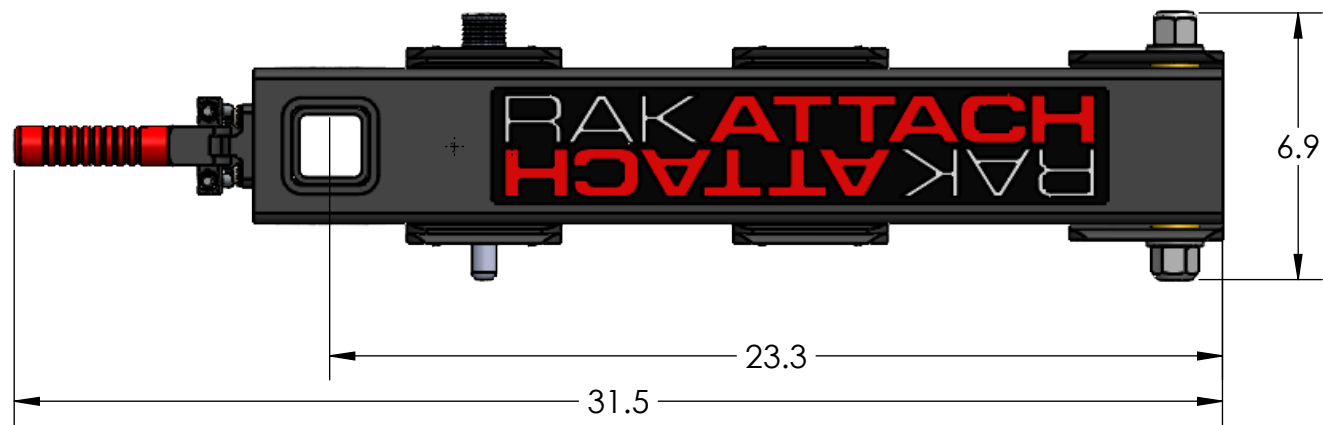
NOTE: UNIT CAN BE FLIPPED TO SWING TO PASSENGER OR DRIVER SIDE OF VEHICLE.



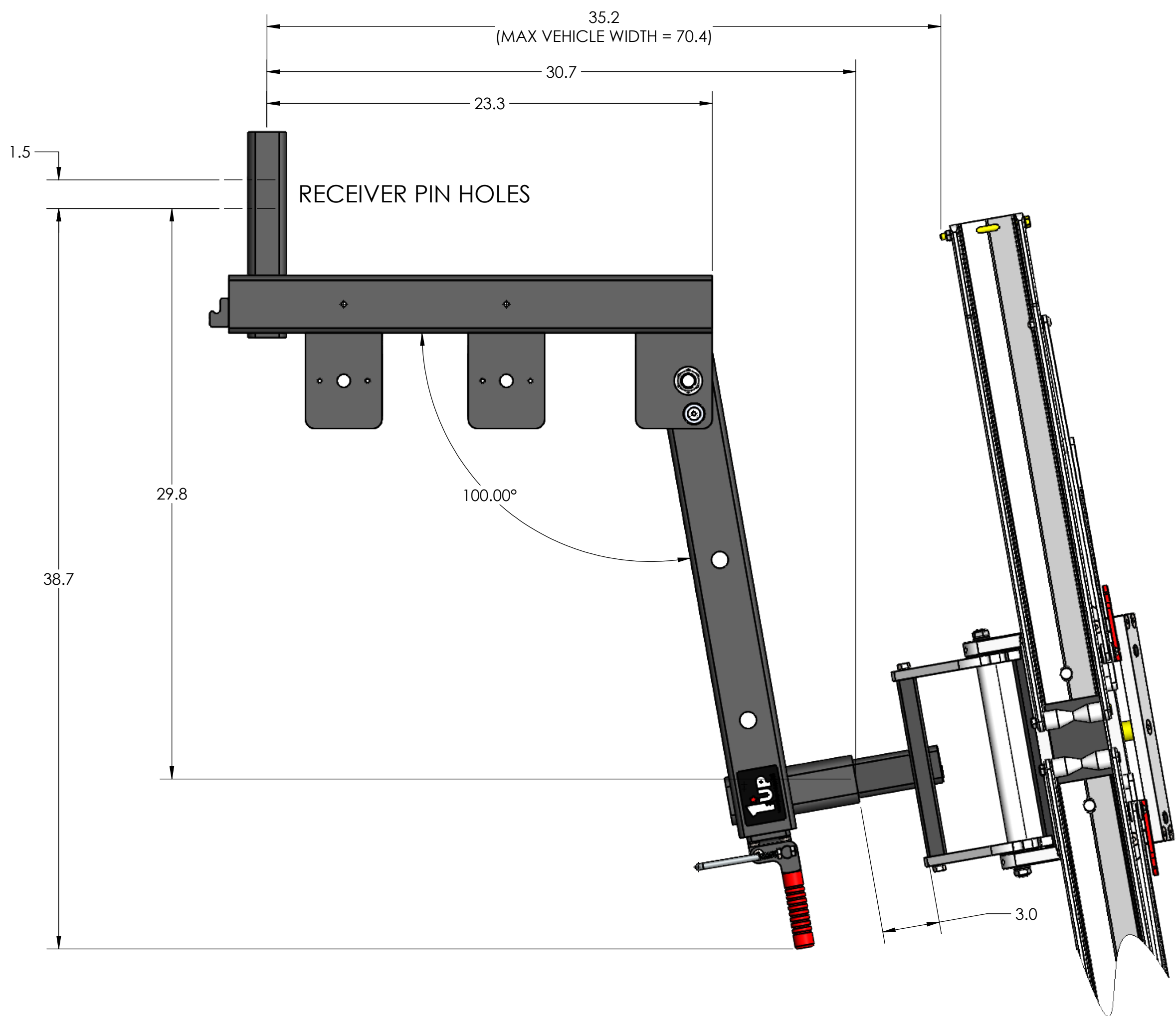
LARGE
ALL DIMENSIONS IN INCHES.



LARGE
ALL DIMENSIONS IN INCHES.



MEDIUM
ALL DIMENSIONS IN INCHES.



MEDIUM
ALL DIMENSIONS IN INCHES.