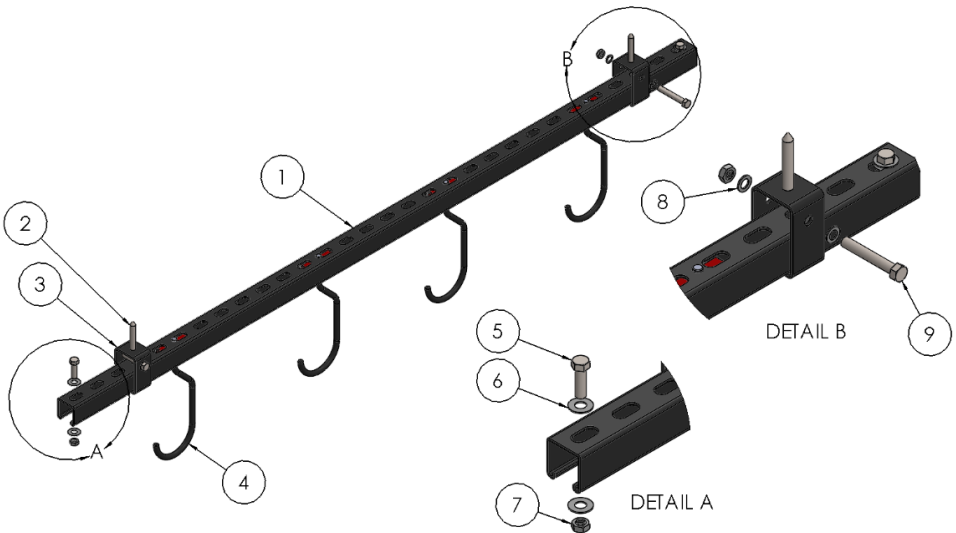


### Parts List

- |                                 |                                |
|---------------------------------|--------------------------------|
| 1) RS Slide Track               | 6) 3/8" Large OD Washer        |
| 2) 3/8" Wood Lag Screw          | 7) 3/8-16 Nylok Nut            |
| 3) RS Slide Bracket             | 8) 3/8" Small OD Washer        |
| 4) RS Slide Trolley Assembly    | 9) 3/8-16 x 2.5" Hex Cap Screw |
| 5) 3/8-16 x 1.25" Hex Cap Screw |                                |



### In the Box:

- (1) 5' RS Slide Track
- (2) RS Slide Brackets
- (4) RS Slide Trolley Assemblies
- (1) Trolley Stop Hardware Bag
- (1) Bracket Installation Hardware Bag

### Tools Required:

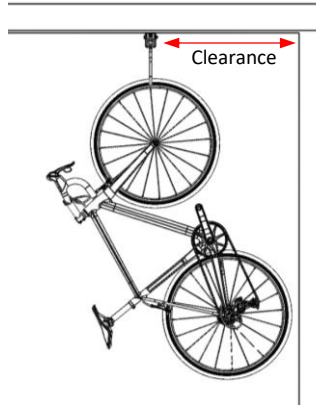
- Drill
- 9/16" Socket and Ratchet
- 9/16" Wrench
- 1/4" Drill Bit
- Tape Measure

### Product Notes:

- 50 lb per Trolley Assembly with six trolleys max per 5' section.
- Additional 5' sections, splice brackets and trolleys sold separately.
- RS Standard Slide Trolley Assembly to hold bikes with tires up to 3" wide.
- RS Large Slide Trolley Assembly to hold bikes with tires up to 5" wide.

## Step 1:

- Begin by finding ceiling location to hang RS Slide. Keep in mind bike will not hang straight down. Track should be located a minimum of half the diameter of the largest tire to be hung. This will not ensure that lower tire will not hit wall. If space permits, 30" of clearance will cover most bikes with wheelbases up to 50".



## Step 2:

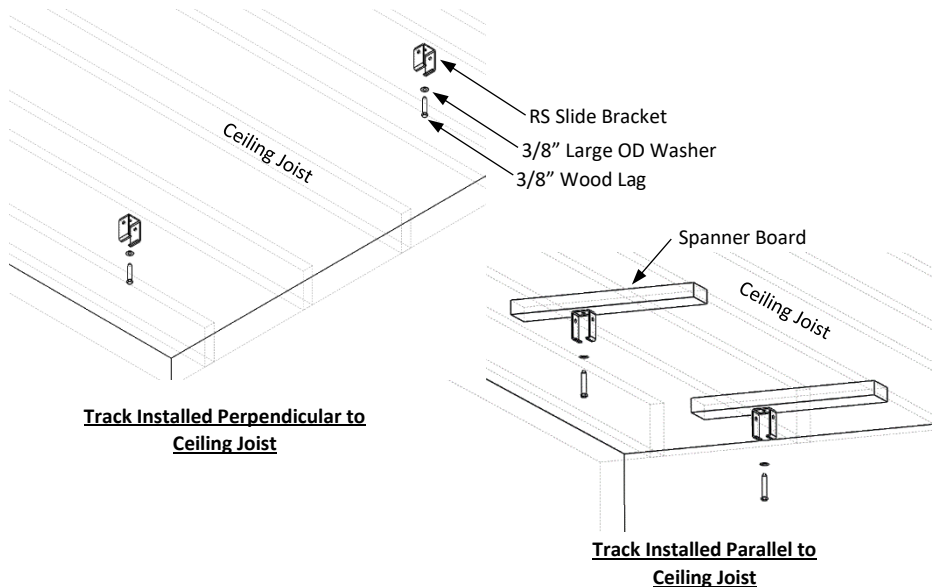
- Once location is set, determine direction of ceiling joists. Two RS Slide Brackets will be installed to support RS Slide Track (determined by joist spacing.)

**Note:** If track is installed parallel to the ceiling joists, and location falls between two ceiling joists, "spanner boards" may be required to provide solid mounting location (shown below.)

## Step 3:

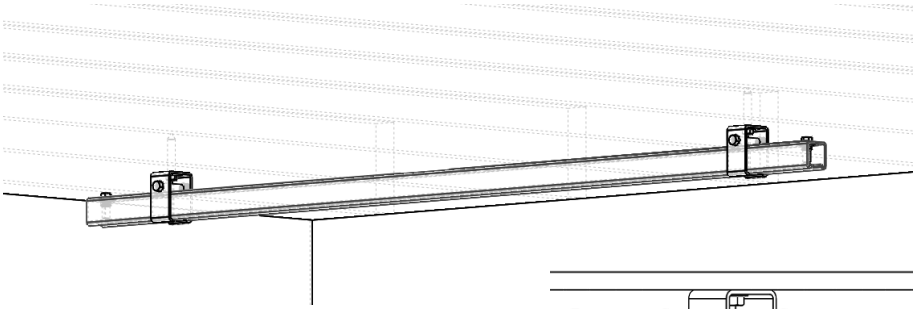
- Drill 1/4" pilot hole for each mounting location approx. 2 1/4" deep.
- Install one 3/8" Lag and 3/8" Large OD Washer per RS Slide Bracket.

**Note:** Use straight edge to insure brackets are in line with one another.



## Step 4:

- Slide RS Slide Track into brackets. Equal amount of track should be sticking beyond each bracket if possible.
- Secure track in place by installing Track Bracket Hardware at each bracket.



## Step 5:

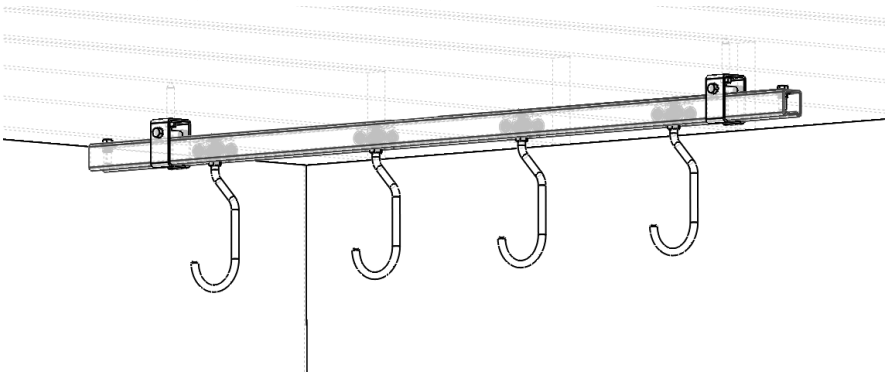
- Insert all RS Slide Trolleys into track.

**Note: Four Trolley Assemblies included with each unit. Max of six Trolley Assemblies per unit (Additional Trolley Assemblies sold separately.)**

3/8-16 x 2.5" HCS

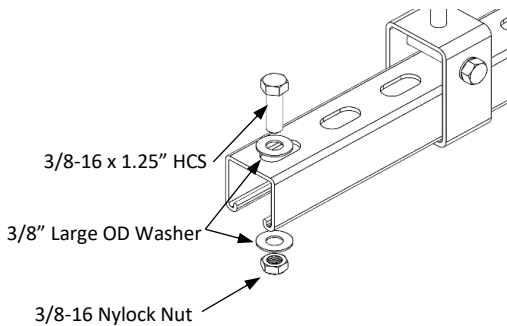
3/8 Small OD Washer

3/8-16 Nylok Nut



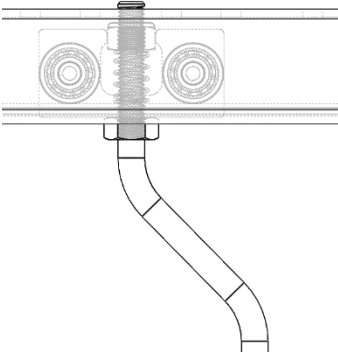
## Step 6:

Install Trolley Assembly Stop Hardware at both ends of RS Slide Track.

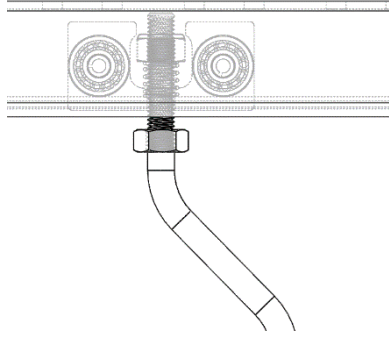


## Using RS Slide

- RS Slide Trolley Assemblies are spring loaded and will lock into track slots when no load is applied to hook. This allows for easy bike installation and eliminates side to side and rotational movement.

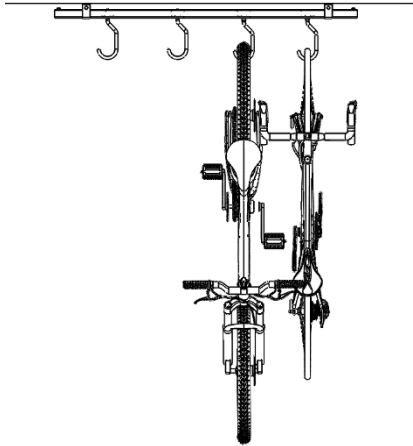


**Trolley Assembly in Locked  
Position**



**Trolley Assembly in Unlocked  
Position**

- To avoid bike interference, adjacent bike should be hung from opposite tire (front tire vs rear tire.)



## Additional Instructions

- Use **caution** while taking steps to install RS Slide.
- Inspect RS Slide periodically to ensure proper working conditions.

Questions or comments? Contact our support team via email at [email@1up-usa.com](mailto:email@1up-usa.com)

### Warning/Disclaimer

Manufacturer and seller expressly disclaim any and all liability for personal injury, property damage or loss, whether direct, indirect, or incidental, resulting from the incorrect mounting, improper use, inadequate maintenance, or neglect of this system.