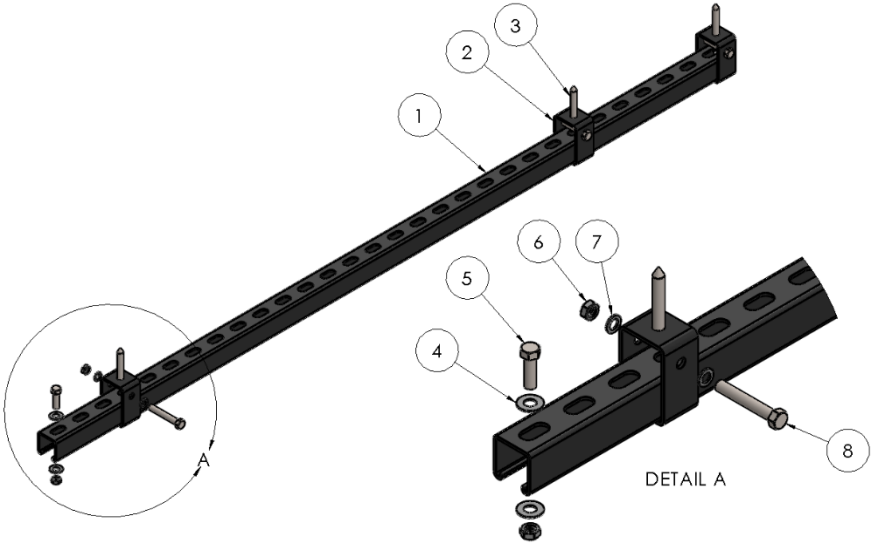


Parts List

- | | |
|-------------------------|---------------------------------|
| 1) RS Slide Track | 5) 3/8-16 x 1.25" Hex Cap Screw |
| 2) RS Slide Bracket | 6) 3/8-16 Nylok Nut |
| 3) 3/8" Wood Lag Screw | 7) 3/8" Small OD Washer |
| 4) 3/8" Large OD Washer | 8) 3/8-16 x 2.5" Hex Cap Screw |



In the Box:

- (1) 5' RS Slide Extension Track
- (3) RS Slide Brackets
- (1) Bracket Installation Hardware Bag

Tools Required:

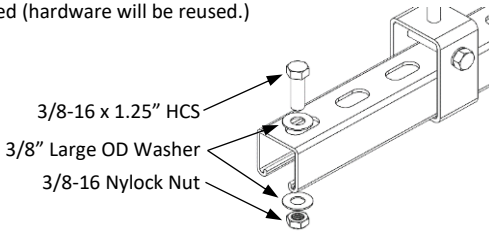
- Drill
- 9/16" Socket and Ratchet
- 9/16" Wrench
- 1/4" Drill Bit
- Tape Measure

Product Notes:

- 5' RS Slide Track Extension to be added to existing RS Slide unit.
- 50 lb per Trolley Assembly with six trolleys max per 5' section (trolleys sold separately.)
- RS Standard Slide Trolley Assembly to hold bikes with tires up to 3" wide.
- RS Large Slide Trolley Assembly to hold bikes with tires up to 5" wide.

Step 1:

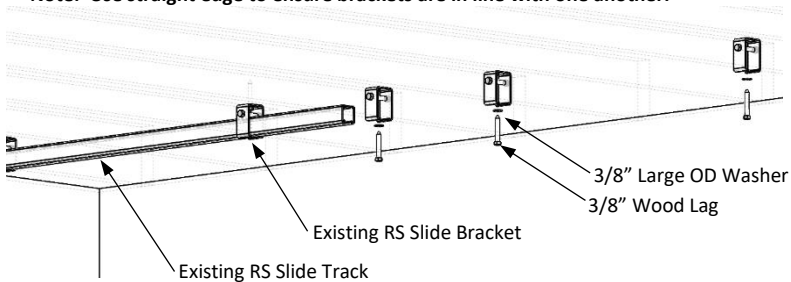
- Remove Trolley Assembly Stop Hardware at end of existing RS Slide where extension will be installed (hardware will be reused.)



Step 2:

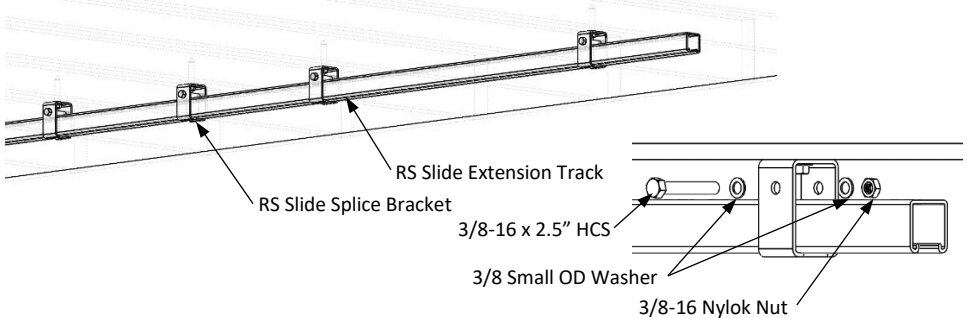
- Install Three RS Slide Brackets (one at splice location) to support RS Slide Extension (determined by joist spacing.)
- Drill 1/4" pilot hole for each mounting location approx. 2 1/4" deep.
- Install one 3/8" Lag and 3/8" Large OD Washer per RS Slide Bracket.

Note: Use straight edge to ensure brackets are in line with one another.



Step 4:

- Slide RS Slide Extension Track into brackets.
- Secure track in place by installing Track Bracket Hardware at each bracket. Insure there is no gap at splice location.
- Reinstall Trolley Assembly Stop Hardware at end of RS Slide Extension Track.



Additional Instructions

- Use **caution** while taking steps to install RS Slide Extension.
- Inspect RS Slide periodically to ensure proper working conditions.

Questions or comments? Contact our support team via email at email@1up-usa.com

Warning/Disclaimer

Manufacturer and seller expressly disclaim any and all liability for personal injury, property damage or loss, whether direct, indirect, or incidental, resulting from the incorrect mounting, improper use, inadequate maintenance, or neglect of this system.