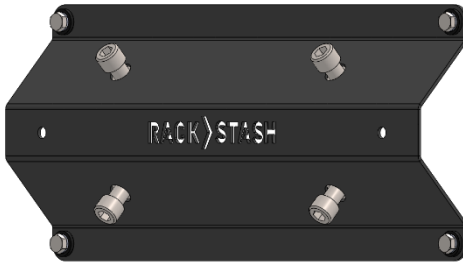


In the Box:

- RS Add-On Holder
- Installation Hardware
- Add-On Mounting Bolts

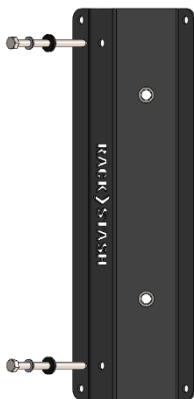
Tools Required:

- Drill
- 1/4" Drill Bit
- 1/2" Socket and Ratchet
- Tape Measure
- Level
- 3/8" Allen Wrench



Installation

- Begin by finding wall location to install. Unit requires two studs for horizontal mounting and one stud for vertical mounting. 20" minimum clearance required beyond both ends of unit.
- Use level and tape to mark and drill 1/4" pilot holes in wall for mounting. Horizontal mounting will require four holes. Vertical mounting will require two holes.
- Use supplied lags and washers to install unit. 2" lags used for horizontal mounting. 4 1/2" lags used for vertical mounting. Spacers used for vertical mounting. Lags should be tightened firmly.



Vertical Mounting



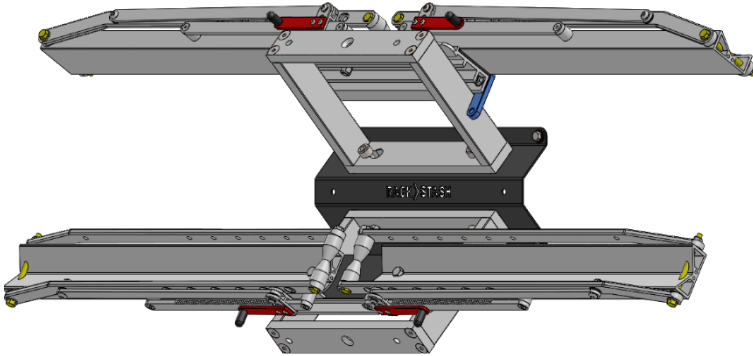
Spacers to install on backside of RS Add-On Holder.



Horizontal Mounting

Storing Add-On

Add-On mounts in same manner as installing to base rack (3/8" Allen Wrench required.)
Two Add-Ons per location maximum for a total of four Add-Ons.



Additional Instructions

- Use **caution** while taking steps to install RS Add-On Holder.
- Inspect RS Add-On Holder periodically to ensure proper working conditions.

Questions or comments? Contact our support team via email at email@1up-usa.com

Warning/Disclaimer

Manufacturer and seller expressly disclaim any and all liability for personal injury, property damage or loss, whether direct, indirect, or incidental, resulting from the incorrect mounting, improper use, inadequate maintenance, or neglect of this system.

Manufactured by: 1UP USA

INS47