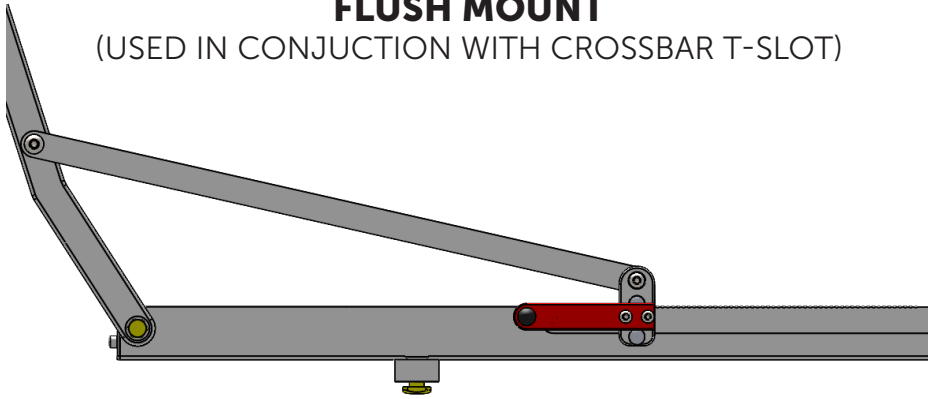


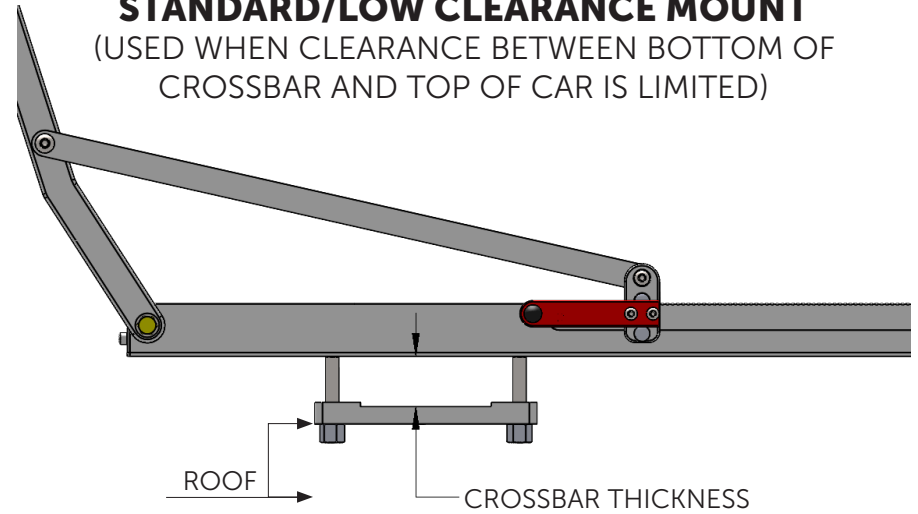
FLUSH MOUNT

(USED IN CONJUNCTION WITH CROSSBAR T-SLOT)



STANDARD/LOW CLEARANCE MOUNT

(USED WHEN CLEARANCE BETWEEN BOTTOM OF CROSSBAR AND TOP OF CAR IS LIMITED)



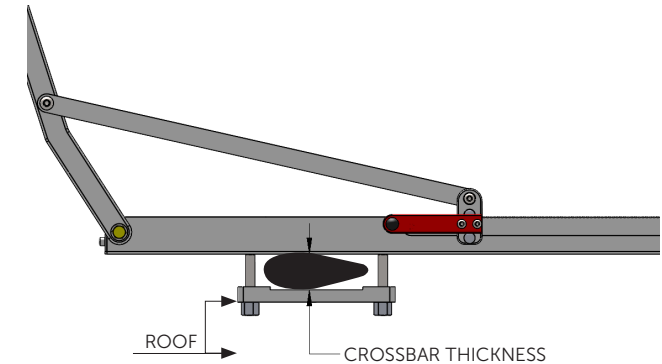
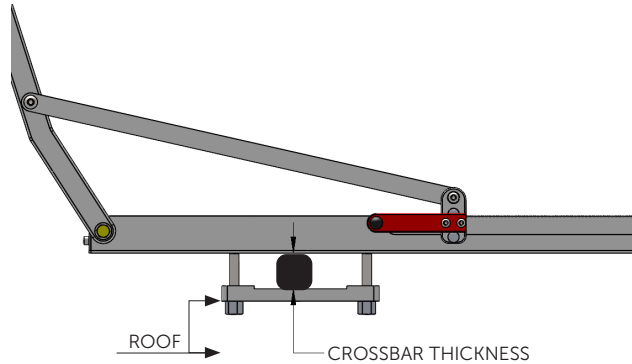
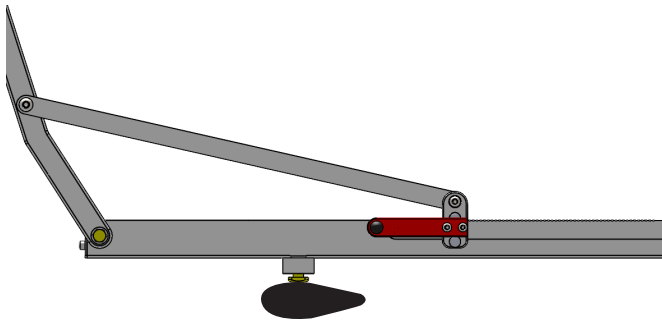
COMPATIBLE WITH MOST CROSSBAR DESIGNS

AERO 

SQUARE 

ROUND 

RECTANGLE 



CLEARANCE BETWEEN BOTTOM OF CROSSBAR AND TOP OF ROOF	CROSSBAR THICKNESS	MOUNTING OPTION	BOLT SIZE
T-SLOT REQUIRED	ALL HEIGHTS	FLUSH MOUNT	N/A
≥ 1.70"	0.45" - 0.95"	STANDARD MOUNT	1.0"
≥ 1.70"	0.95" - 1.45"	STANDARD MOUNT	1.5"
≥ 1.70"	1.45" - 1.95"	STANDARD MOUNT	2.0"
≥ 1.20"	0.26" - 1.54"	LOW CLEARANCE	2.0"