

Red Lever Kit

Once your rack is properly installed onto your vehicle, follow these steps to attach the red levers.

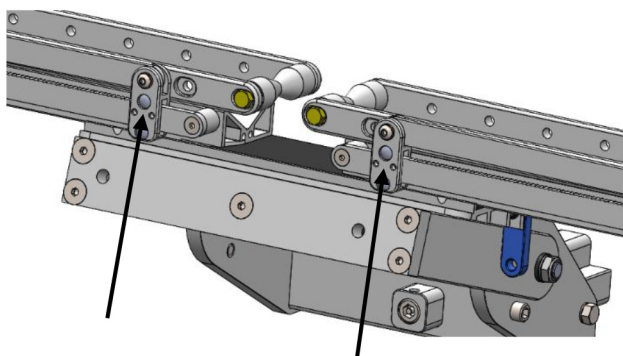
Parts included:

- (4) 10-24 x .4375 Flat Head Screw
- (2) Red Levers

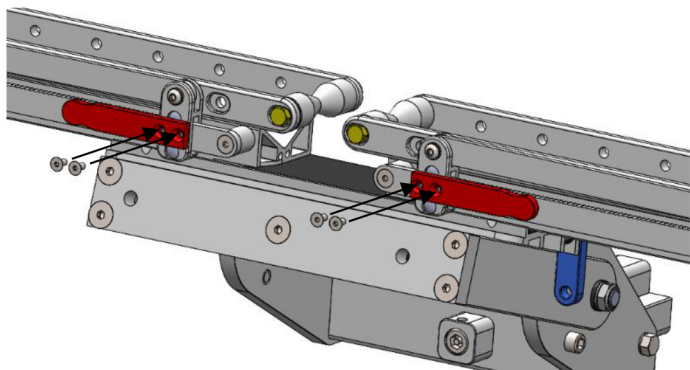
Tools Needed: 1/8" Allen Wrench.

Step 1: Remove red levers and bolts from the plastic bags.

Step 2: Locate dominos on rack.



Step 3: Position red levers and install onto domino using provided fasteners. Be sure to pay attention to direction of red lever.





Together, we'll do epic things.

WARRANTY

All 1UP USA brand products include 100% lifetime warranty protection from factory defects or breakage under normal use.

Questions or comments? Contact our support team via email at email@1up-usa.com

1 UP USA shipping information: PO Box 563, 1Commercial Drive, Dickeyville, WI, 53808.