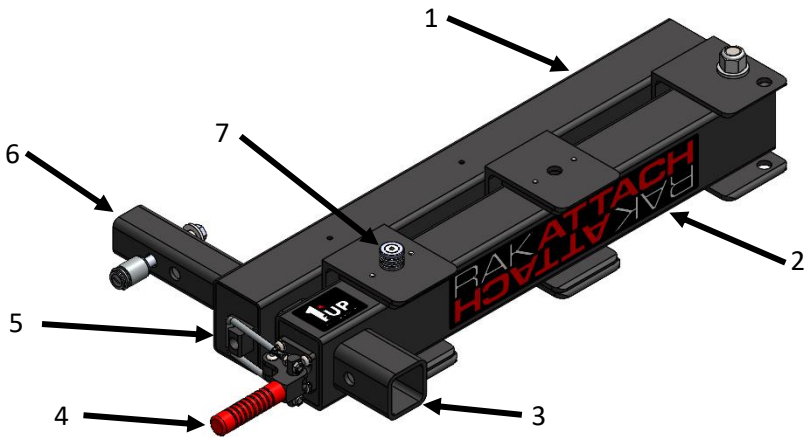


### Parts List:

- |              |                 |
|--------------|-----------------|
| 1) Fixed Arm | 5) Hook         |
| 2) Swing Arm | 6) Shank        |
| 3) Receiver  | 7) Magnetic Pin |
| 4) Latch     |                 |



### In the Box:

- RakAttach 2.0
- Latch & Hook
- (6) 5/16-18 Button Heads
- (6) 5/16" Lock Washers
- 3/16" Allen Wrench
- Anti-Wobble Bracket, Pin, Washer and Lock

### Tools Required:

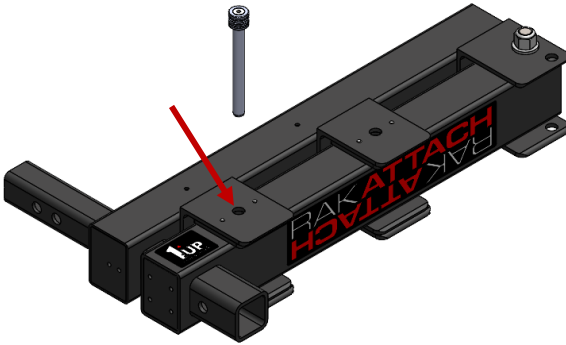
- 3/16" Allen Wrench (Included)
- 3/4" Wrench
- 1/2" Wrench

### Product Notes:

- Available in Medium or Large configurations.
- 275 lb weight limit.
- Fits 2" receivers.

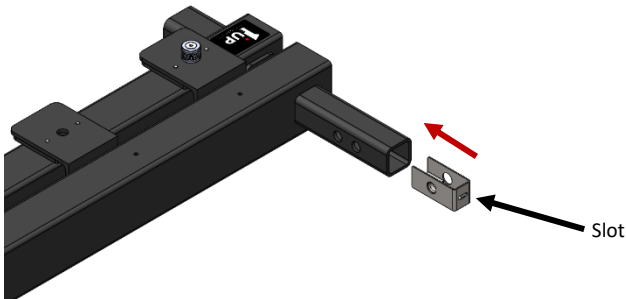
## Step 1:

- Insert Magnetic Pin into Fixed Arm hole.



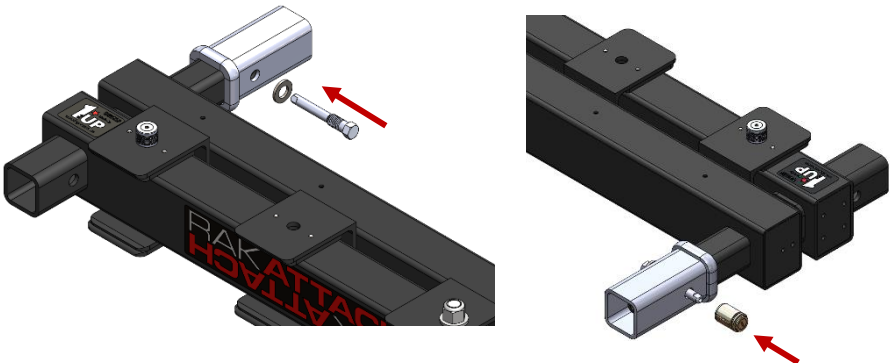
## Step 2:

- Insert Anti-Wobble Bracket into RakAttach 2.0 Shank. Pay attention to side of welded nut.
- Slot in bracket goes in last. Slot used for inserting flat head screwdriver to remove or adjust depth.



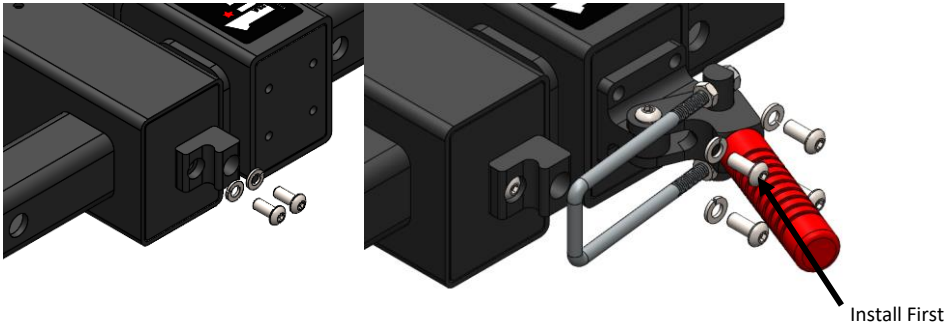
## Step 3:

- Insert RakAttach 2.0 Shank into vehicle receiver.
- Align receiver hitch pin hole with Shank hole and Anti-Wobble Bracket. Insert and tighten supplied Hex Anti-Wobble Pin and Washer (same side as welded nut) using 3/4" wrench.



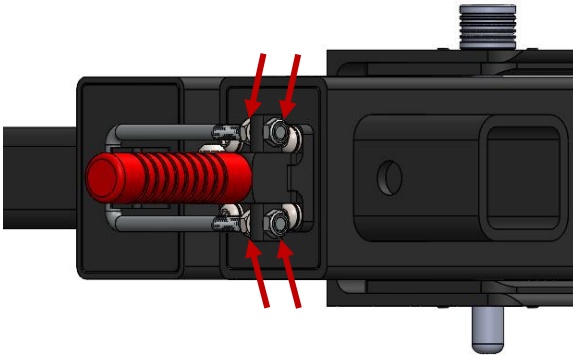
## Step 4:

- Install Hook and Latch using supplied 5/16-18 Button Heads, 5/16" Lock Washers and 3/16" Allen Wrench (Latch Handle and U-Bolt will need to be rotated to install fasteners).



## Step 5:

- Verify Latch requires significant force to close. To increase or decrease clamping force, use 1/2" wrench to adjust four nuts found on U-Bolt.

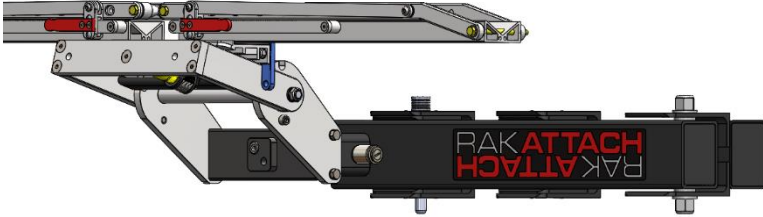


## Warning

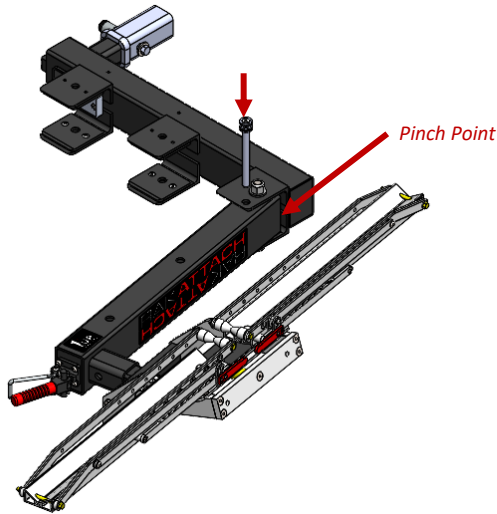
- Read and follow all instructions when using swing arm adapter.
- Swing arm adapter cannot be used for towing.
- When operating swing arm adapter stay clear of pinch point.

## Using RakAttach 2.0

- Verify RakAttach 2.0 is installed properly.
- Install rack or accessory into RakAttach 2.0 Receiver.
- Use Hitch Pin hole in RakAttach 2.0 Receiver if applicable.



- To swing RakAttach 2.0 to open position, release Latch, pull Magnetic Pin and rotate out.
- Once in open position, install Magnetic Pin in Secondary Hole.



- Reverse steps above to return to closed position. Ensure Magnetic Pin and Latch are installed properly before transporting.

## Additional Instructions

- Remove road debris off nuts and bolts to prevent corrosion.
- Inspect hardware on accessory periodically to ensure proper working conditions.
- Certain car wash chemicals may damage finish. Please use caution when cleaning vehicle and/or accessory.

Questions or comments? Contact our support team via email at [email@1up-usa.com](mailto:email@1up-usa.com)

# **WARRANTY**

RakAttach is warranted against defects in workmanship and material for one year.

## **WARNING and DISCLAIMER**

Failure to follow warnings and instructions may result in serious injury or death, vehicle crash, property damage and void the warranty.

### **ALWAYS CLOSE THE CLAMP AND INSERT THE PIN BEFORE DRIVING!**

#### **GENERAL WARNINGS:**

- Do not exceed the weight limit of 275 pounds.
- Do not exceed the weight limit of your vehicle's hitch.
- Do not use the adapter for towing of any kind.
- Do not modify the adapter.

#### **INSTALLATION WARNINGS:**

- Install the adapter directly to the vehicle's hitch if possible.
- Install the correct size adapter for your vehicle.

#### **\*\*HITCH EXTENSION\*\***

Unit cannot be used with extension.

#### **DRIVING WARNINGS:**

The additional weight of the swing arm adapter may affect your vehicle's acceleration, braking and handling. Allow extra time for passing, stopping, and changing lanes. Your vehicle is longer with the adapter and rack on it; take the necessary precautions when driving.

Severe bumps can damage your vehicle, hitch, adapter and rack. Drive slowly on rough roads. Watch your approach and descent angles. Make sure you have adequate clearance for the hitch, adapter and your rack. Stop and make a thorough inspection if any part of your hitch, adapter or rack strikes the road. Correct any problems and replace any damaged parts before resuming travel.

**SAFE AND SKILLED DRIVING IS YOUR  
RESPONSIBILITY.  
YOUR SAFETY AND SOMEONE ELSE'S DEPENDS  
ON IT!**