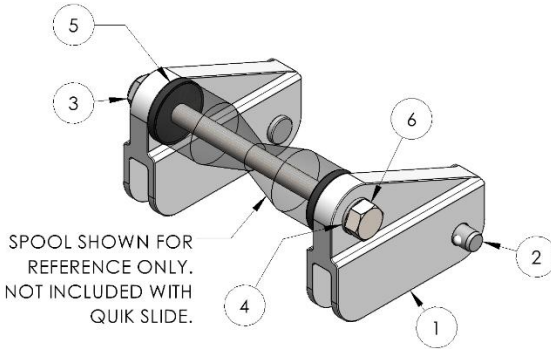


Parts List

- | | |
|----------------------------|-------------------|
| 1) Quik Slide | 5) Plastic Spacer |
| 2) 5/16" Detent Pin | 6) 5/16" Bolt |
| 3) 5/16"-18 Nylock Jam Nut | |
| 4) 5/16" Washer | |



Hardware Details

*Denotes hardware to be used from existing rack

RACK	QR/HD/SD (Pre 4/24)	New SD	Equip'D
HARDWARE TO USE	(2) 5/16"-18 x 4.5" Hex Head Screws (4) Plastic Spacers (4) Quik Slides (4) 5/16" Detent Pins (6) 5/16"-18 Nylock Jam Nuts (10) 5/16" Washers (4) 5/16"-18 x 1" Button Heads (1) 3/16" Allen Wrench	*(2) 5/16"-18 x 6" Hex Head Screws (4) Quik Slides (4) 5/16" Detent Pins (6) 5/16"-18 Nylock Jam Nuts (10) 5/16" Washers (4) 5/16"-18 x 1" Button Heads (1) 3/16" Allen Wrench	(2) 5/16"-18 x 5.75" Hex Head Screws (4) Quik Slides (4) 5/16" Detent Pins (6) 5/16"-18 Nylock Jam Nuts (10) 5/16" Washers (4) 5/16"-18 x 1" Button Heads (1) 3/16" Allen Wrench

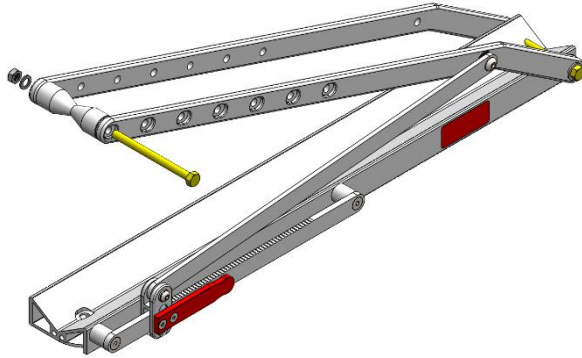
Product Notes

- Standard Quik Slide fits tires up to 2.8" wide. Fat Tire Quik Slide fits tires up to 4.5" wide.
- Racks that have Fat Tire Spacer Kit installed will reuse 5/16" Bolt.

Assembly

Step 1

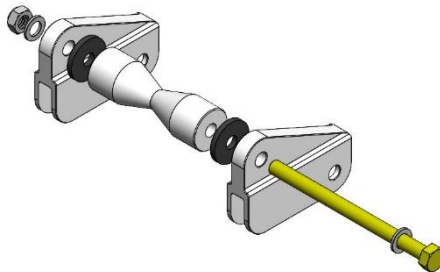
- Remove existing Spools from Bike Rack.



Step 2

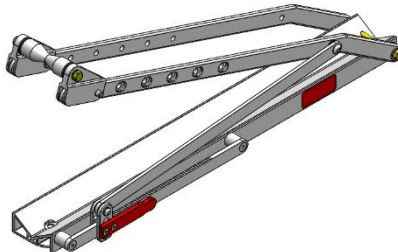
- Using appropriate Hardware, install existing Spools in Quik Slides as shown. Use (2) 1/2" wrenches to tighten 5/16" Bolt and Nut (Wrenches not included).

Note: *New SD, Equip'd, and Racks with Fat Tire Kit Installed do not require use of Plastic Spacers.*



Step 3

- Install assembled Quik Slide onto Rack Bent Arms as shown. Install 5/16" Detent Pins through Quik Slide Holes and preferred Bent Arm Holes.



Optional

If quick adjustment is not required, Quik Slide can be installed using supplied 5/16"-18 x 1" Button Head Screws, Washers, and Nuts instead of Detent Pins. Round Button head to install on inside edge of Bent Arm.

Questions or comments? Contact our support team via email at email@1up-usa.com