



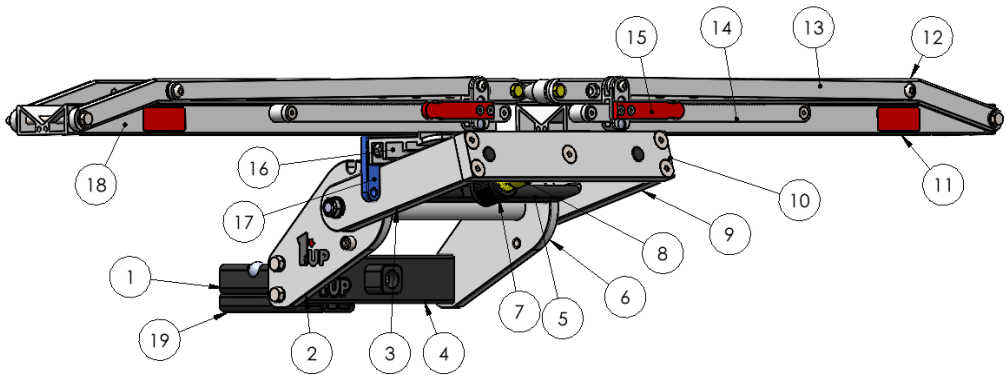
For additional info including video instructions, detailed weight ratings, and more, scan the code.



1.25" - 2" QUIK RACK SINGLE

Parts List:

- | | |
|-------------------------------|-------------------------|
| 1) 1.25" Hitch | 11) Passenger Side Tray |
| 2) Driver 1.25" Side Plate | 12) Bent Arm |
| 3) Driver Pivot Beam | 13) 19" Strap |
| 4) Cross Bar | 14) Glide Bar |
| 5) Black Bar | 15) Red Lever |
| 6) Passenger 1.25" Side Plate | 16) 15° Plate |
| 7) Gold Bar Knob | 17) Blue Lever |
| 8) Gold Bar | 18) Driver Side Tray |
| 9) Passenger Pivot Beam | 19) 2" Hitch Adapter |
| 10) Tap Plate | |



In the Box:

- 1UP USA 1.25" Quik Rack
- (2) Security Wrench
- Velcro Strap
- Hitch Bar Lock
- Black 3/4" Hex Wrench

Product Notes:

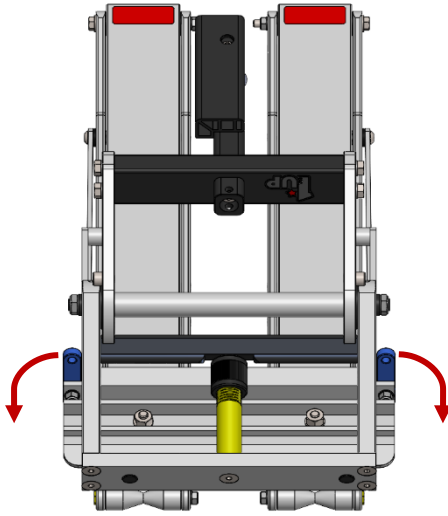
- Fits 16"-29" wheels, up to 3.1" wide. For wider tires, use a Fat Bike Spacer Kit (sold separately).
- With addition of two Add-Ons (sold separately), this rack can hold a maximum of three bikes.

Step 1:

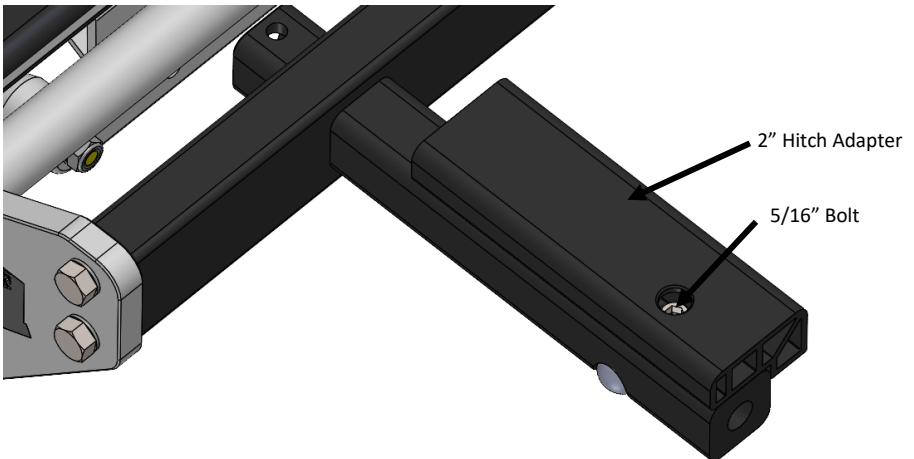
- Remove Rack from box.
- Unfold Hitch parallel with Trays.
- Remove all cardboard supports.
- Remove sticker covering Hitch Bar Ball.

Step 2:

- Position Rack with Hitch Bar facing upwards and place on a stable nonabrasive surface.
- Rotate Blue Levers outward 90°.

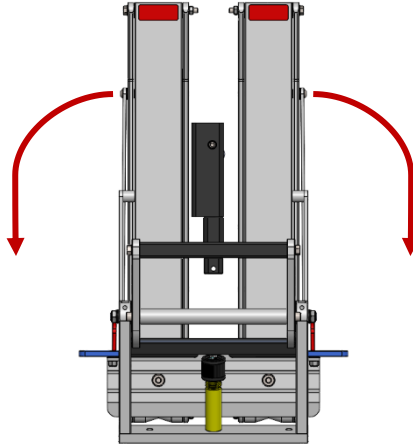


Note: *If Hitch on vehicle is 1.25", remove the installed 2" Hitch Adapter with supplied 1/4" hex wrench.*



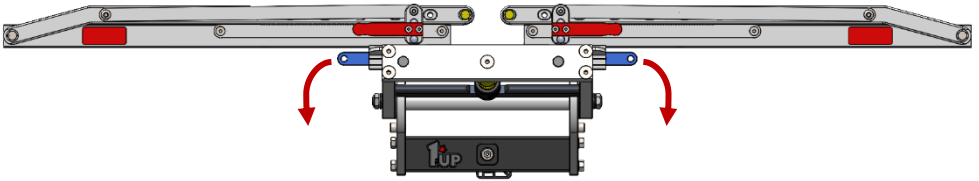
Step 3:

- Rotate Trays outward 90° into loading position.



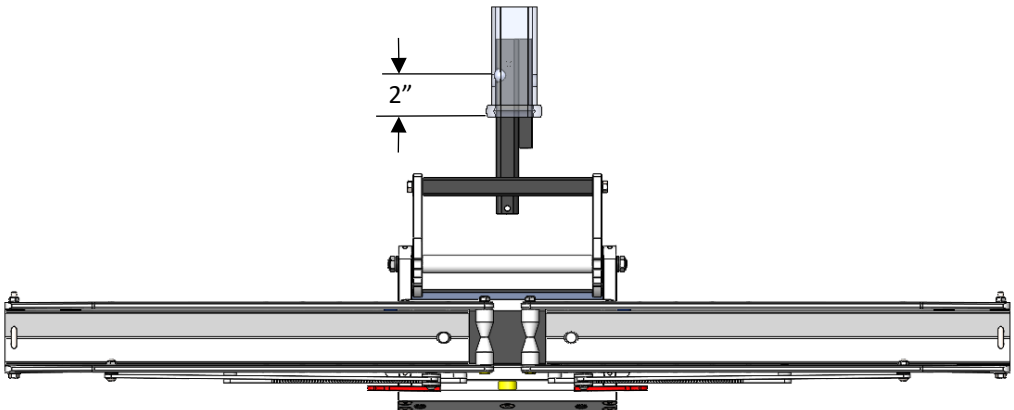
Step 3 Cont'd:

- Rotate Blue Levers back into original locking position.
- *Ensure Blue Levers are always in locked position when using Rack.*



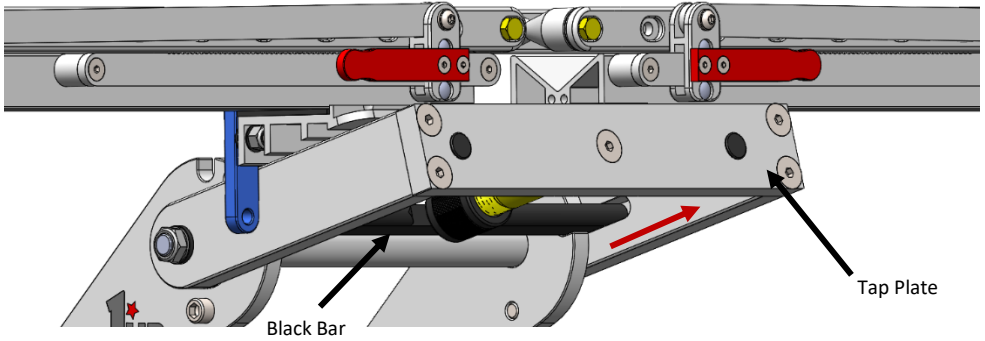
Step 4:

- Insert Rack to desired depth in receiver. Ball must be inserted a minimum of 2".
- *Silver ball should not stick out front of receiver.*



Step 5:

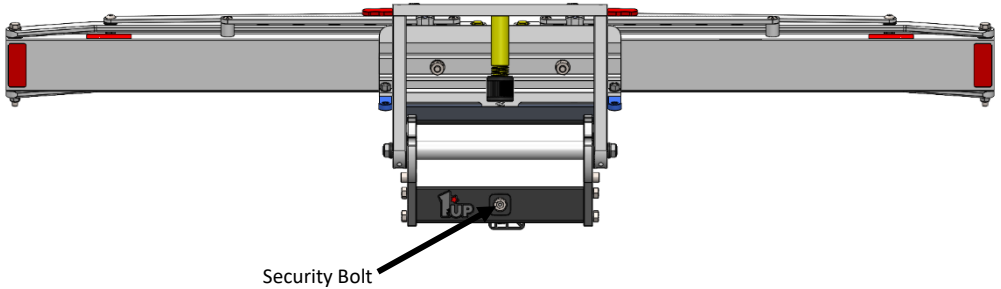
- Pivot Rack into storage position by pulling Black Bar back and lifting upward on Tap Plate.



Note: *See Rack Positions on page 5 for more information.*

Step 6:

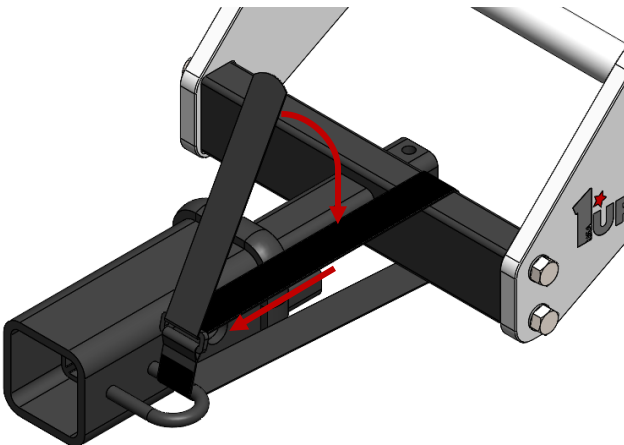
- Tighten Security Bolt firmly with Gold Security Wrench provided.



Note: *Do not tighten Security Hitch Bolt if Hitch Bar is not inserted into a receiver.*

Step 7:

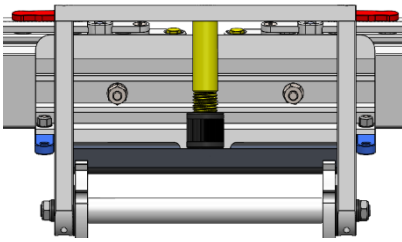
- Attach Velcro Strap through safety chain loop on side of receiver and loop around crossbar of Rack for added safety as shown below.



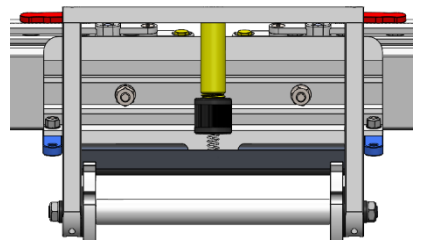
Pivoting the Rack

- Pull Black Bar out away from Hitch while lifting on Tap Plate.
- Rotate Rack toward desired position and release Black Bar. *Ensure Black Bar fully engages in slots.*
- *Once Black Bar is engaged, tighten Gold Bar Knob against Black Bar to lock Black Bar in place.*

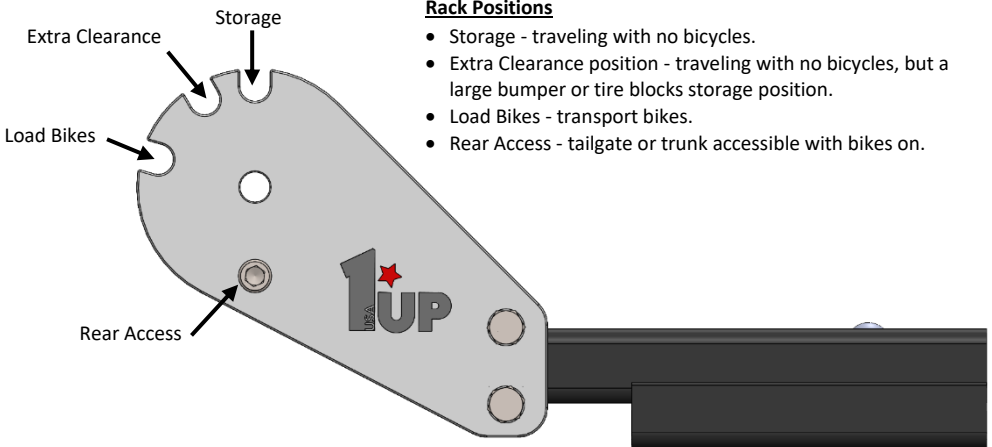
Warning: Failure to follow above instructions may cause severe damage to bikes and/or bike rack.



Locked



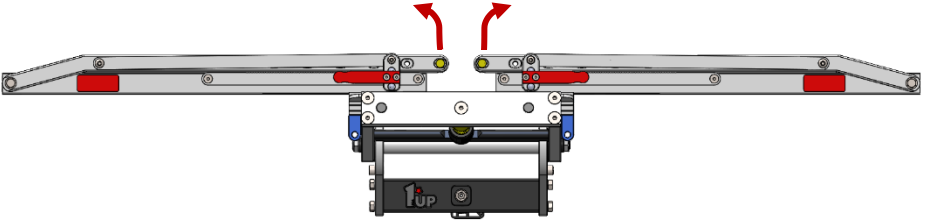
Unlocked



Note: *In the rear access position, the Black Bar will not lock into place. Not for Transporting.*

Loading Bikes

- On driver and passenger side, lift Red Lever up parallel with Glide Bar while pulling up on Bent Arm.



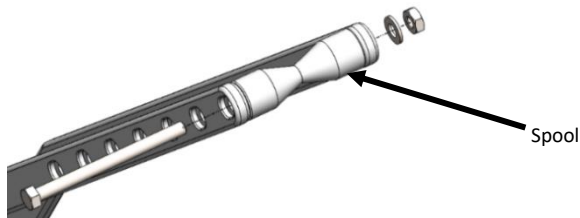
Note: *Do not move Bent Arms up without lifting Red Lever.*

- Set bike on Trays in desired position.
- Pivot Bent Arms down to tires firmly.
- When loading multiple bikes, stagger them to avoid seat and handlebar interference. E.g., front tire of bike one on driver side, front tire of bike two on passenger side, etc.
- Check for interference between Strap nut and tire. If interference occurs reverse button head and nut orientation (button head to inside of Bent Arms and nut on outside of Strap).



Note: *Spool must contact tire within specified range. Bike is not secured in rack if spool is located outside of specified range.*

- To adjust spool location, remove hex nut and washer with a ½" wrench.
- Slide bolt out of Spools and re-assemble Spools in desired position, firmly tightening hex nut.

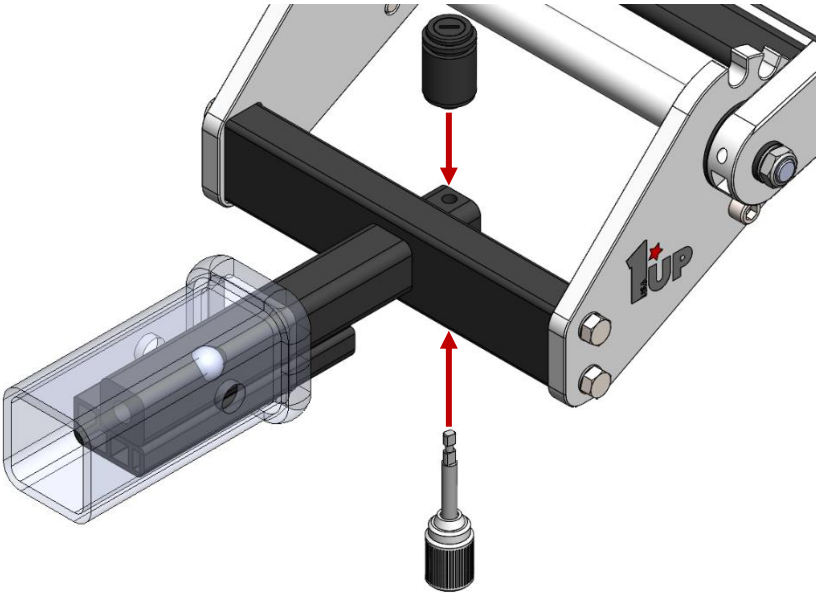


Unloading Bikes

- Compress Bent Arm/Spool into tire slightly while lifting on Red Lever. This relieves pressure and allows the Red Lever to easily unlock.
- Pivot Bent Arm from tire to unload.
- Repeat unloading process on opposite side.

Locking Rack

- Insert Hitch Pin up from bottom of rack through hole near security bolt.
- Install Lock Head onto end of Hitch Pin.



Additional Instructions

- Tighten Security Hitch Bolt periodically.
- Remove Rack from receiver at least every two weeks and clean receiver so Rack does not seize in the receiver.
- Remove road debris off nuts and bolts to prevent corrosion.
- Inspect hardware on Rack periodically to ensure proper working conditions.
- Certain car wash chemicals may damage Rack finish. Please use caution when cleaning vehicle and/or Rack.
- Failure to follow above instructions, or misuse of bike rack, may void warranty.

Questions or comments? Contact our support team via email at email@1up-usa.com