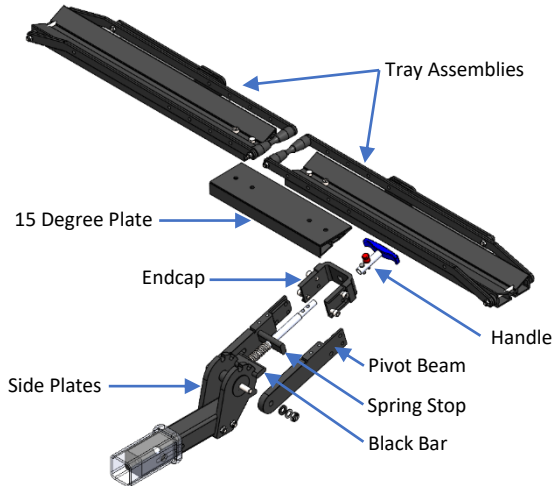


Tools Required

- (1) 9/16" Wrench (not included)
- (2) 3/4" Wrenches (not included)
- Multi Tool

Installation

- Remove all Tray Assemblies.
- Remove 15 Degree Plate(s).
- Remove Handle and Endcap.
- Remove nut and washers holding Pivot Beams together, remove Pivot Beam.
- Remove Pull Rod Assembly.
- Install new Pull Rod Assembly in same orientation as original.
- With Black Bar Resting in slot of Side Plates, reinstall Pivot Beam in same orientation as original.
- Ensure Spring Stop is seated into machined slots of Pivot Beams.
- Reassemble Rack. Parts to use same orientation as original. Tighten all hardware firmly.



Additional Instructions

- Remove road debris off nuts and bolts to prevent corrosion.
- Inspect hardware on Rack periodically to ensure proper working conditions.
- Certain car wash chemicals may damage Rack finish. Please use caution when cleaning vehicle and/ or Rack.

Questions or comments? Contact our support team via email at email@1up-usa.com