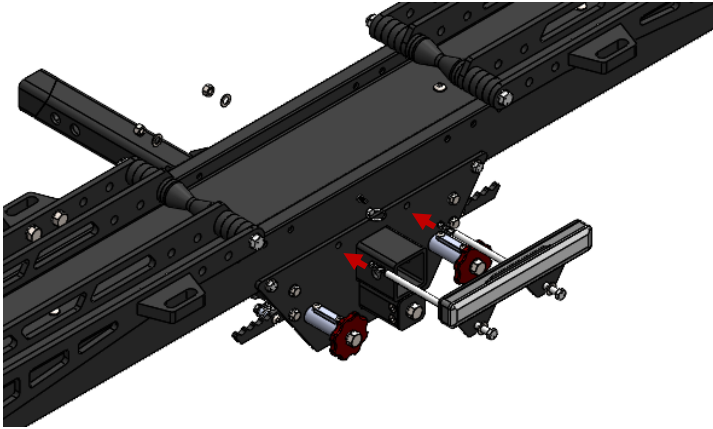


Tools Required

- 9/16" Wrench (Included with Moto Rack)

Installation

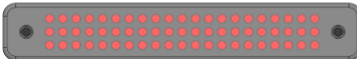
- Remove two middle 3/8"-16 x 9.25" Hex Bolts from Hitch Assembly with supplied Wrench.
- Align LED Holder with two middle Hitch Plate holes and reinsert 3/8"-16 x 9.25" Hex Bolts with Washer through LED holder and Hitch Assembly.
- Secure Bolts in Hitch Assembly by installing 3/8" Washer and new 3/8"-16 Jam Nut on backside of Hitch Assembly with supplied Wrench.
- Run flat 4-pin Trailer Connector through Moto Rack Hitch Receiver and plug into Vehicle Connector.



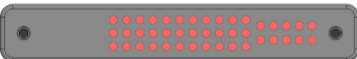
LED Light Bar Functionality

Vehicle Lights On

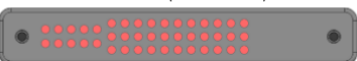
Running Lights



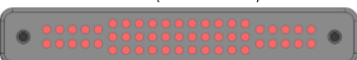
Right Blinker (Right Side Blinks)



Left Blinker (Left Side Blinks)



Flashers (Both Sides Blink)



Vehicle Lights Off

Right Blinker (Right Side Blinks)



Left Blinker (Left Side Blink)



Flashers (Both Sides Blink)



Additional Instructions

- Remove road debris off nuts and bolts to prevent corrosion.
- Inspect hardware on accessory periodically to ensure proper working conditions.
- Certain car wash chemicals may damage finish. Please use caution when cleaning vehicle and/ or accessory.

Questions or comments? Contact our support team via email at email@1up-usa.com