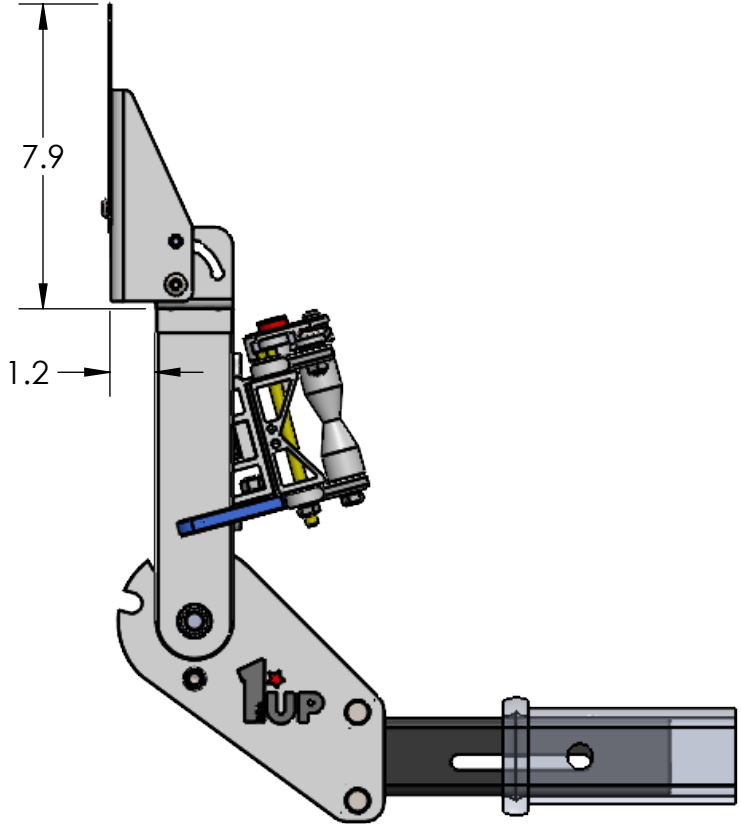
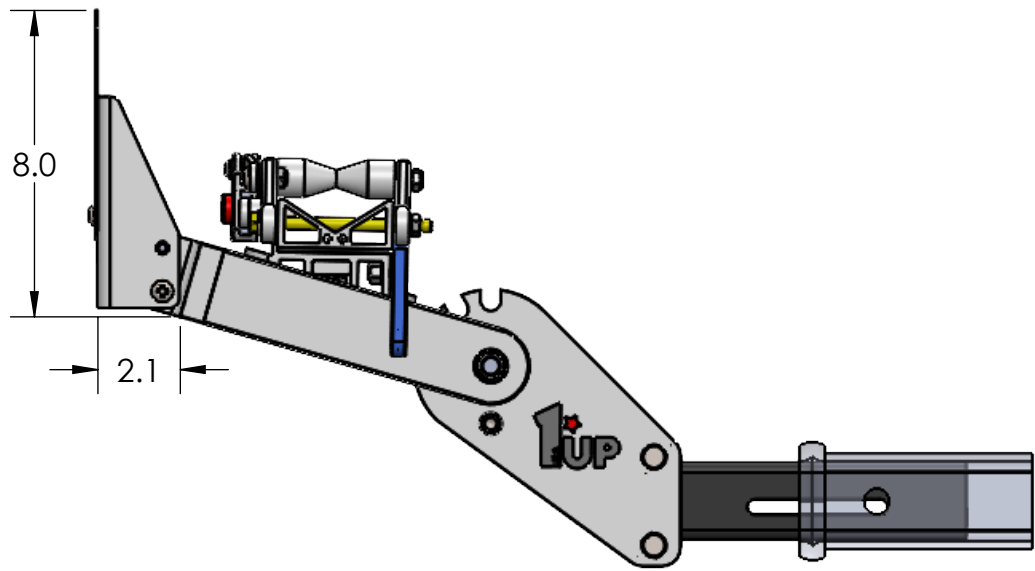


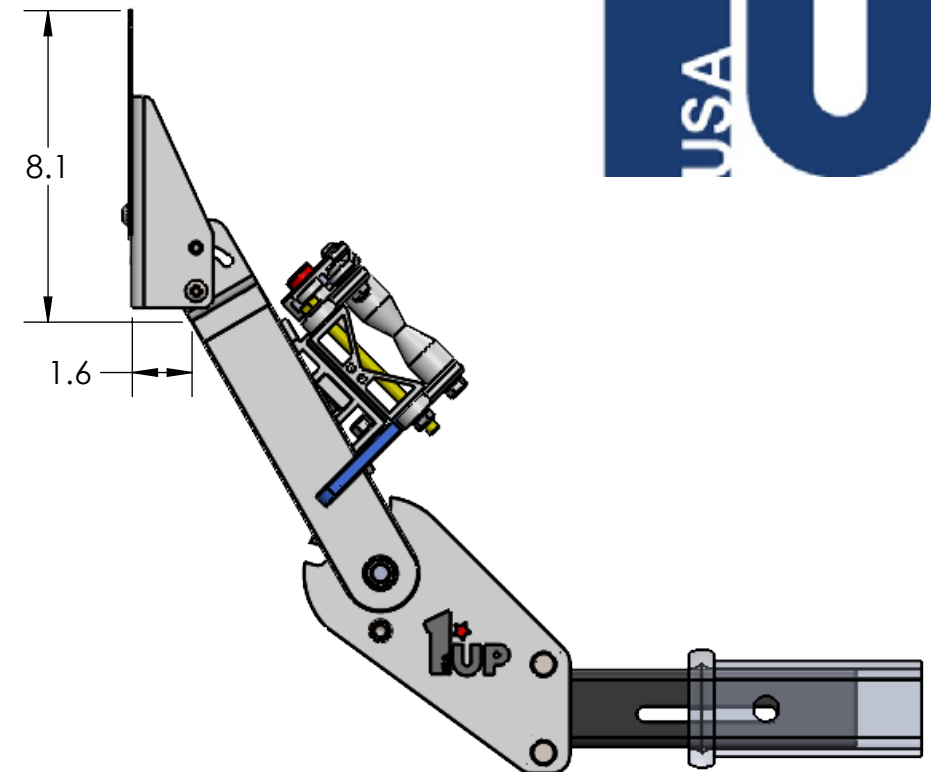
LICENSE PLATE HOLDER 2.0



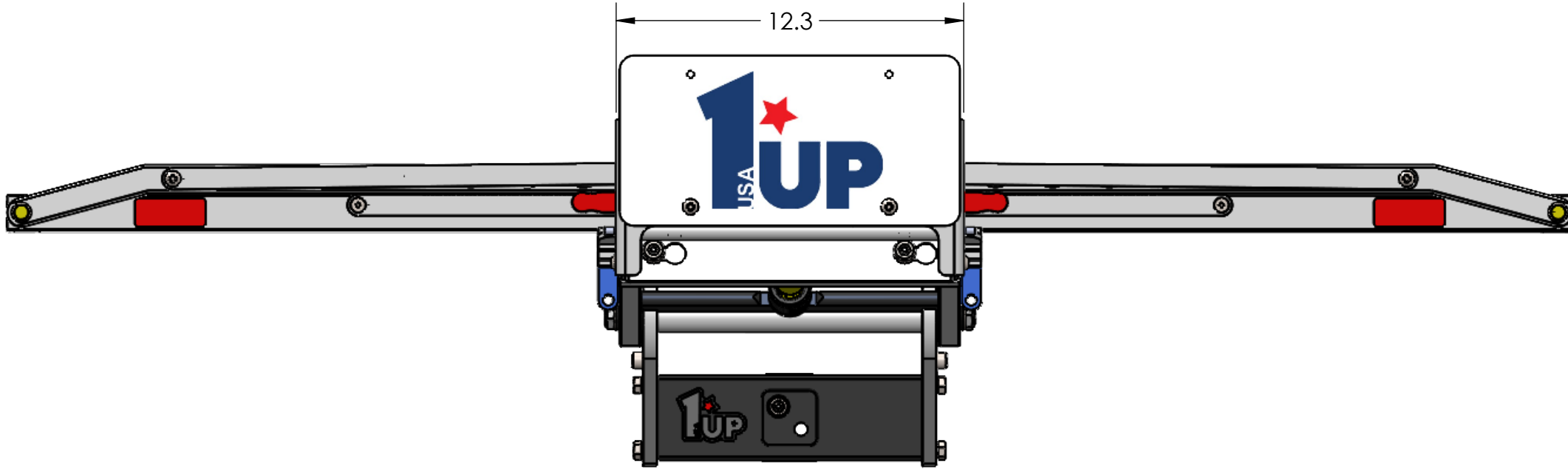
STORAGE POSITION



RIDE POSITION

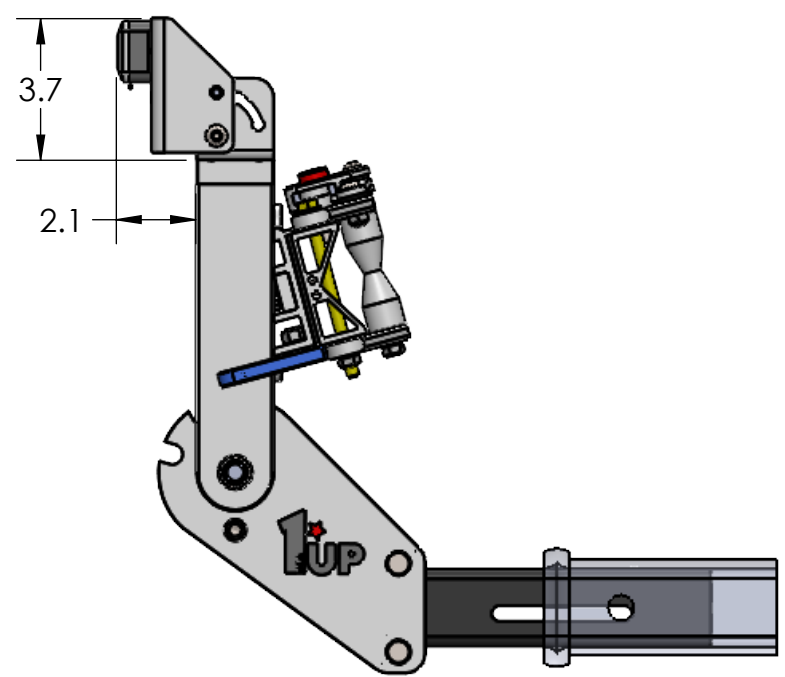


EXTRA CLEARANCE POSITION

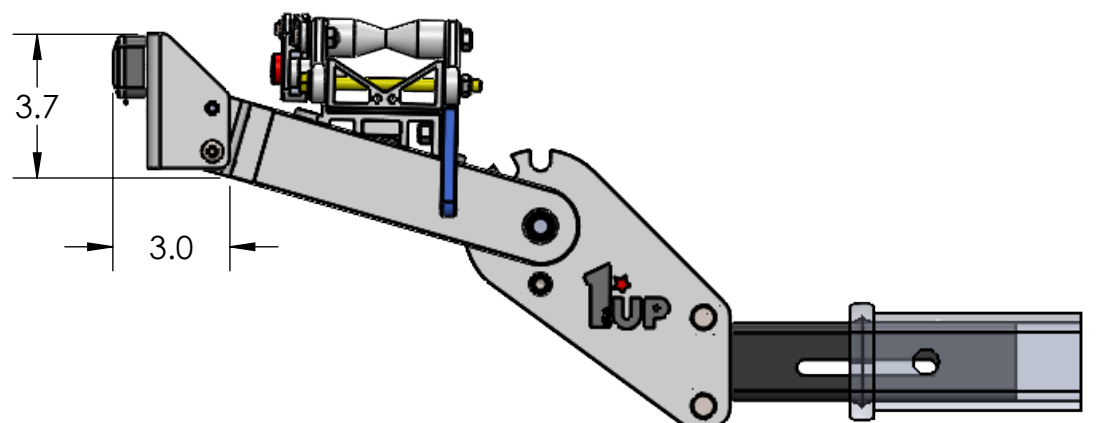


SEE BASE RACK FITMENT DRAWINGS FOR ADDITIONAL DIMENSIONS.

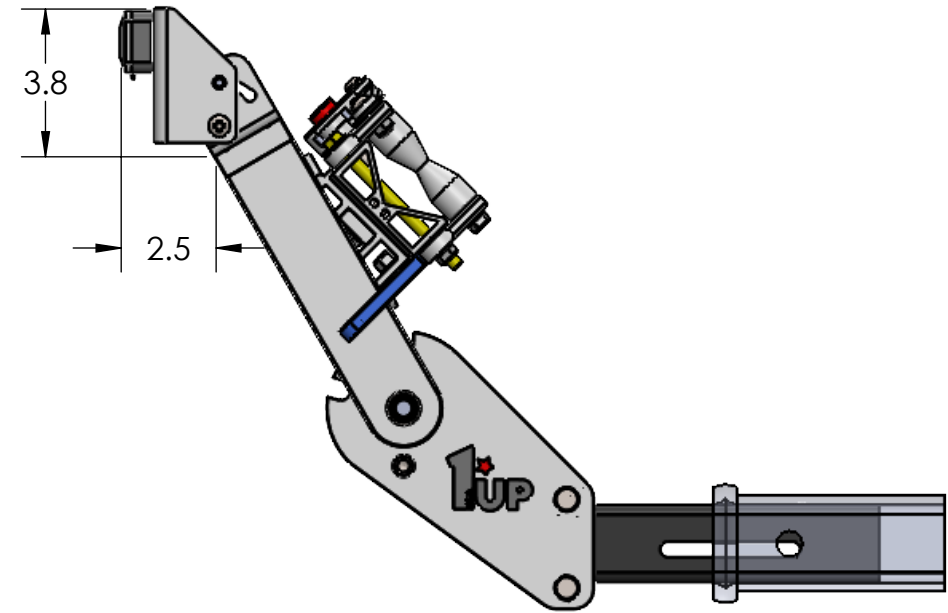
LED LIGHT BAR 2.0



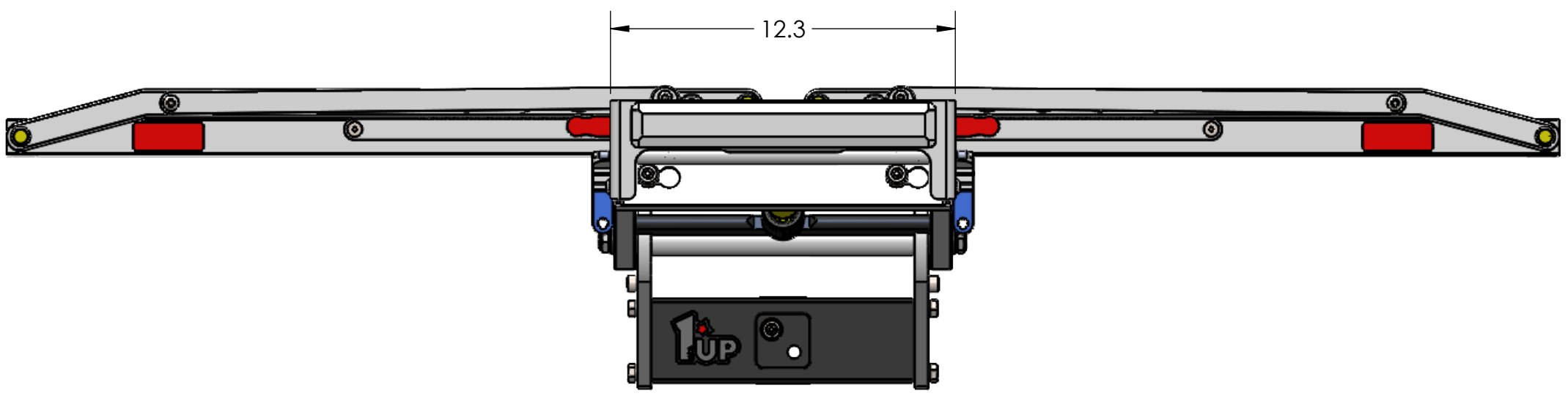
STORAGE POSITION



RIDE POSITION

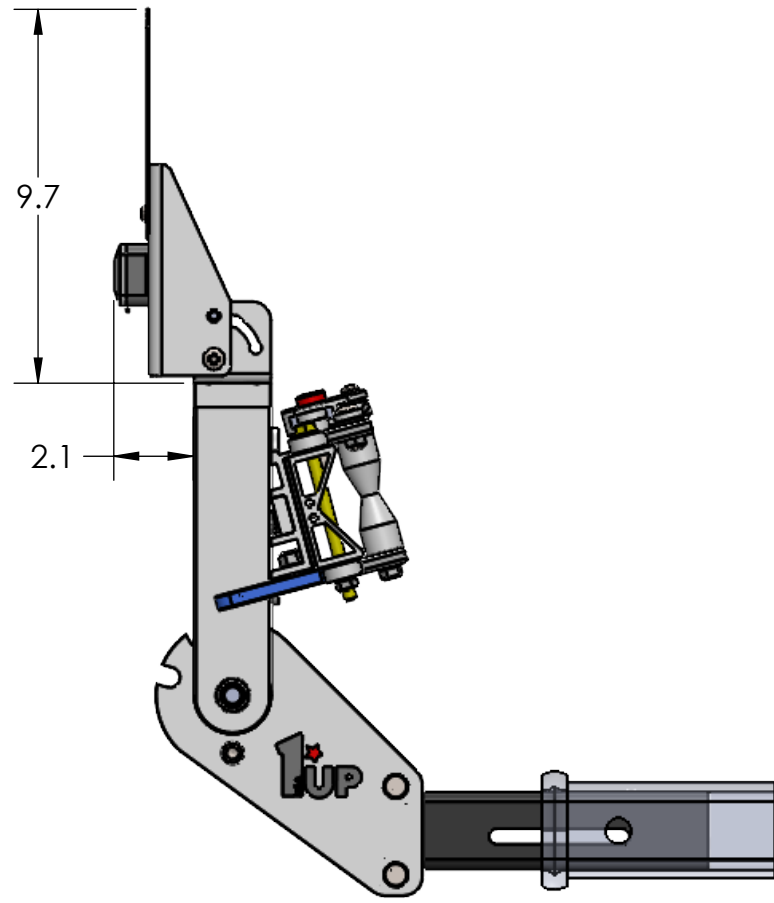


EXTRA CLEARANCE POSITION

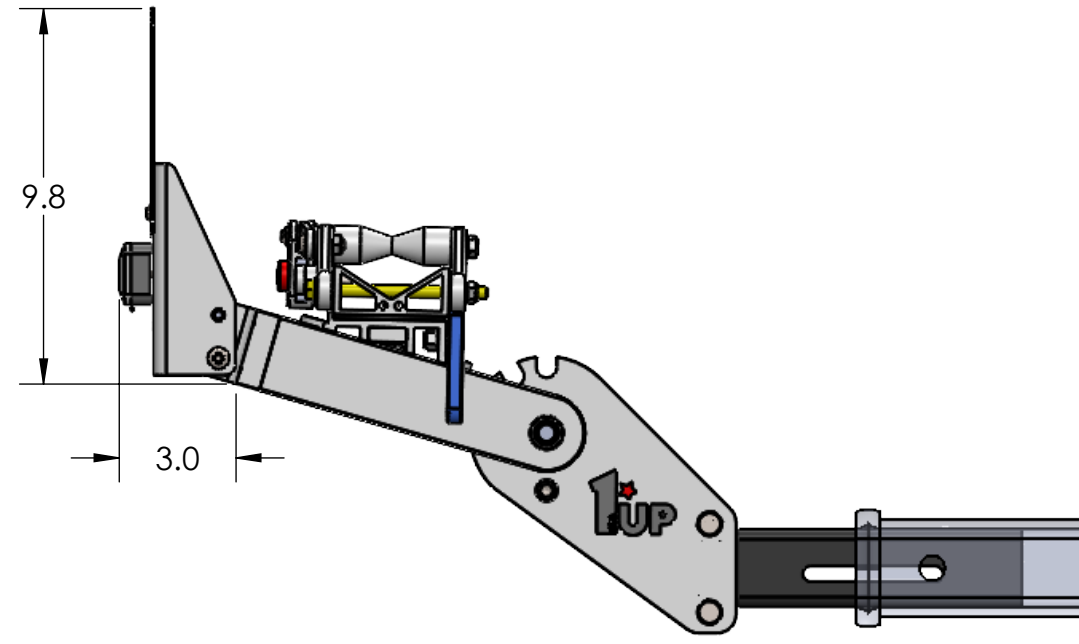


SEE BASE RACK FITMENT DRAWINGS FOR ADDITIONAL DIMENSIONS.

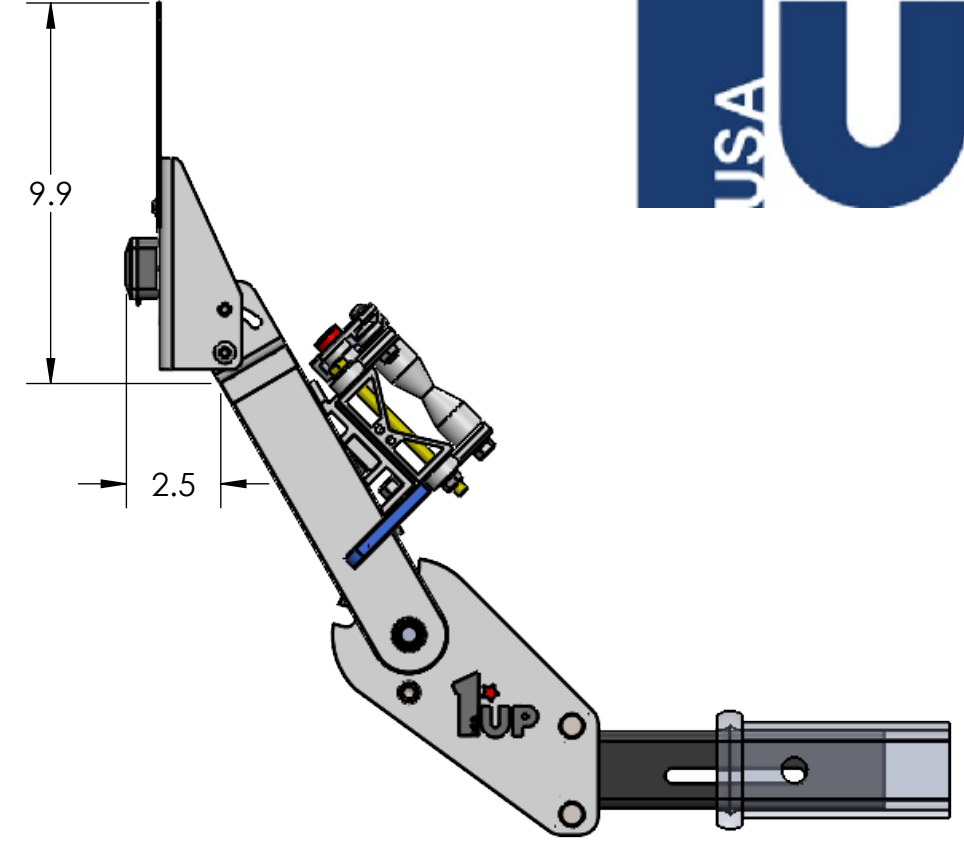
LED LIGHT BAR & PLATE HOLDER 2.0



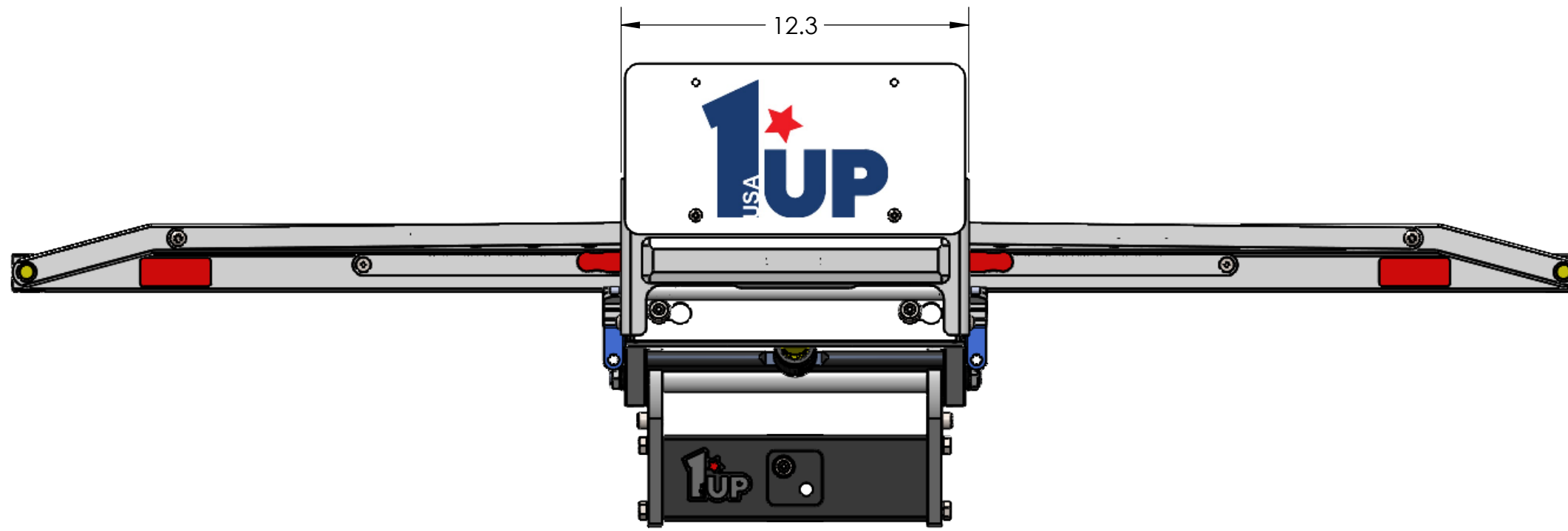
STORAGE POSITION



RIDE POSITION

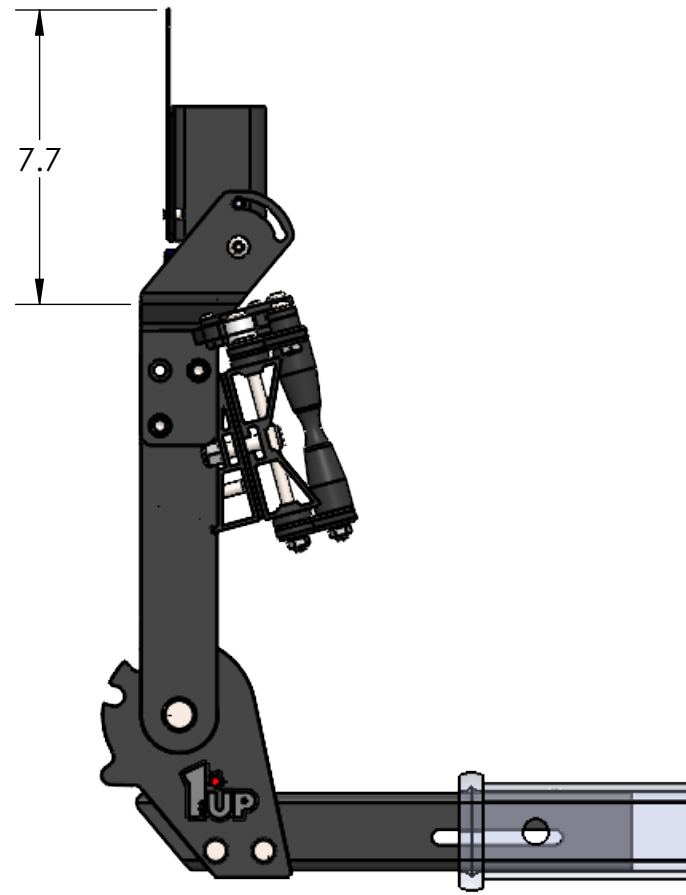


EXTRA CLEARANCE POSITION

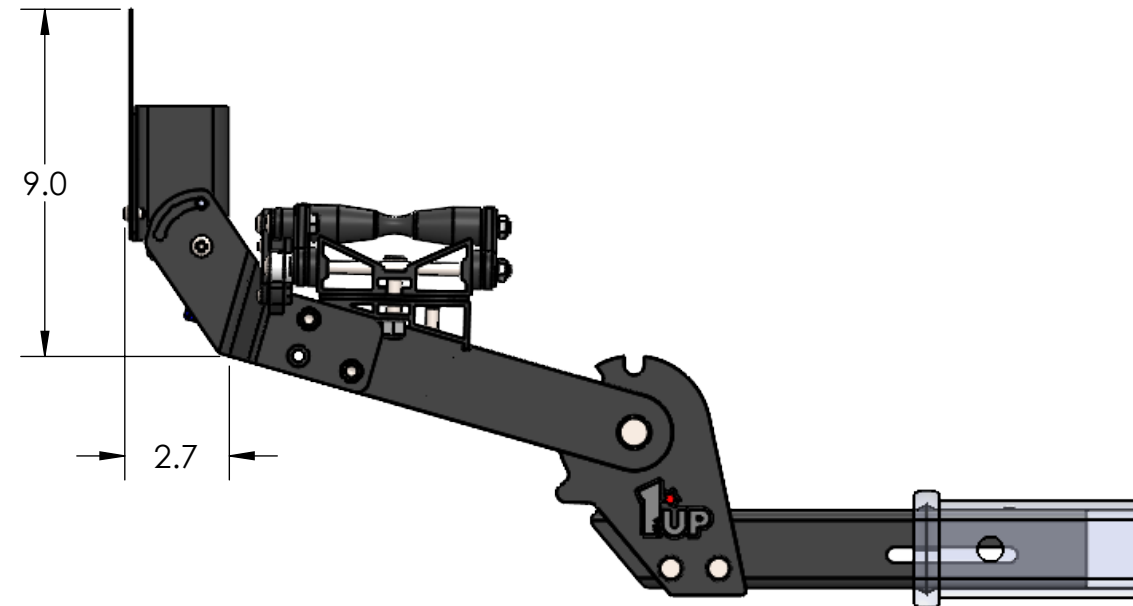


SEE BASE RACK FITMENT DRAWINGS FOR ADDITIONAL DIMENSIONS.

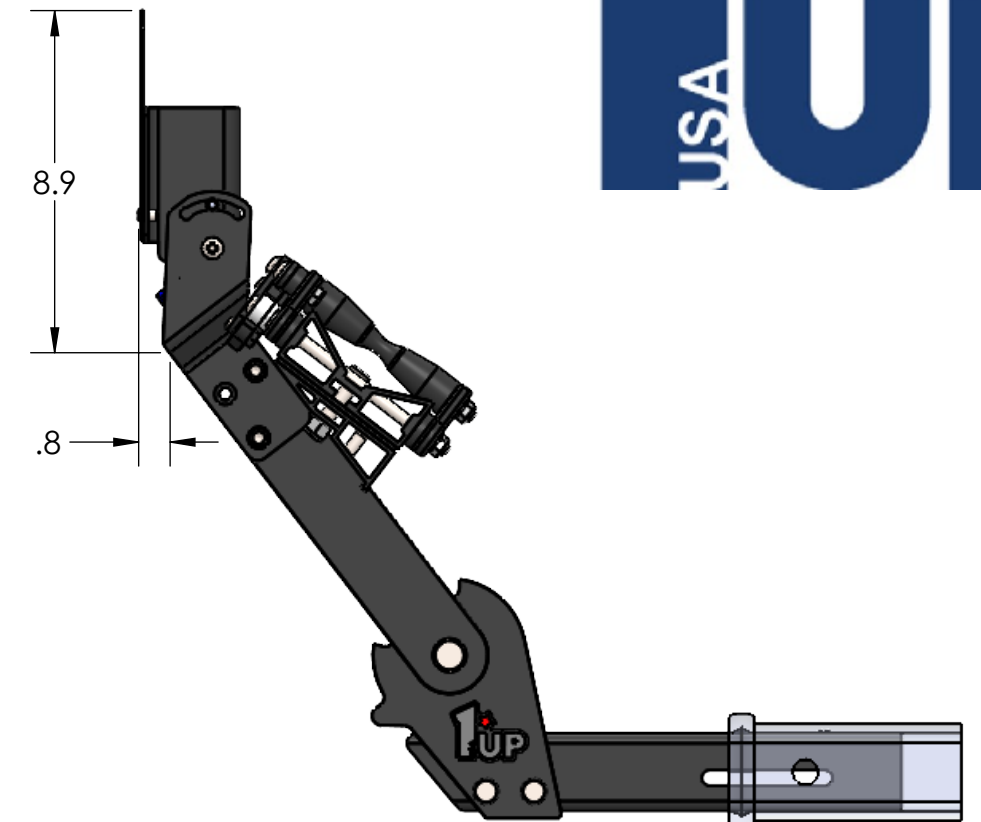
EQUIP-D LICENSE PLATE HOLDER 2.0



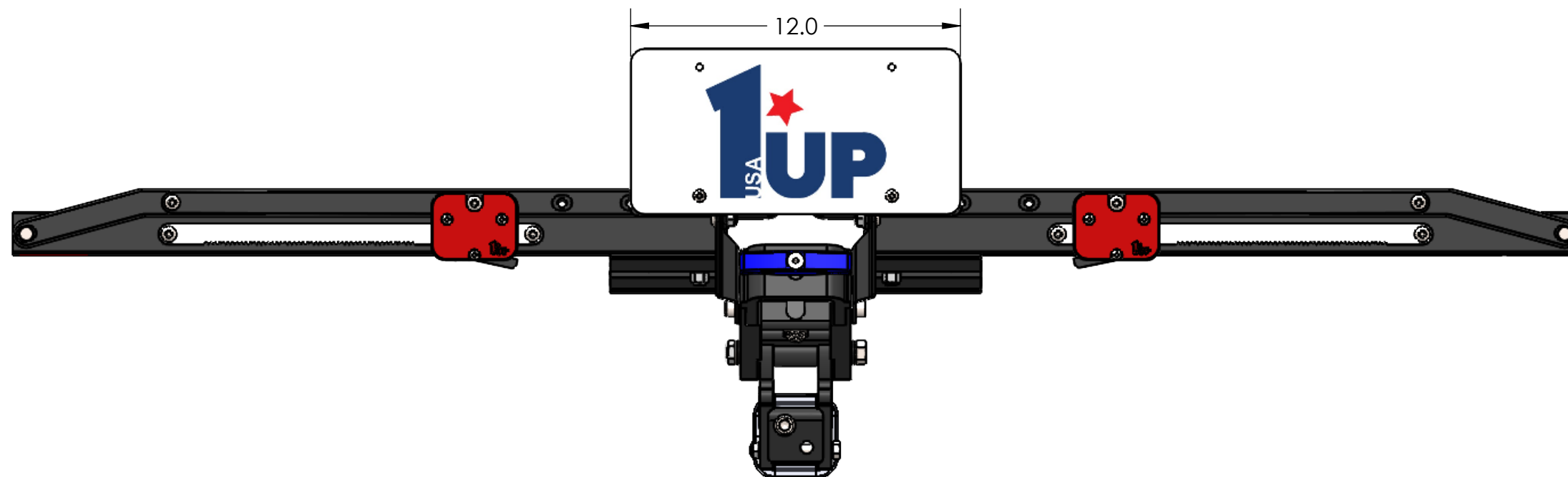
STORAGE POSITION



RIDE POSITION

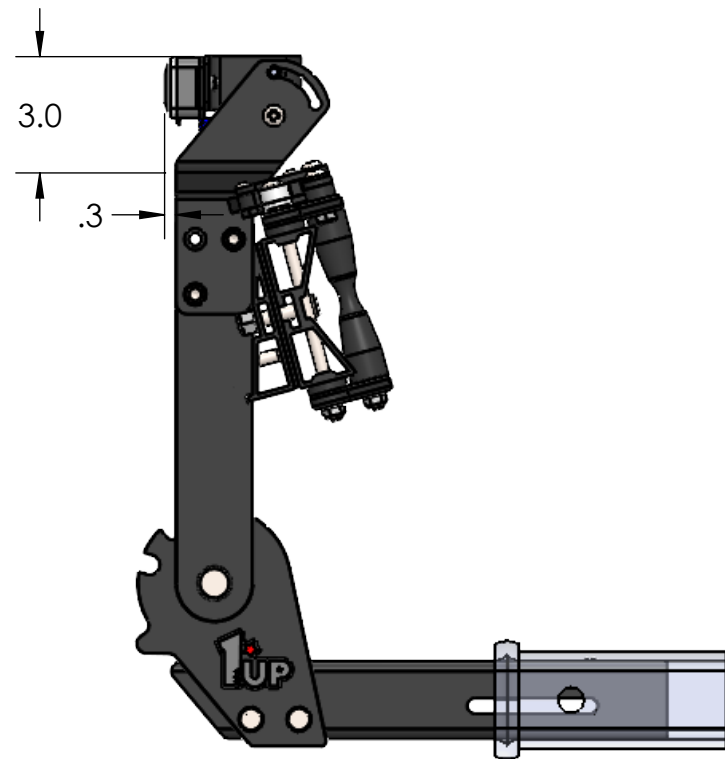


EXTRA CLEARANCE POSITION

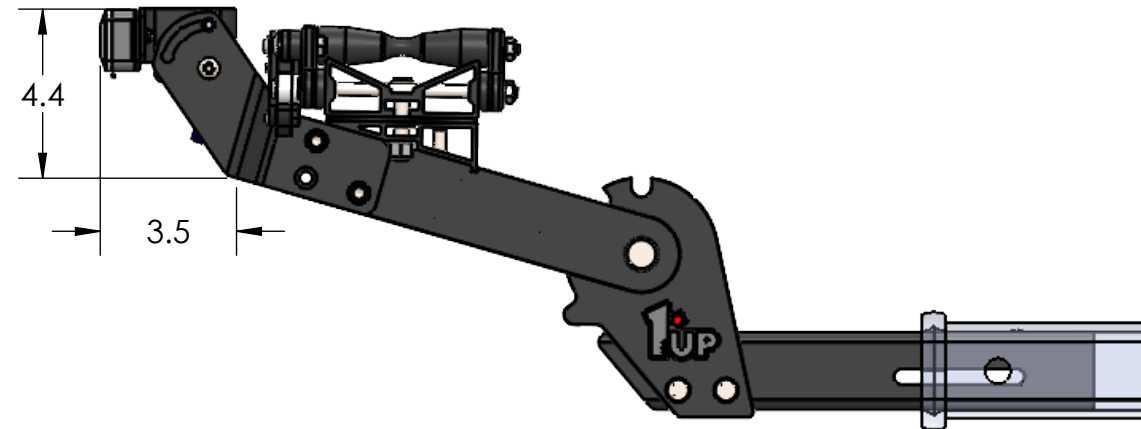


SEE BASE RACK FITMENT DRAWINGS FOR ADDITIONAL DIMENSIONS.

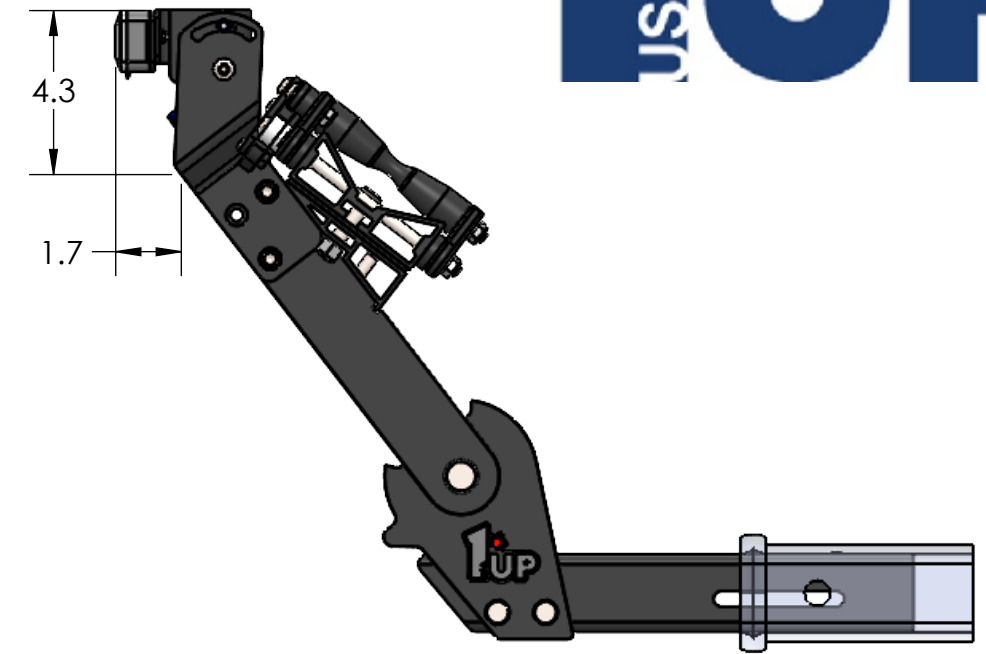
EQUIP-D LED LIGHT BAR 2.0



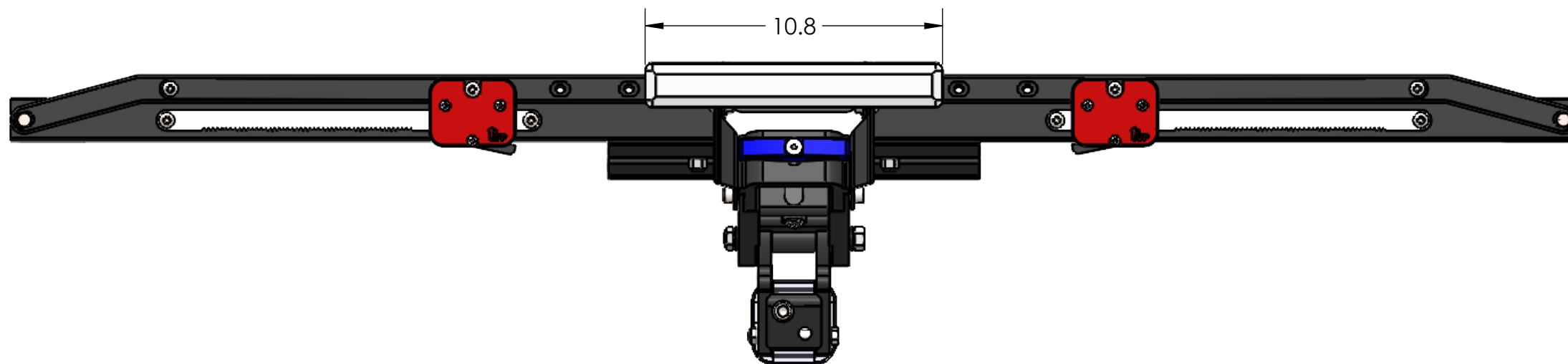
STORAGE POSITION



RIDE POSITION

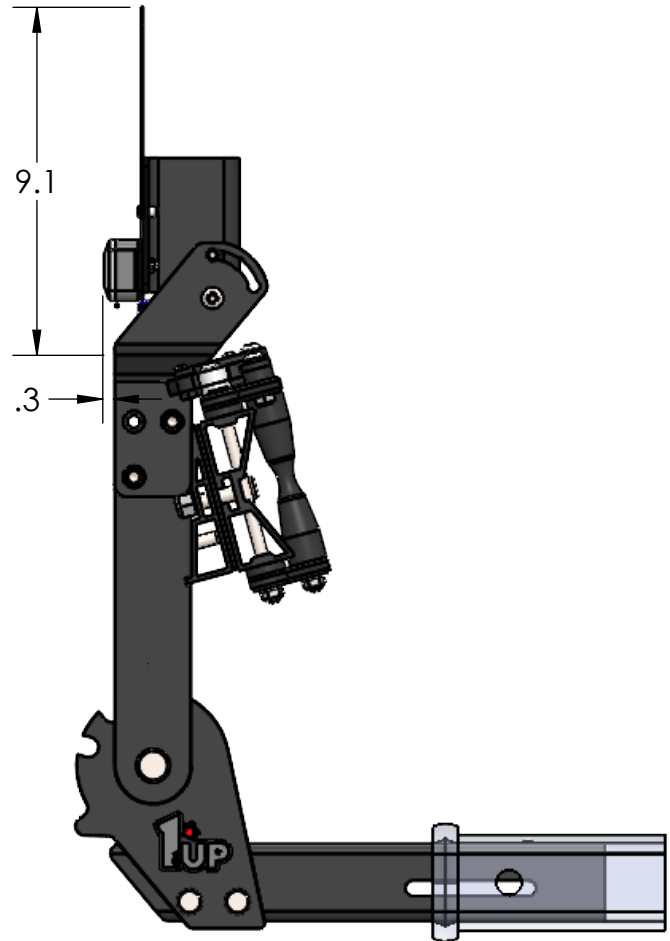


EXTRA CLEARANCE POSITION

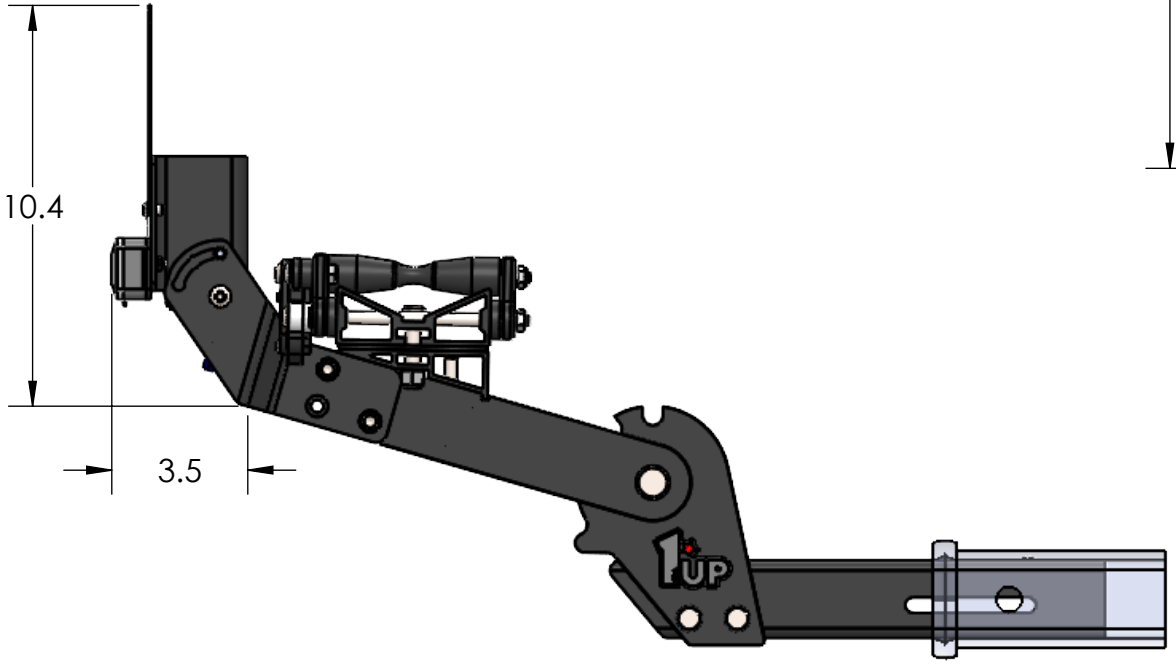


SEE BASE RACK FITMENT DRAWINGS FOR ADDITIONAL DIMENSIONS.

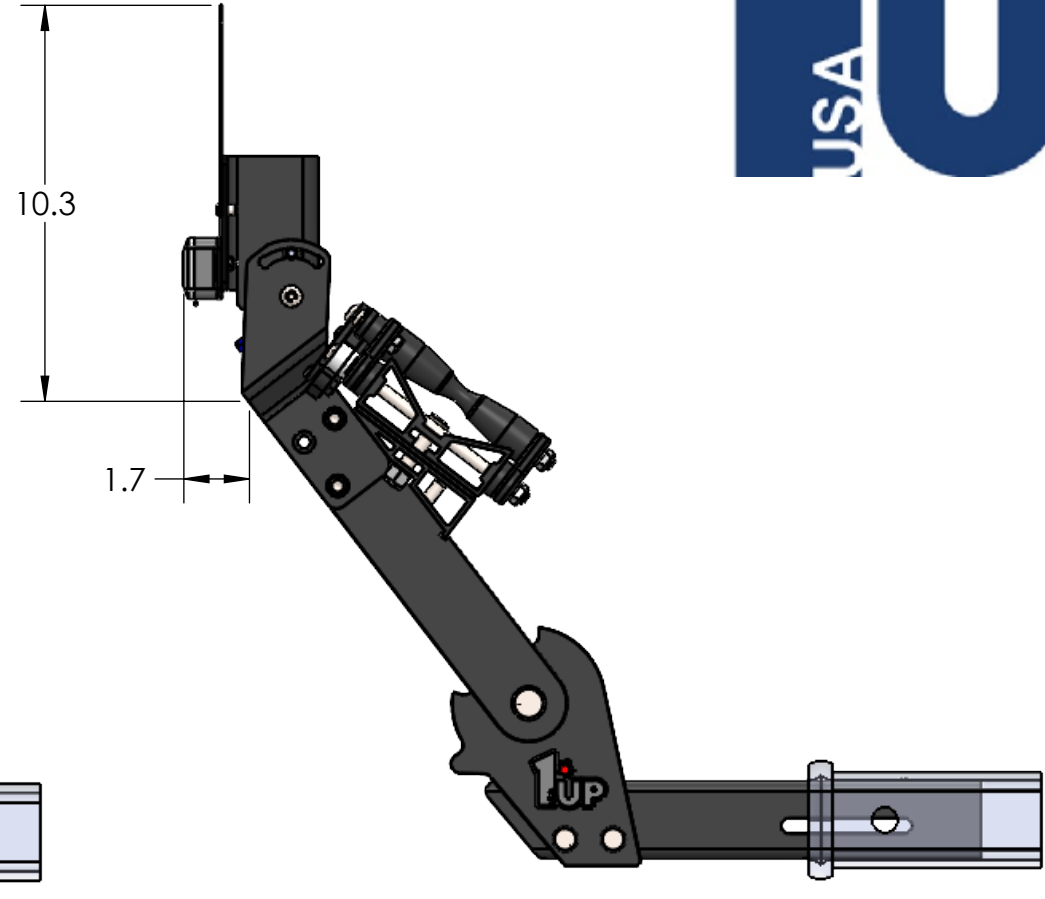
EQUIP-D LED LIGHT BAR & PLATE HOLDER 2.0



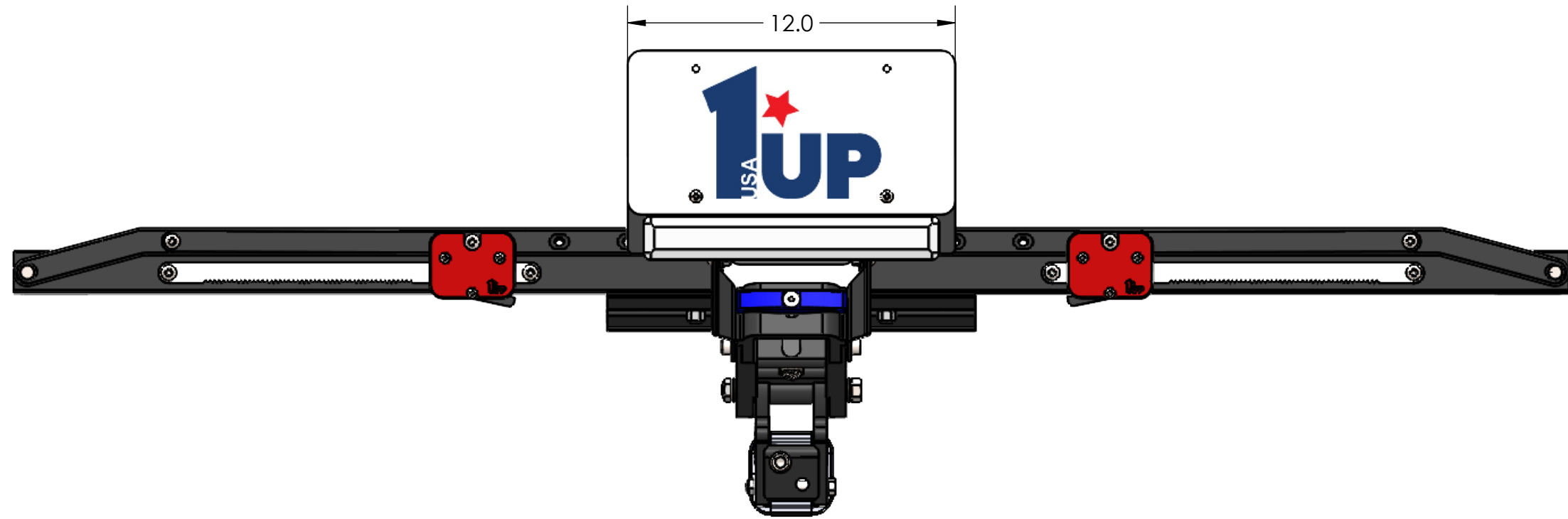
STORAGE POSITION



RIDE POSITION



EXTRA CLEARANCE POSITION



SEE BASE RACK FITMENT DRAWINGS FOR ADDITIONAL DIMENSIONS.