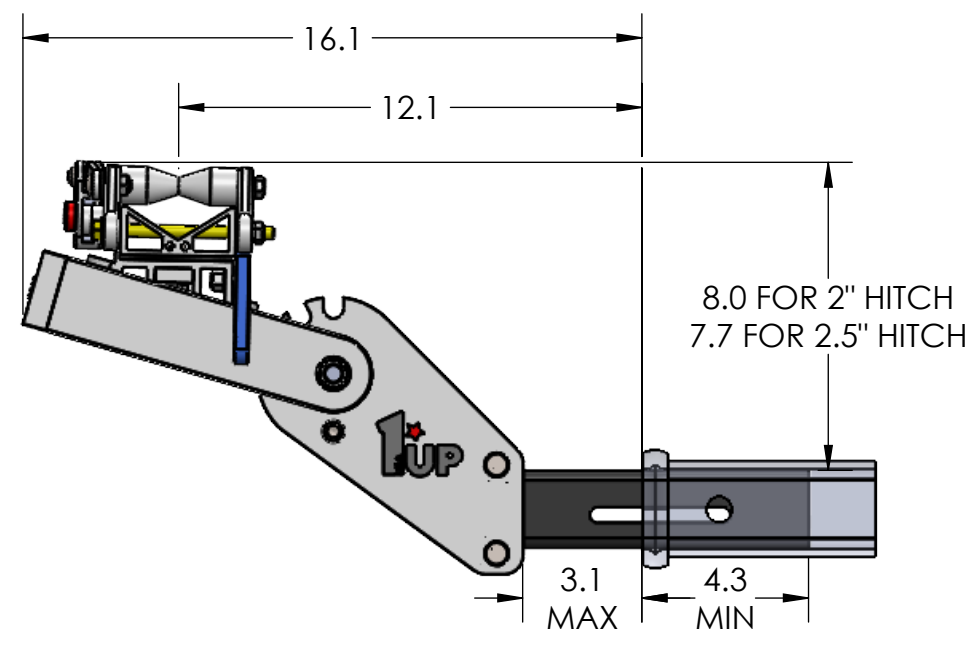
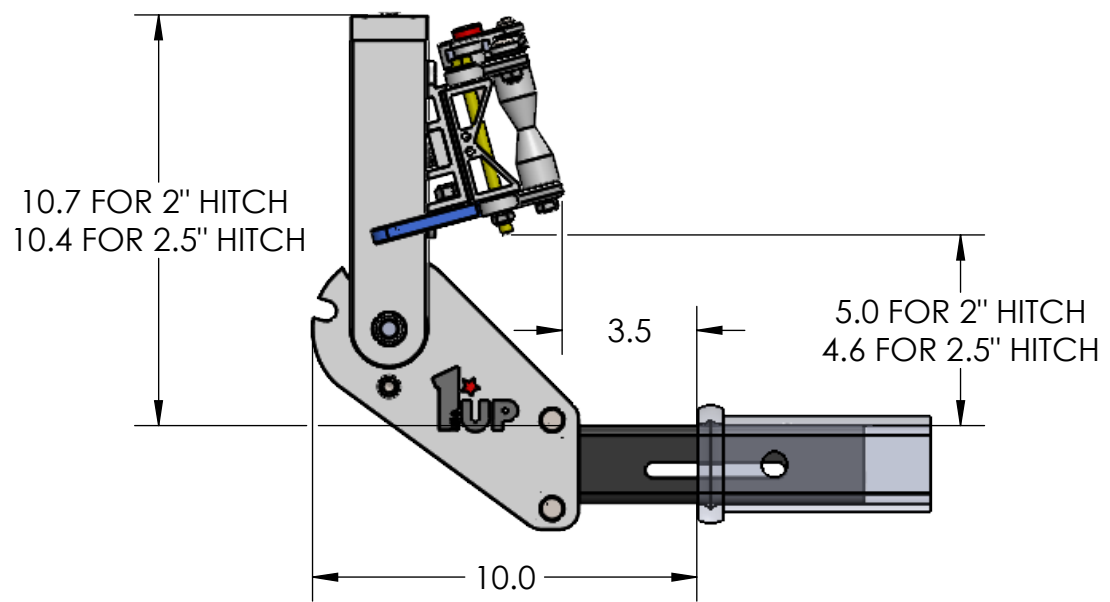


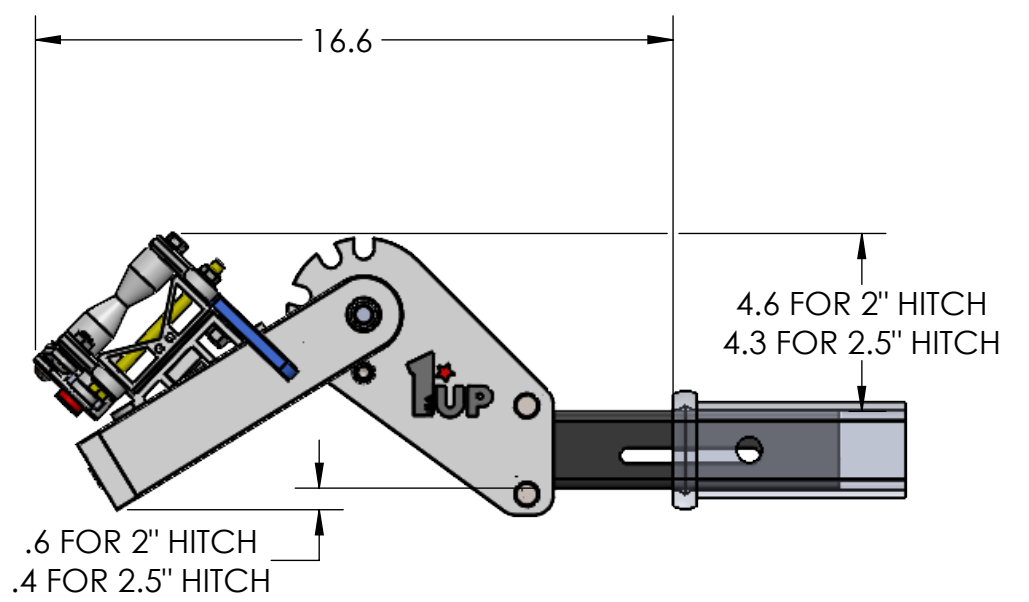
HEAVY DUTY SINGLE



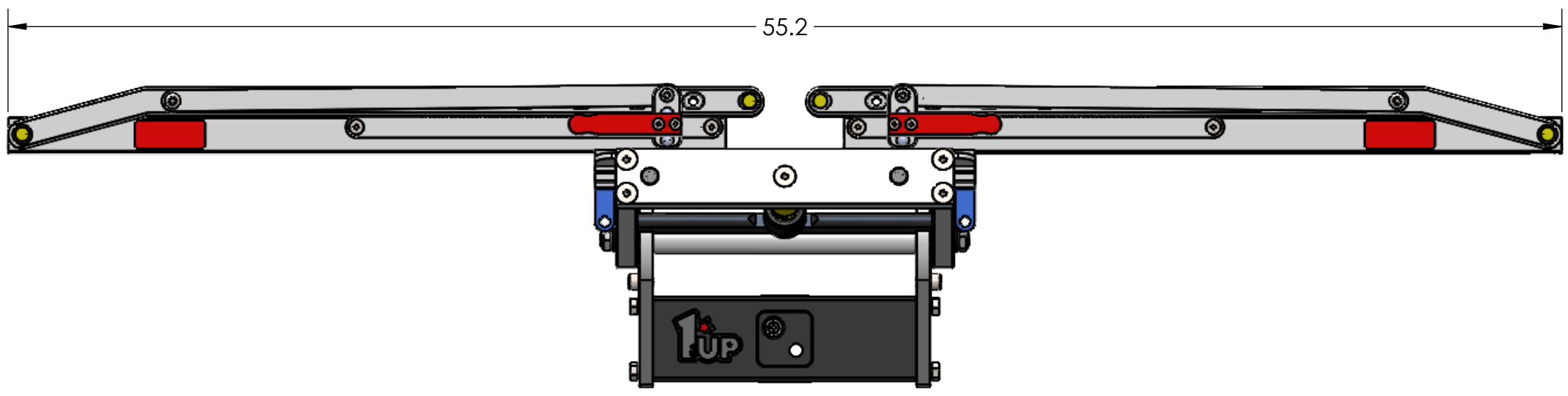
RIDE POSITION



STORAGE POSITION

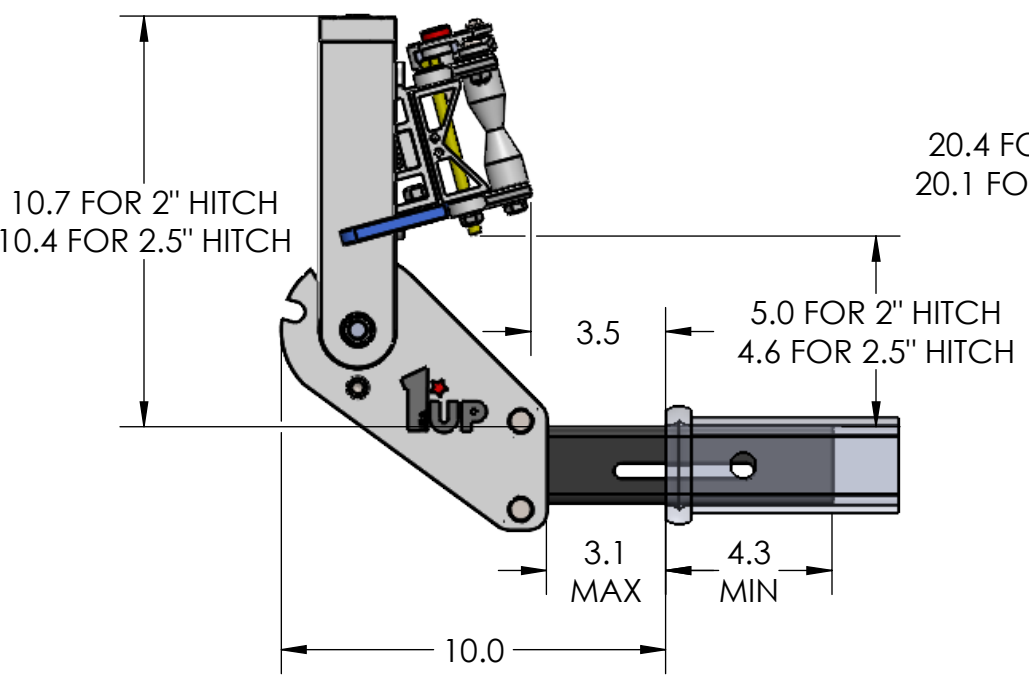


DOWN POSITION

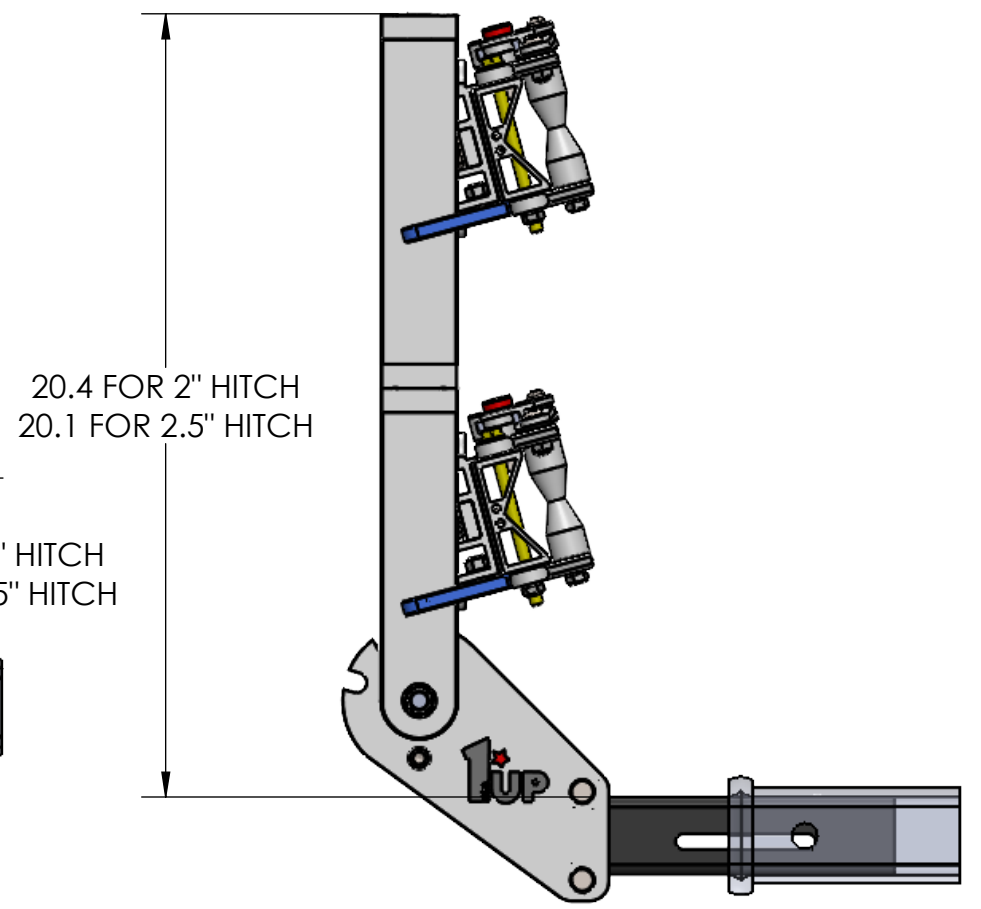


OVERALL WIDTH

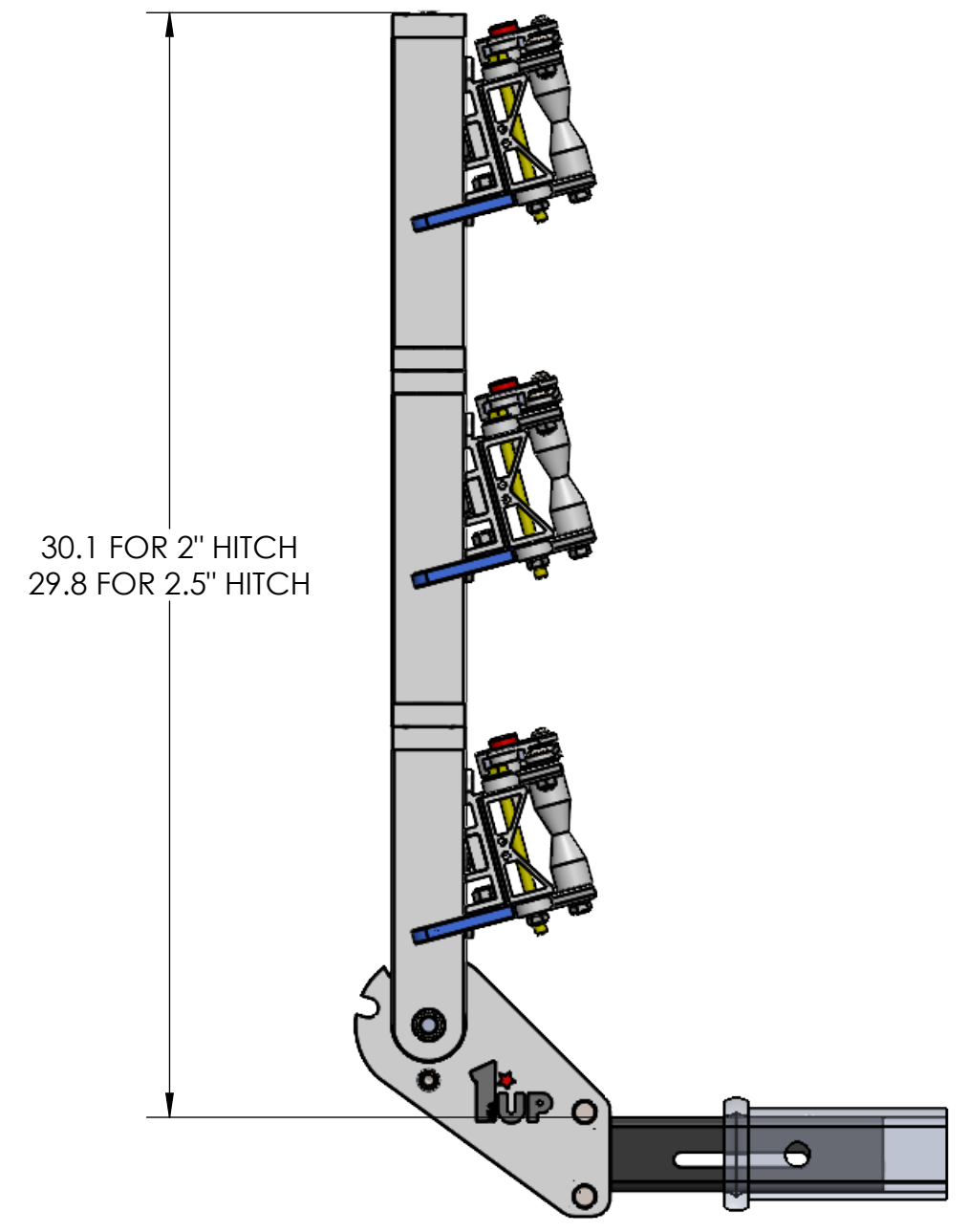
HEAVY DUTY SINGLE - STORAGE POSITION



BASE RACK

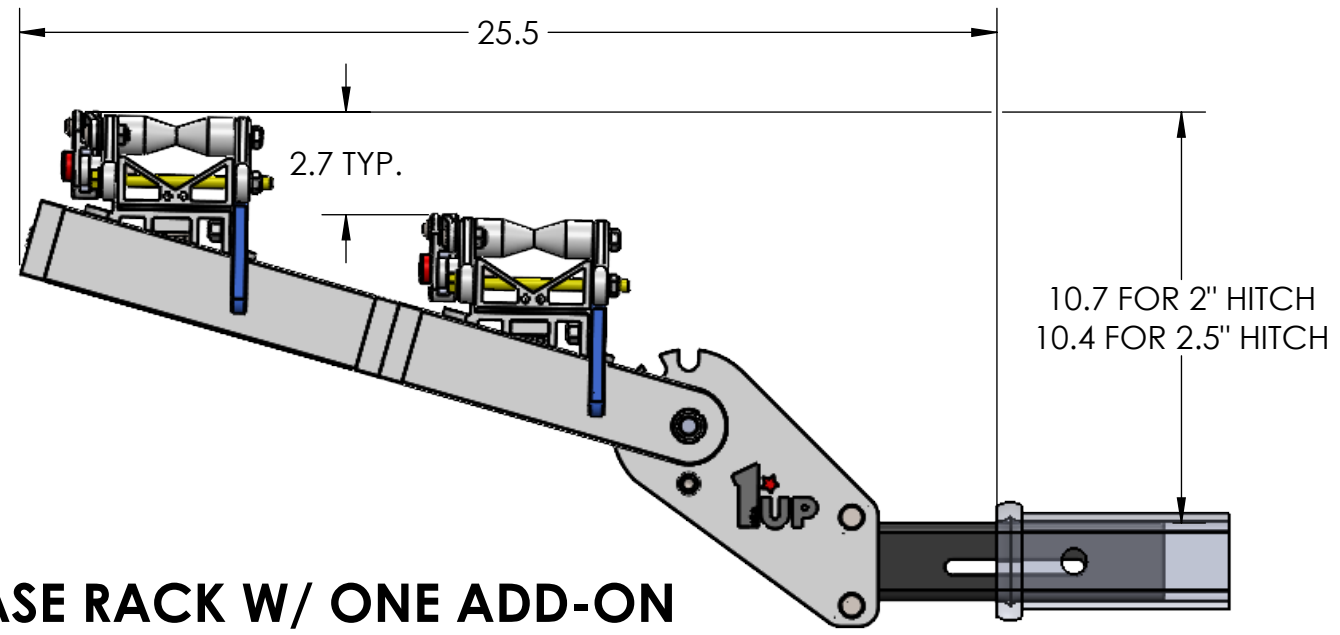


BASE RACK W/ ONE ADD-ON

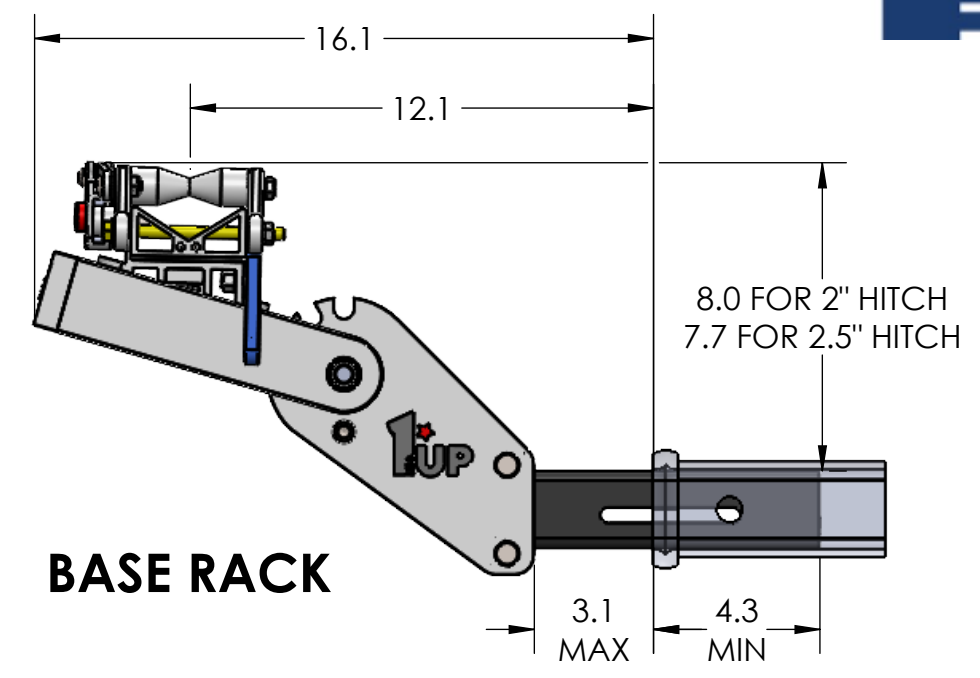


BASE RACK W/ TWO ADD-ONS

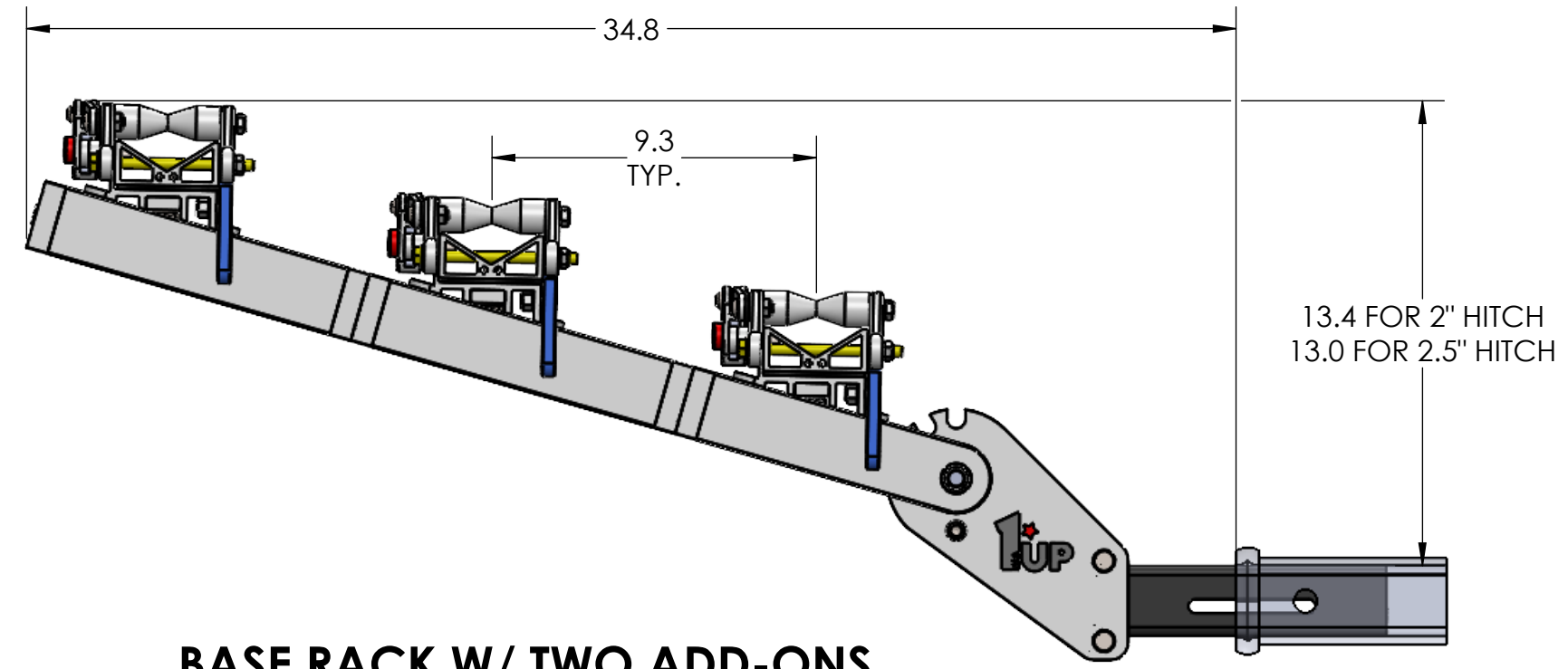
HEAVY DUTY SINGLE - RIDE POSITION



BASE RACK W/ ONE ADD-ON

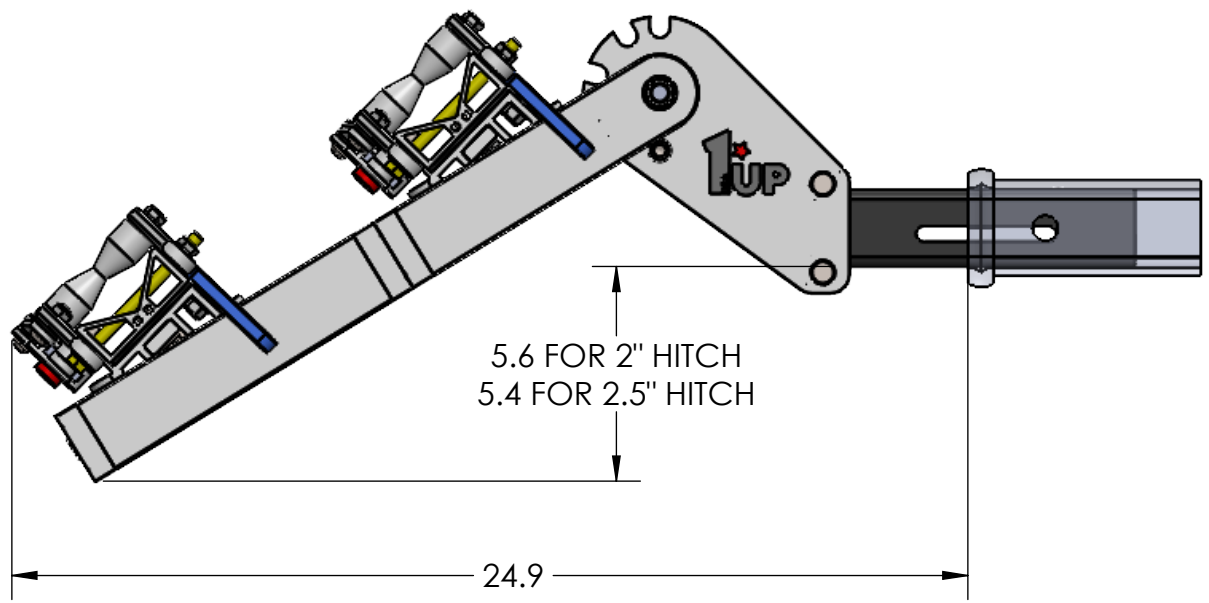


BASE RACK

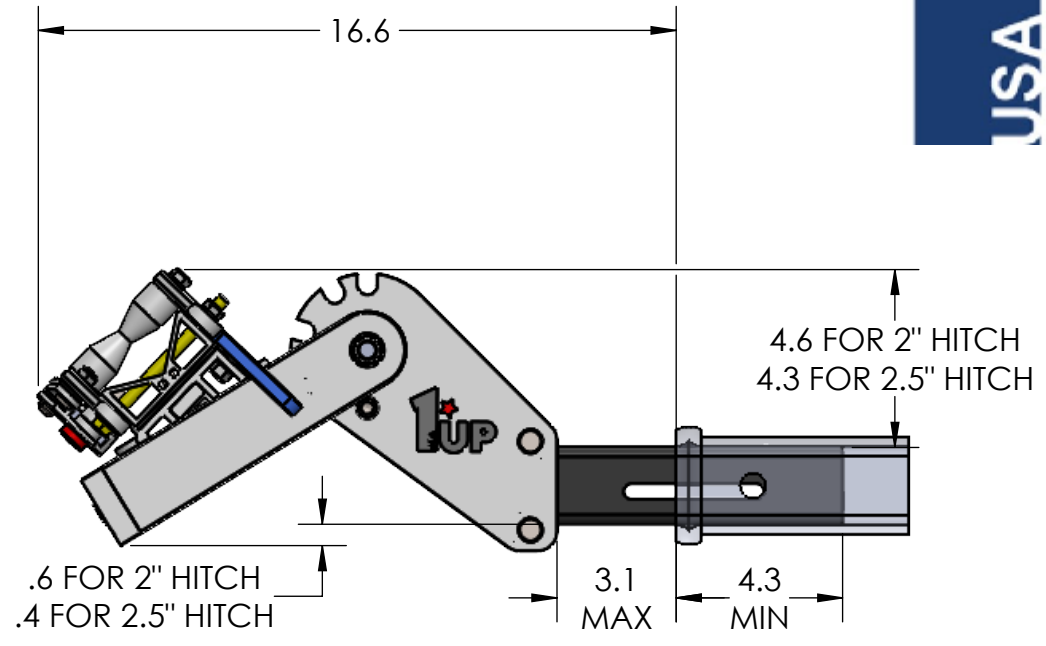


BASE RACK W/ TWO ADD-ONS

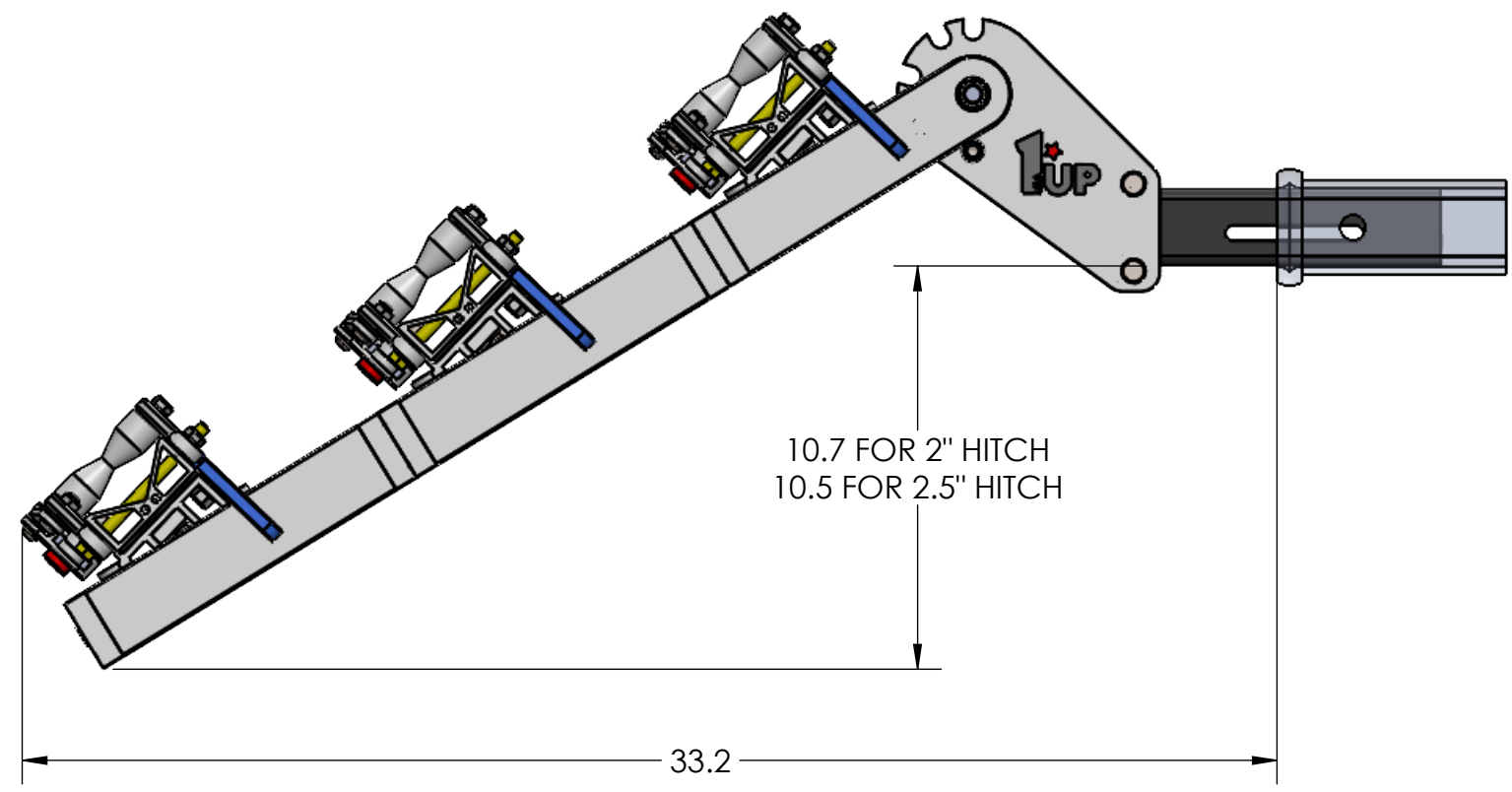
HEAVY DUTY SINGLE - DOWN POSITION



BASE RACK W/ ONE ADD-ON

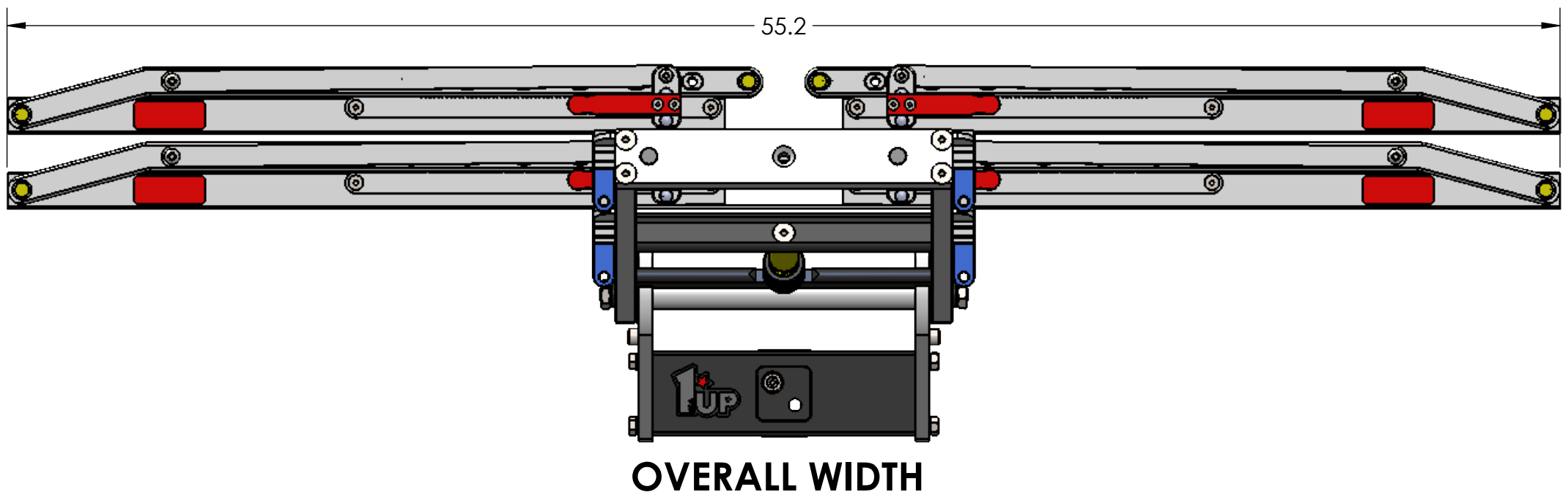
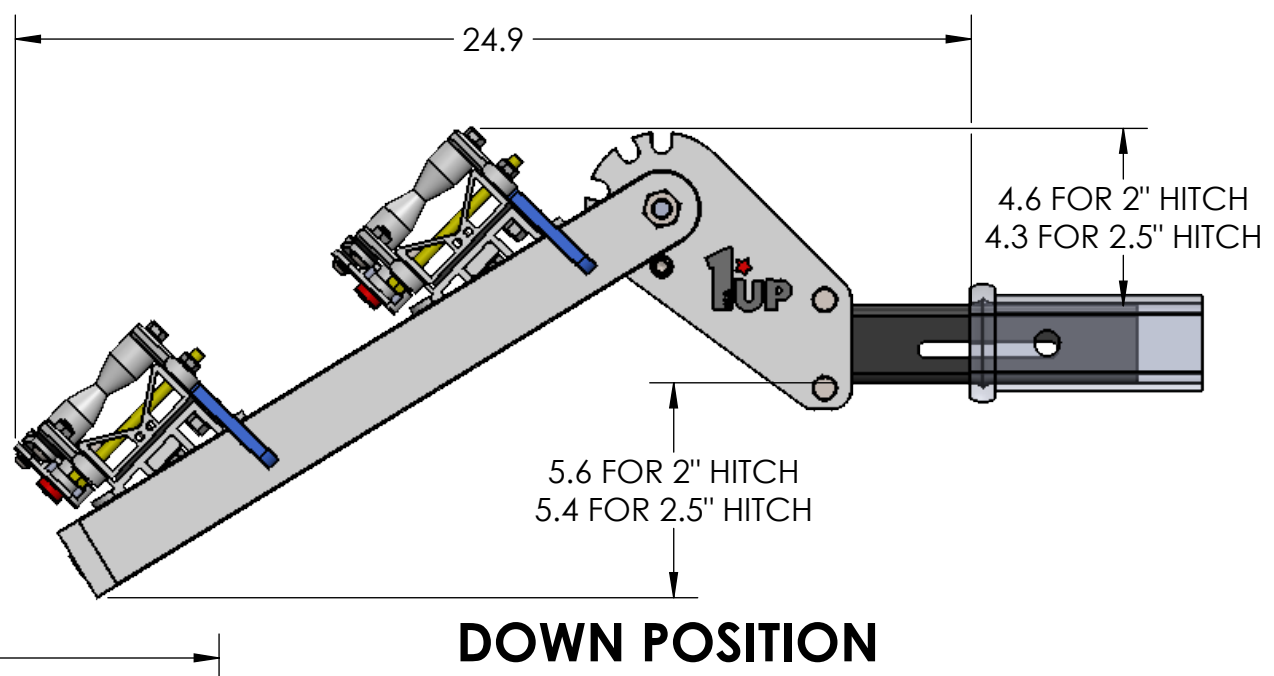
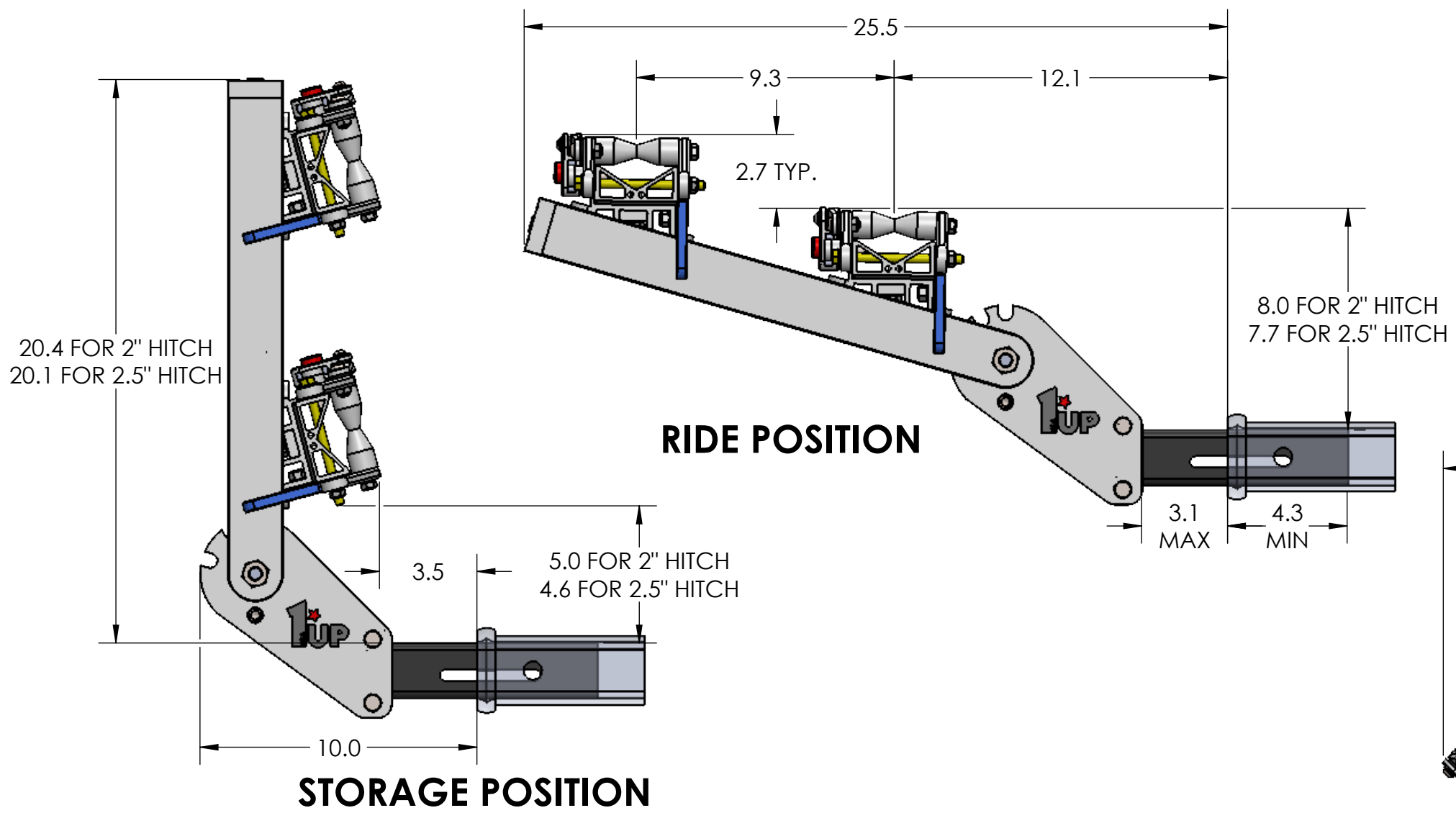


BASE RACK

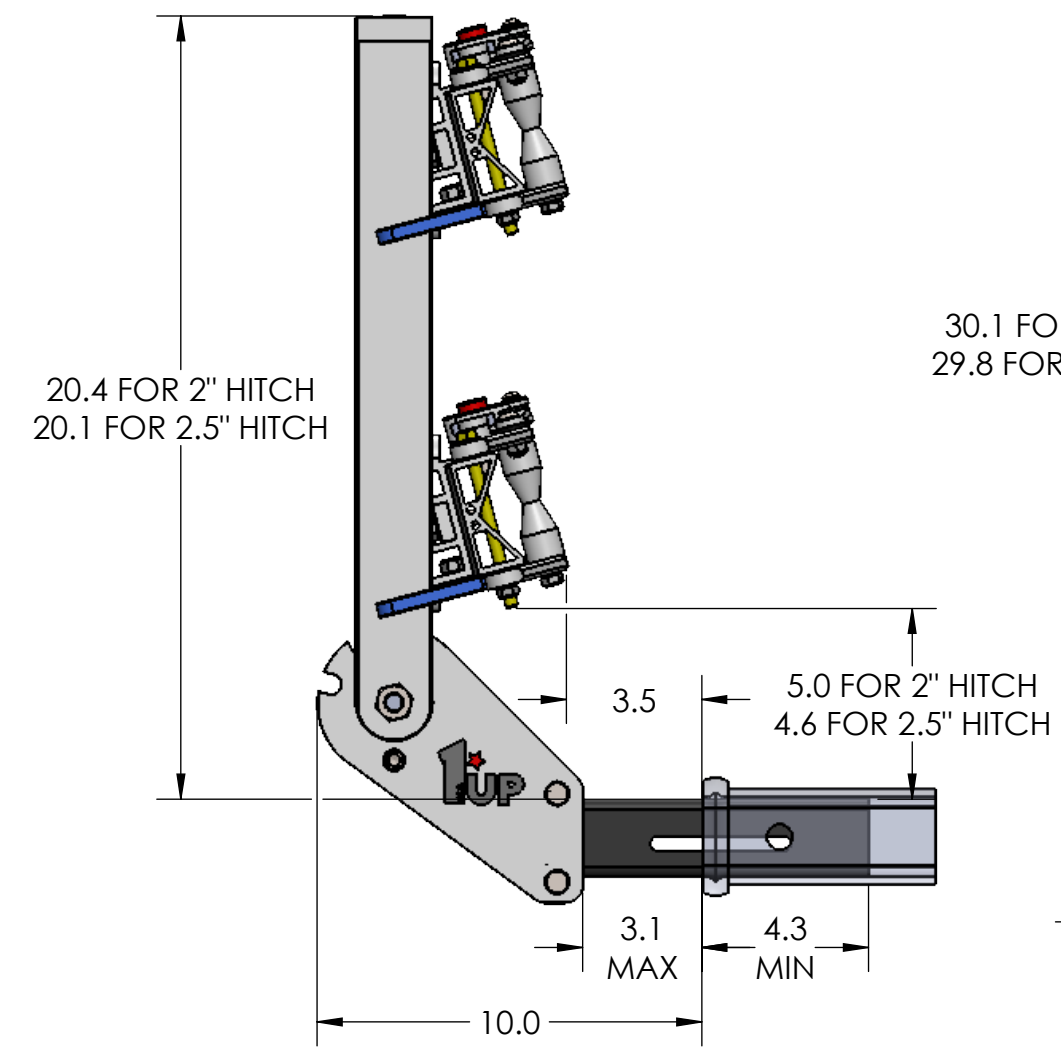


BASE RACK W/ TWO ADD-ONS

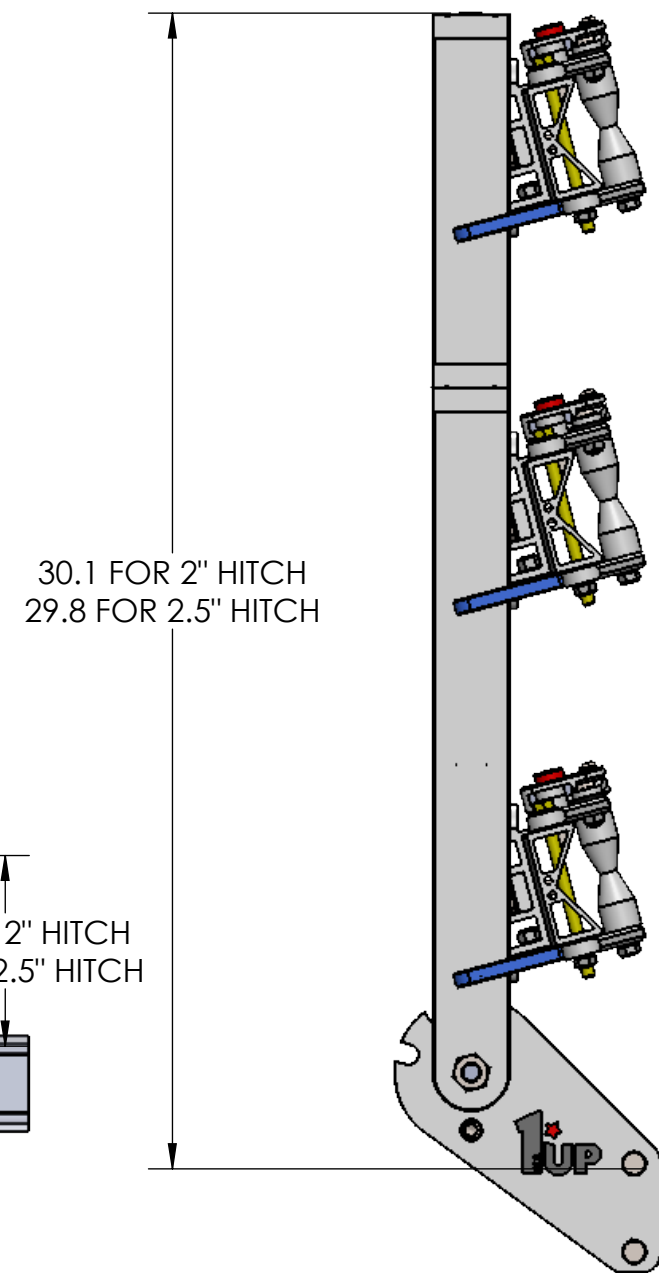
HEAVY DUTY DOUBLE



HEAVY DUTY DOUBLE - STORAGE POSITION

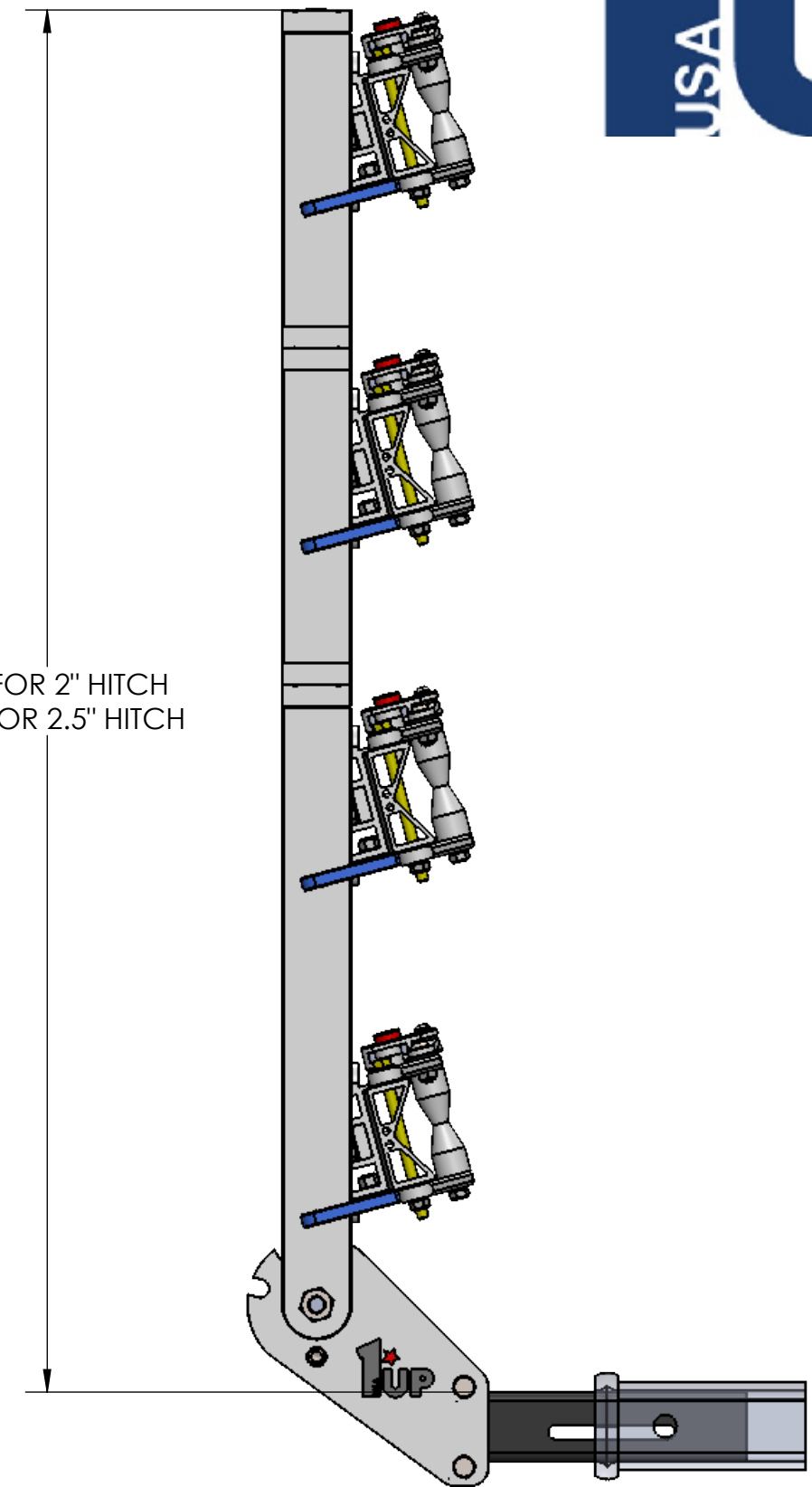


BASE RACK



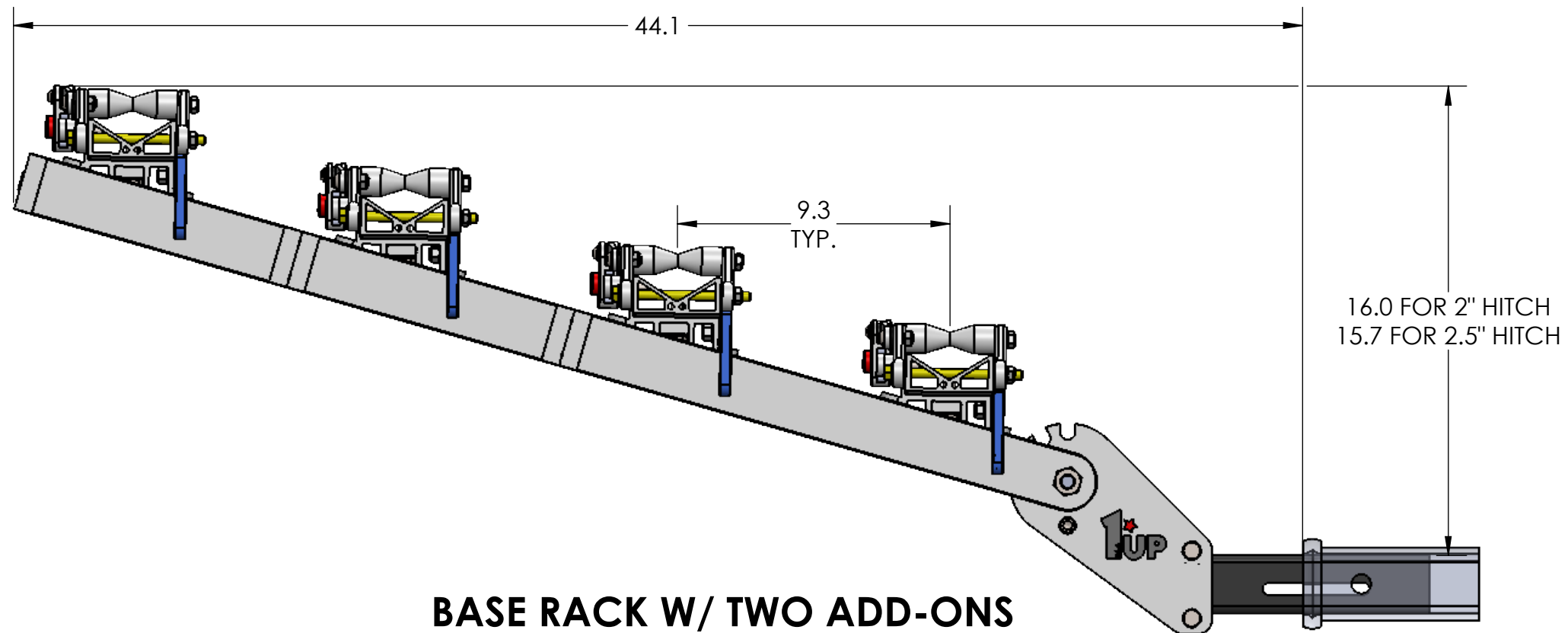
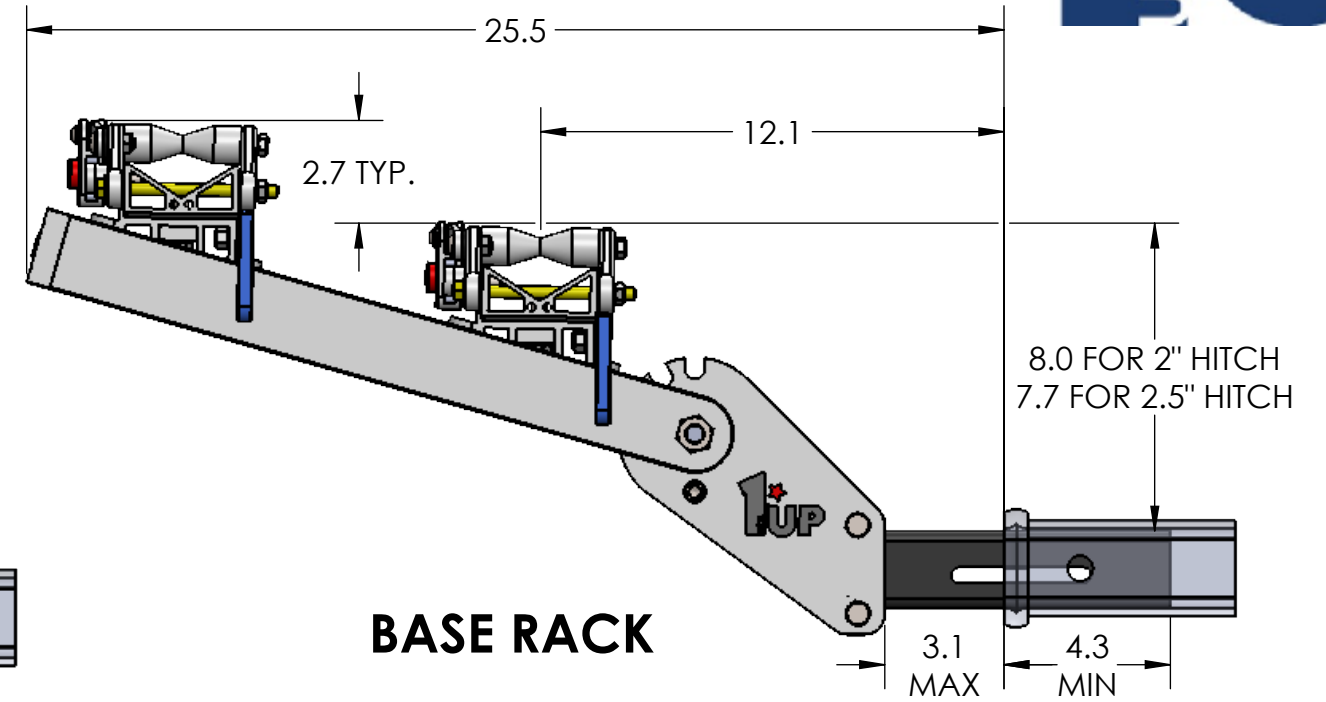
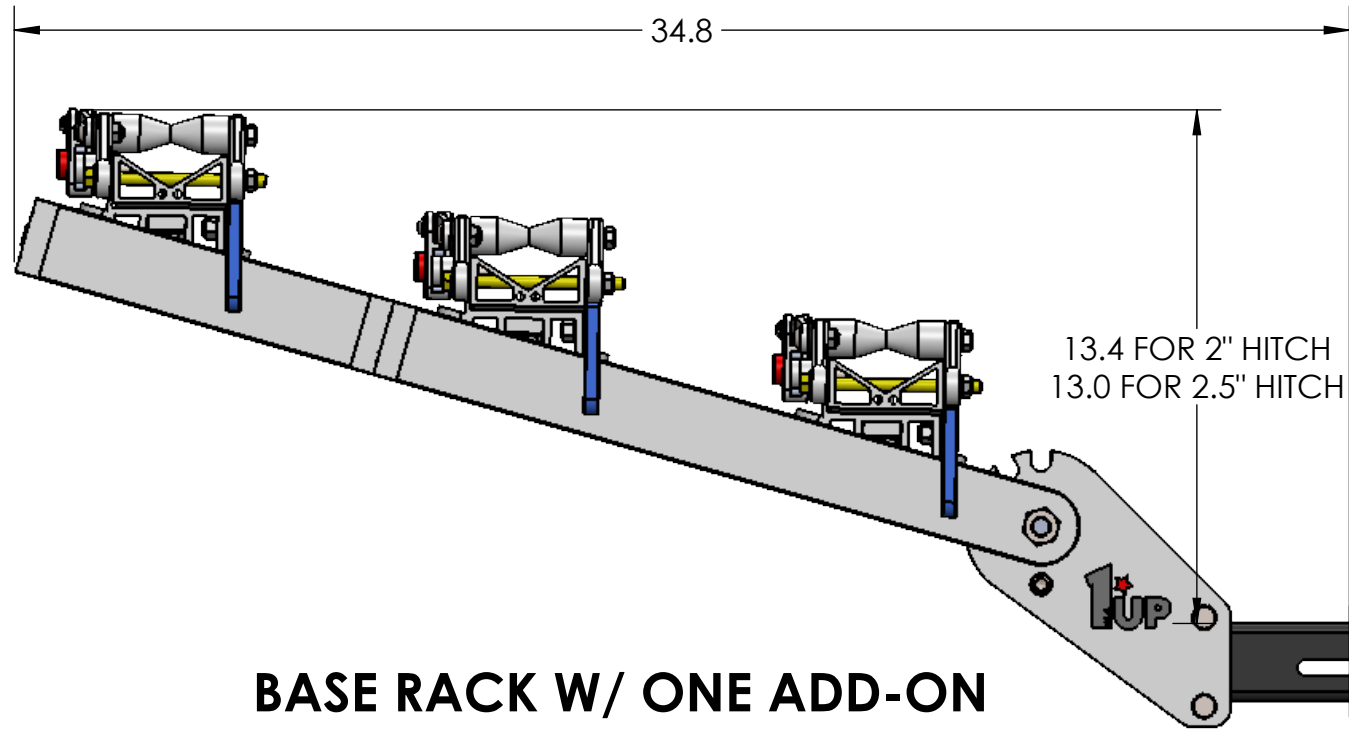
BASE RACK W/ ONE ADD-ON

39.8 FOR 2" HITCH
39.5 FOR 2.5" HITCH

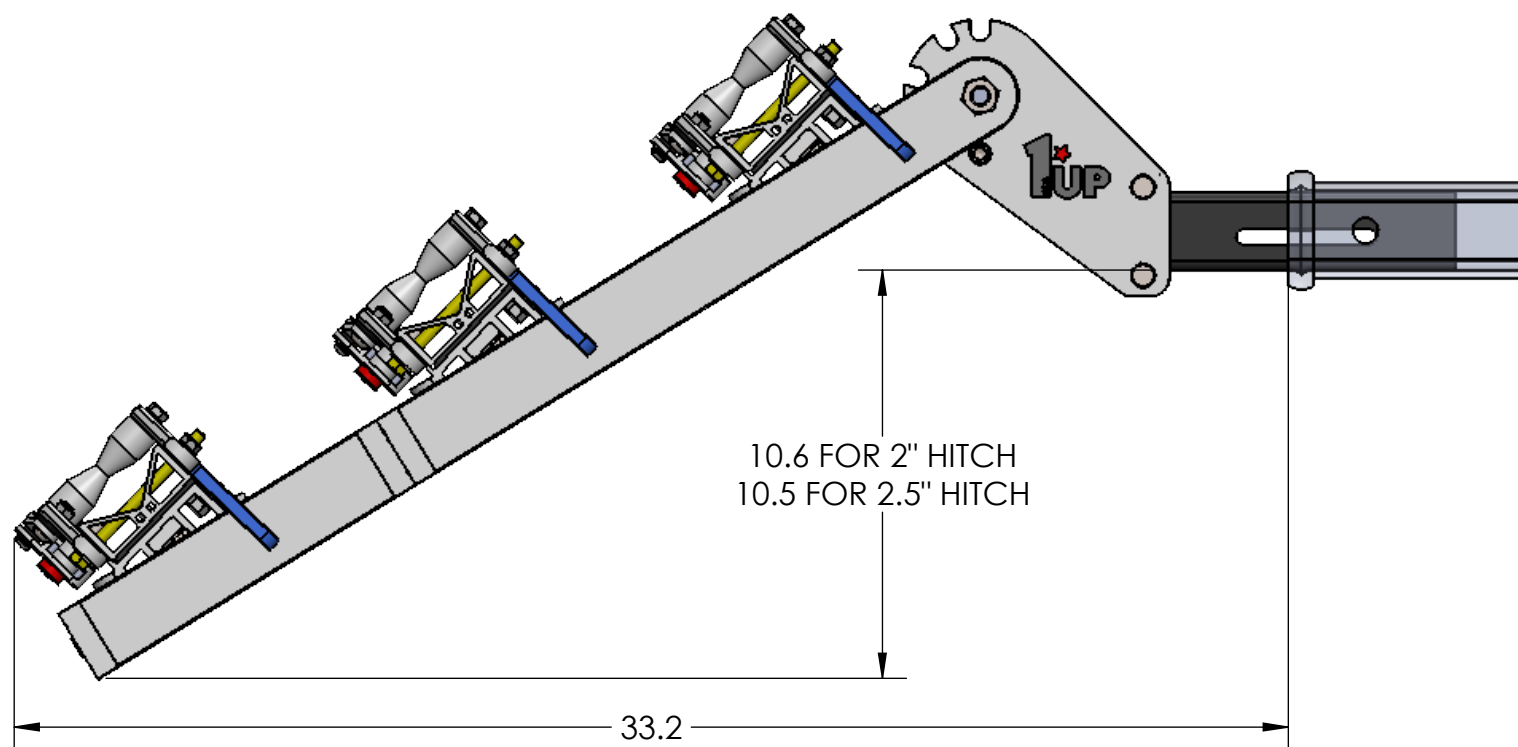


BASE RACK W/ TWO ADD-ONS

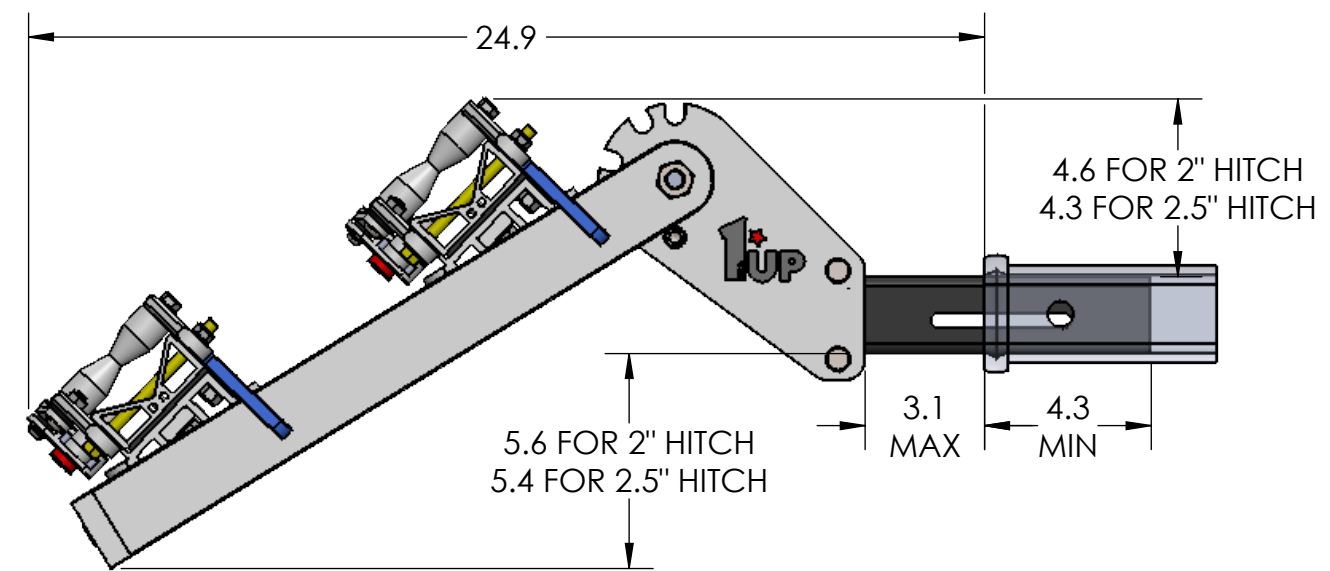
HEAVY DUTY DOUBLE - RIDE POSITION



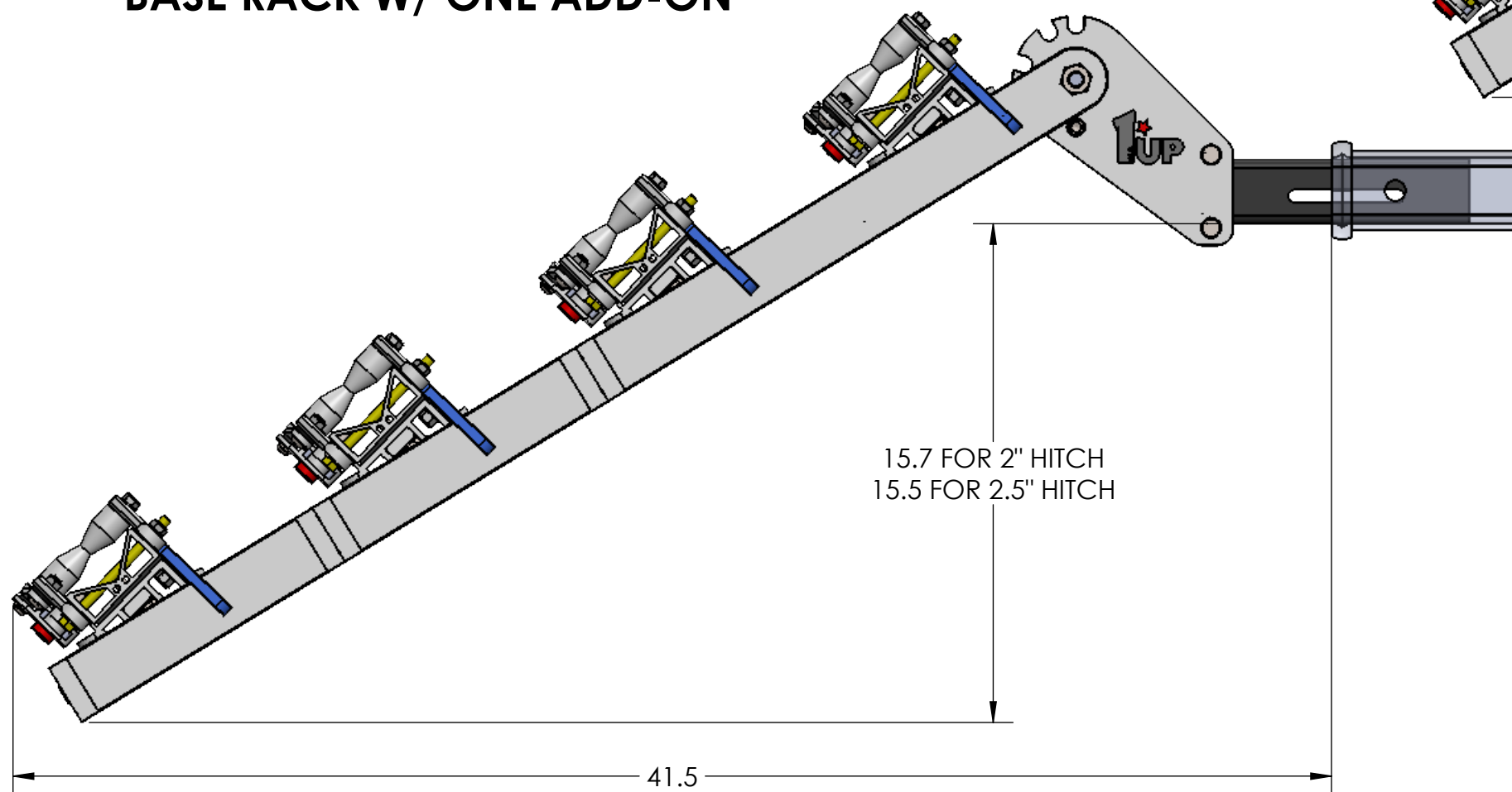
HEAVY DUTY DOUBLE - DOWN POSITION



BASE RACK W/ ONE ADD-ON



BASE RACK



BASE RACK W/ TWO ADD-ONS