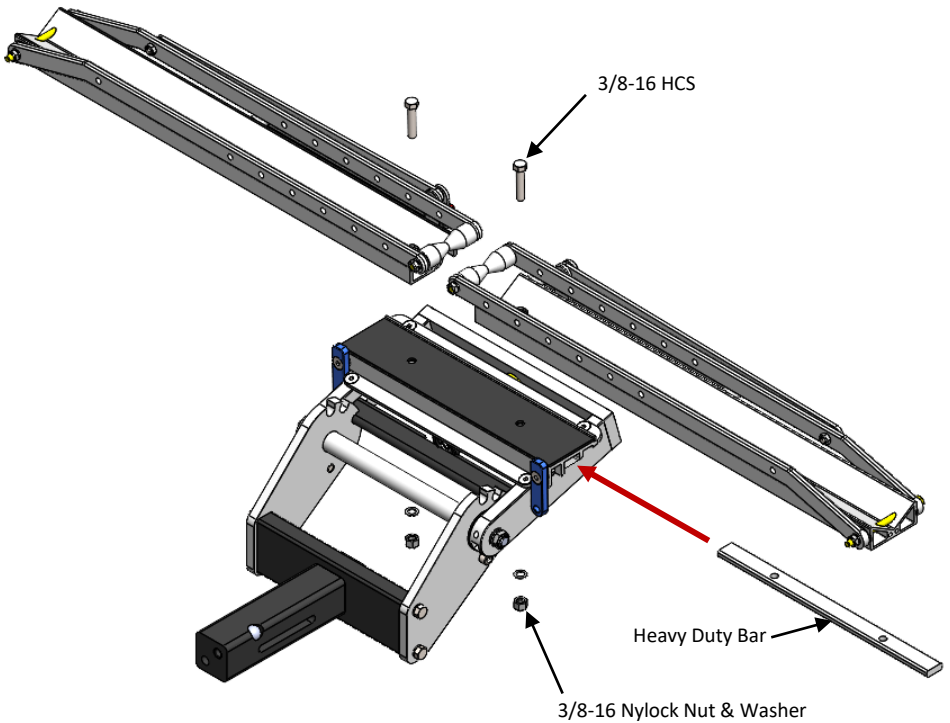


## INSTALLING HEAVY DUTY BAR

- Install Heavy Duty Bar as shown below using provided hardware. Both trays must be removed before installing.
- Tools required (not included):
  - 9/16" socket to remove/install tray fasteners.



**Note:** *Periodically tighten fasteners to ensure secure connection.*

Questions or comments? Contact our support team via email at [email@1up-usa.com](mailto:email@1up-usa.com)