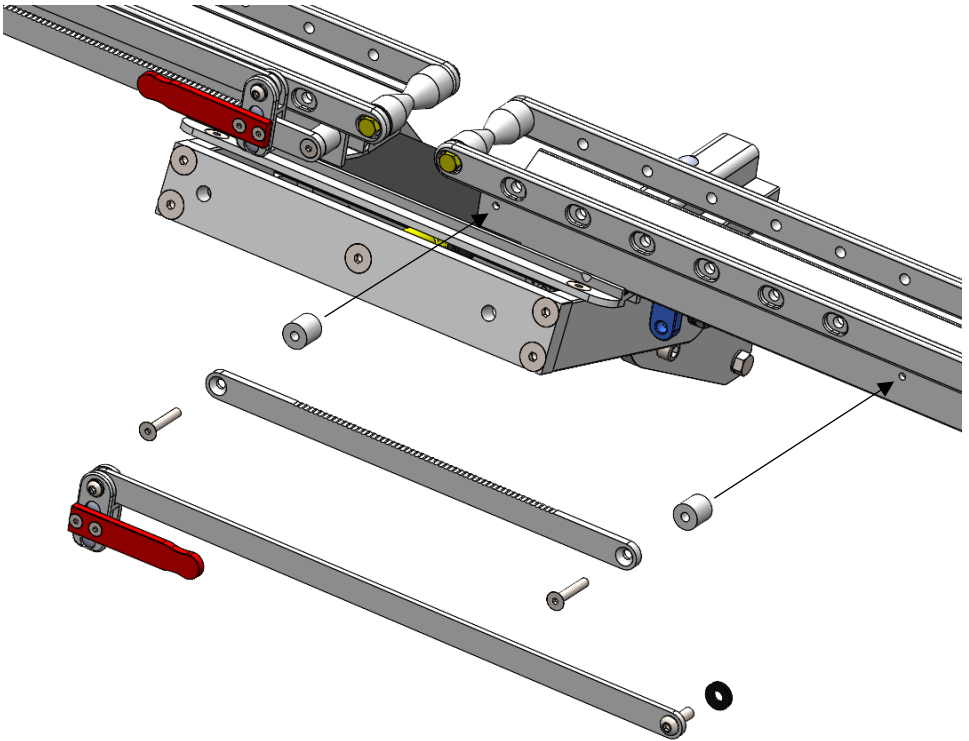


### Tools Required

- (1) 5/32 Hex Wrench (not included)

### Installation

- Remove both Counter Sunk Bolts holding the Glide bar on.
- Slide Glide bar out of Domino.
- Install new Glide Bar into Domino using Glide Bar Spacers and supplied hardware. Tighten hardware firmly.



### Additional Instructions

- Remove road debris off nuts and bolts to prevent corrosion.
- Inspect hardware on Rack periodically to ensure proper working conditions.
- Certain car wash chemicals may damage Rack finish. Please use caution when cleaning vehicle and/ or Rack.

Questions or comments? Contact our support team via email at [email@1up-usa.com](mailto:email@1up-usa.com)