



SPACER KIT INSTALLATION

Tools Needed:

- (2) ½" wrenches
- 5/32" Allen wrench
- 3/16" Allen wrench

Step 1:

- Be sure to pay attention to order of pieces taken off while disassembling.
- Begin by removing all hardware on both driver and passenger side trays, (see image 1).

Note: This includes two bolts at both ends of tray, and two flat heads holding glide bar on.

Step 2:

- Insert provided hardware in same order old hardware was removed.

Note: Existing washers will be reused.

Step 3:

- As seen in image 2, button head will be flipped around to provide more space for fat tire.

Additional Information

- Spacer Kit tray can take up to a 4.9" tire.

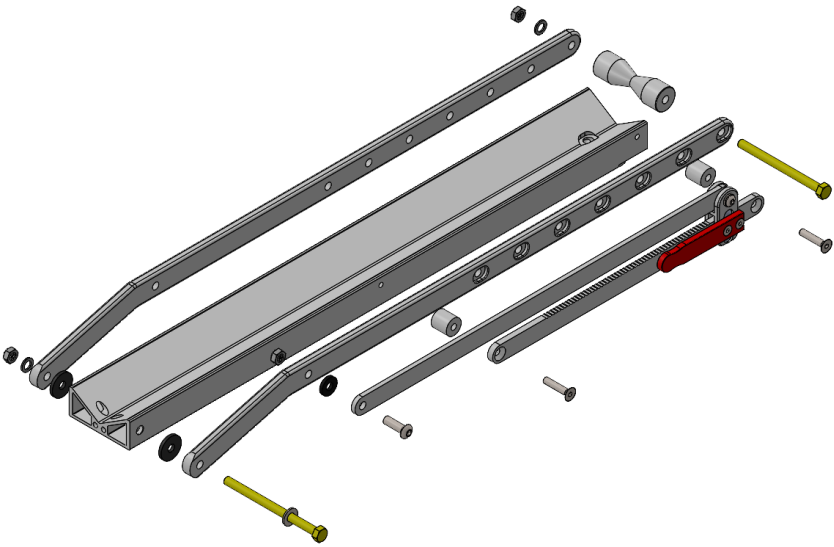


Image 1

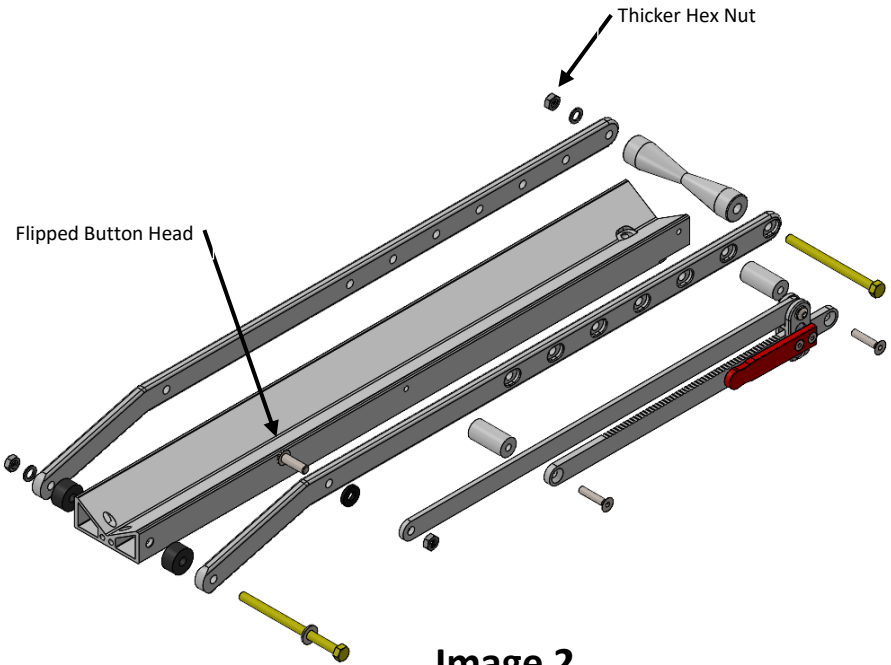


Image 2

Questions or comments? Contact our support team via email at email@1up-usa.com