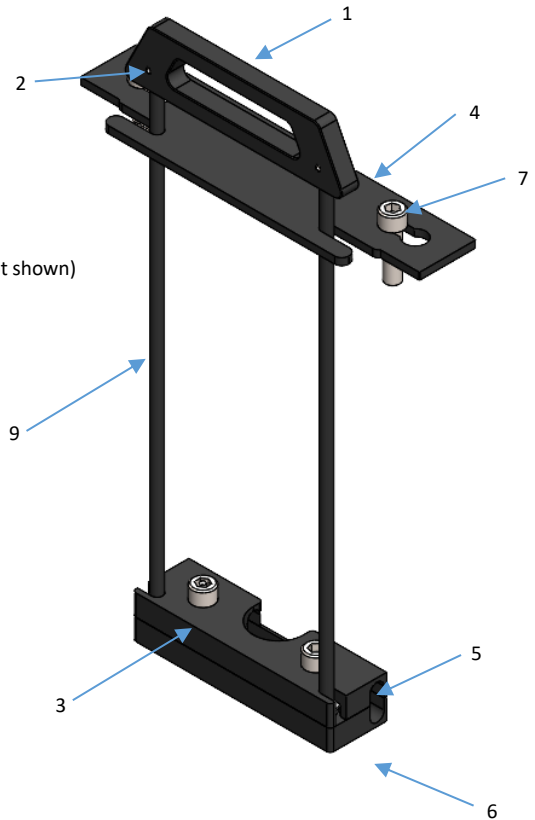


Parts List:

- 1) (1) - Handle
- 2) (4) - 10-32 x .125" Set Screw
- 3) (2) - Security Bolt
- 4) (1) - Keyhole Plate
- 5) (1) - Top Bracket
- 6) (1) - Bottom Bracket
- 7) (2) - 1/2-13 x 1.75" Cap Screw
- 8) (1) - 3/32" Short Arm Allen Wrench (not shown)
- 9) (2) - Pull Rod

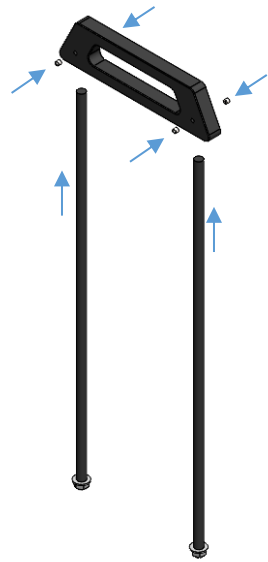


Product Notes:

- Available in two bike, three bike, four bike and Cargo Rack configurations
- Compatible with Quik rack, Heavy Duty rack, Super Duty rack and Cargo Rack
- Base Rack Security Wrench required for assembly

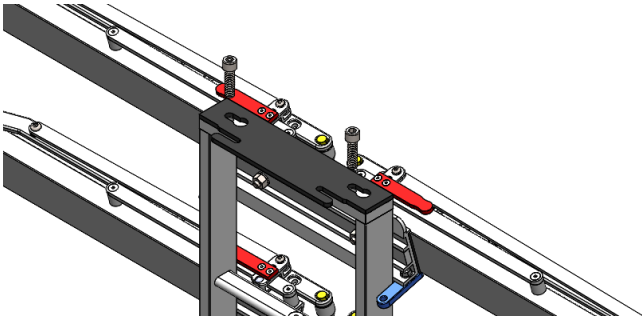
Step 1

Assemble Handle unit by inserting Pull Rods into handle. **Verify the Pull Rods are fully inserted.** Install 10-32 set screws and tighten until snug with supplied Allen wrench.



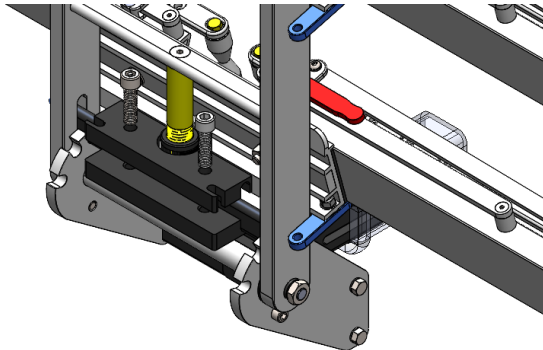
Step 2

Install Keyhole Plate to base rack Tap Plate using (1) 1/2-13 Cap Screw and (1) Security Bolt. Use rack Security Wrench to tighten (not supplied).



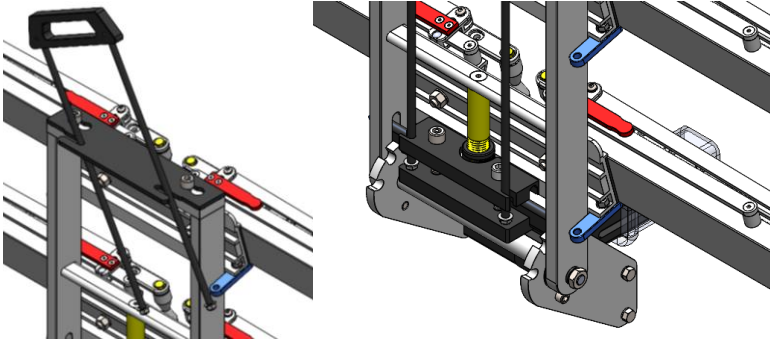
Step 3

Assemble Top and Bottom Bracket to existing rack Black Bar. Do not fully tighten 1/2-13 Cap Screw or Security Bolt.



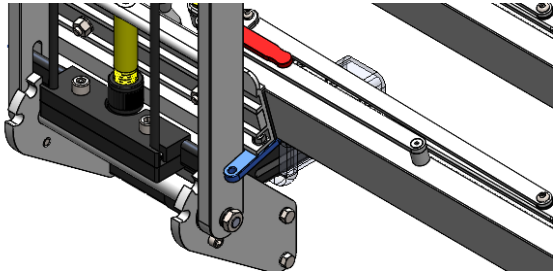
Step 4

Position Handle unit around Keyhole Plate so that 3/8" diameter rods rest in the Keyhole Plate slots. Guide the bottom end of rods into slot of Top Bracket so flange nuts fall into machined hole.



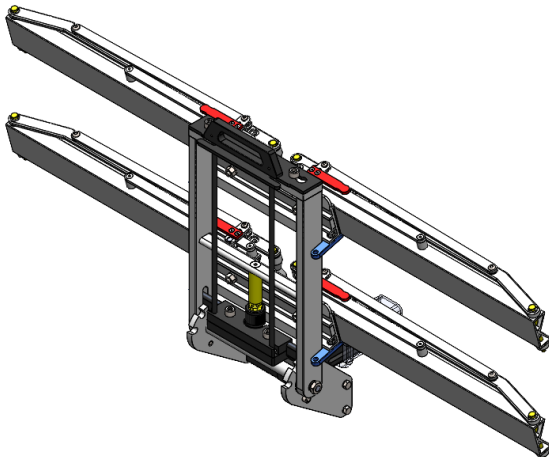
Step 5

Using rack Security Wrench, tighten already installed 1/2-13 Cap Screw and Security bolt. Verify both are firmly tightened.



Step 6

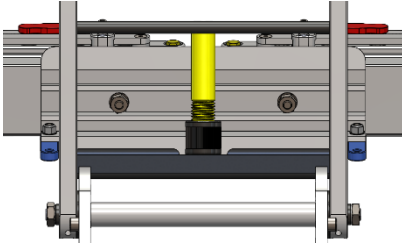
Pull Handle to ensure all moves freely and rack can be adjusted.



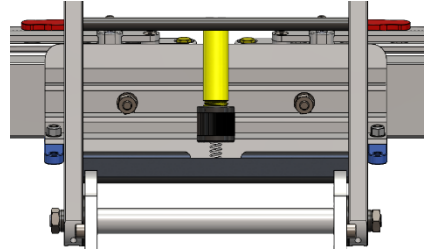
Pivoting the Rack

- Pull Handle out away from Hitch while lifting on Tap Plate.
- Pivot Rack toward desired position and release Handle. *Ensure Black Bar fully engages in slots.*
- *Once Black Bar is engaged, tighten Gold Bar Knob against Black Bar to lock in place.*

Warning: Failure to follow above instructions may cause severe damage to bikes and/or bike rack.



Locked



Unlocked

Additional Instructions

- Remove road debris off nuts and bolts to prevent corrosion.
- Check and retighten any hardware on the rack periodically to ensure proper working conditions.
- Failure to follow above instructions, or misuse of bike rack may void warranty.

Questions or comments? Contact our support team via email at email@1up-usa.com