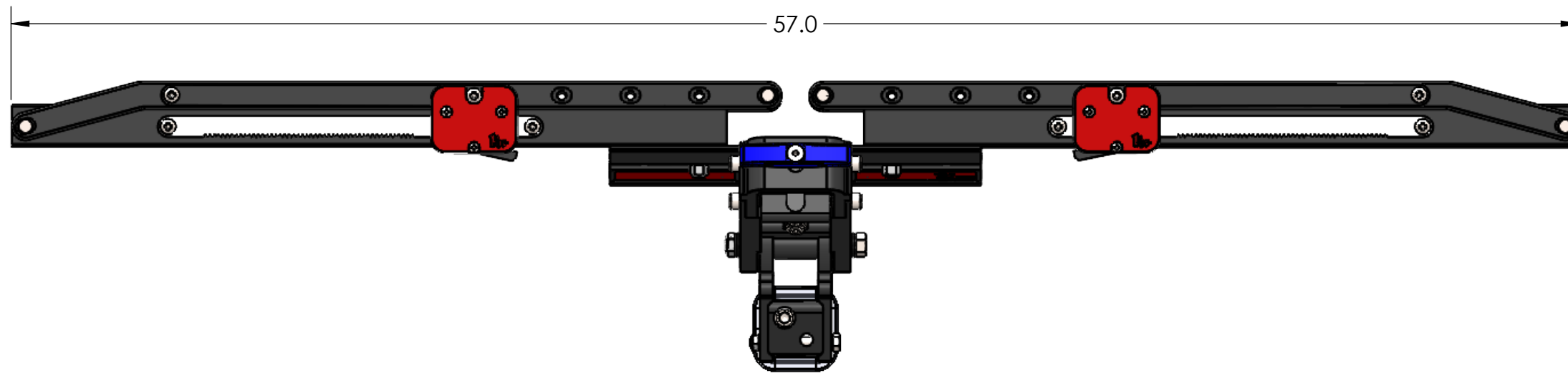
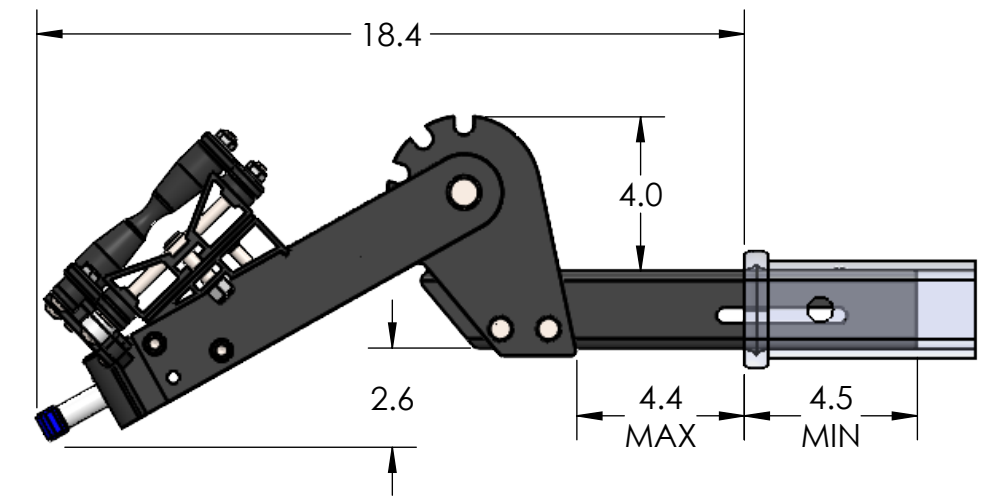
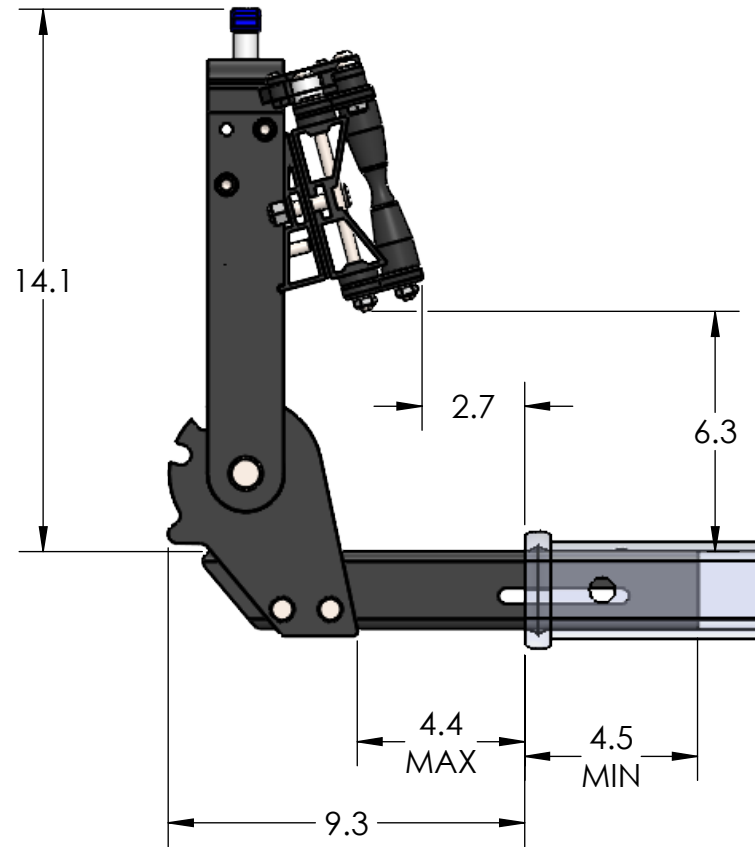
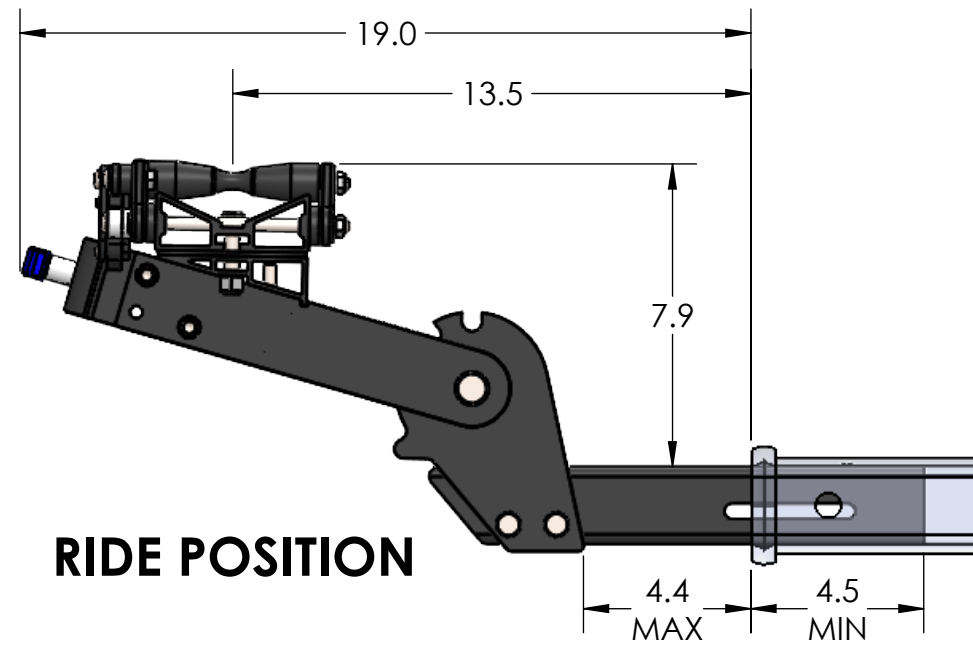
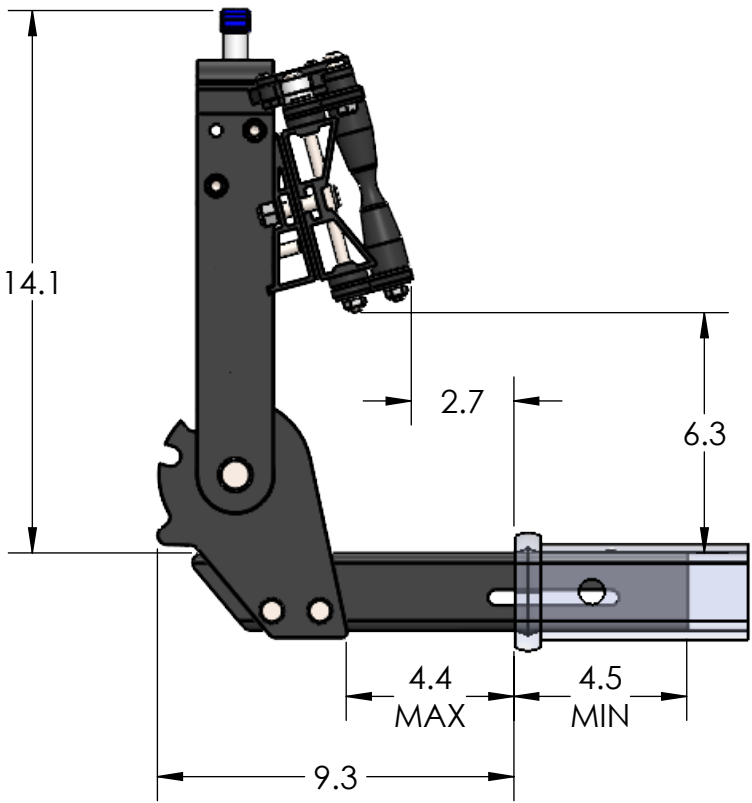


# 2.00" EQUIP'D SINGLE

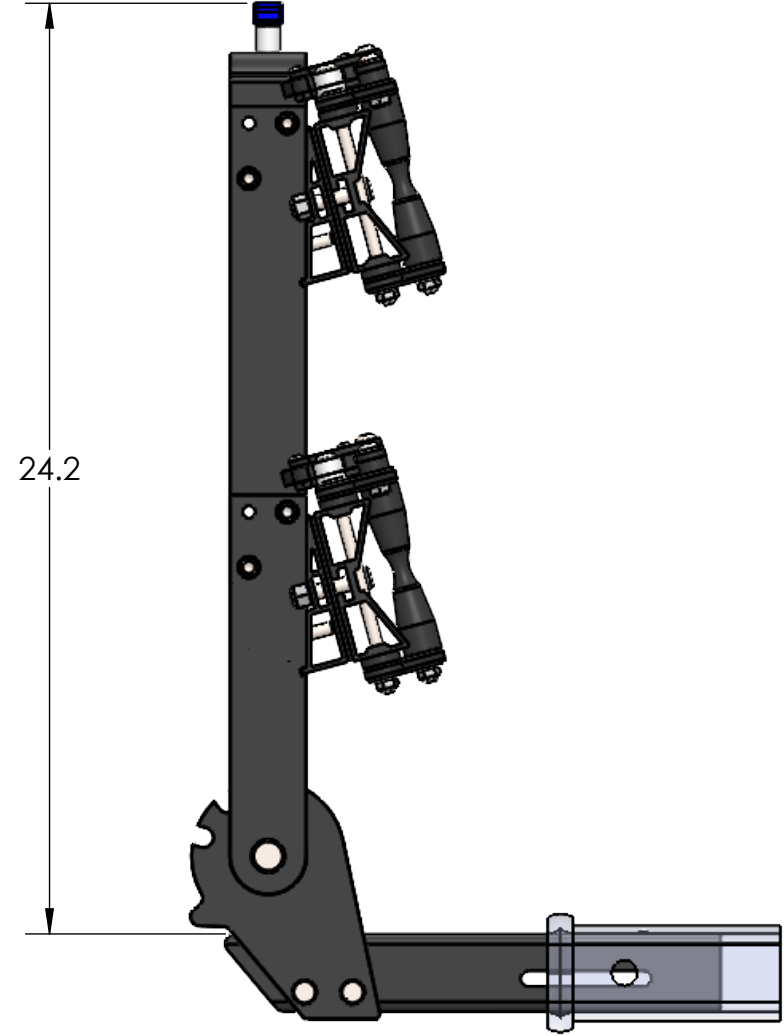


**OVERALL WIDTH**

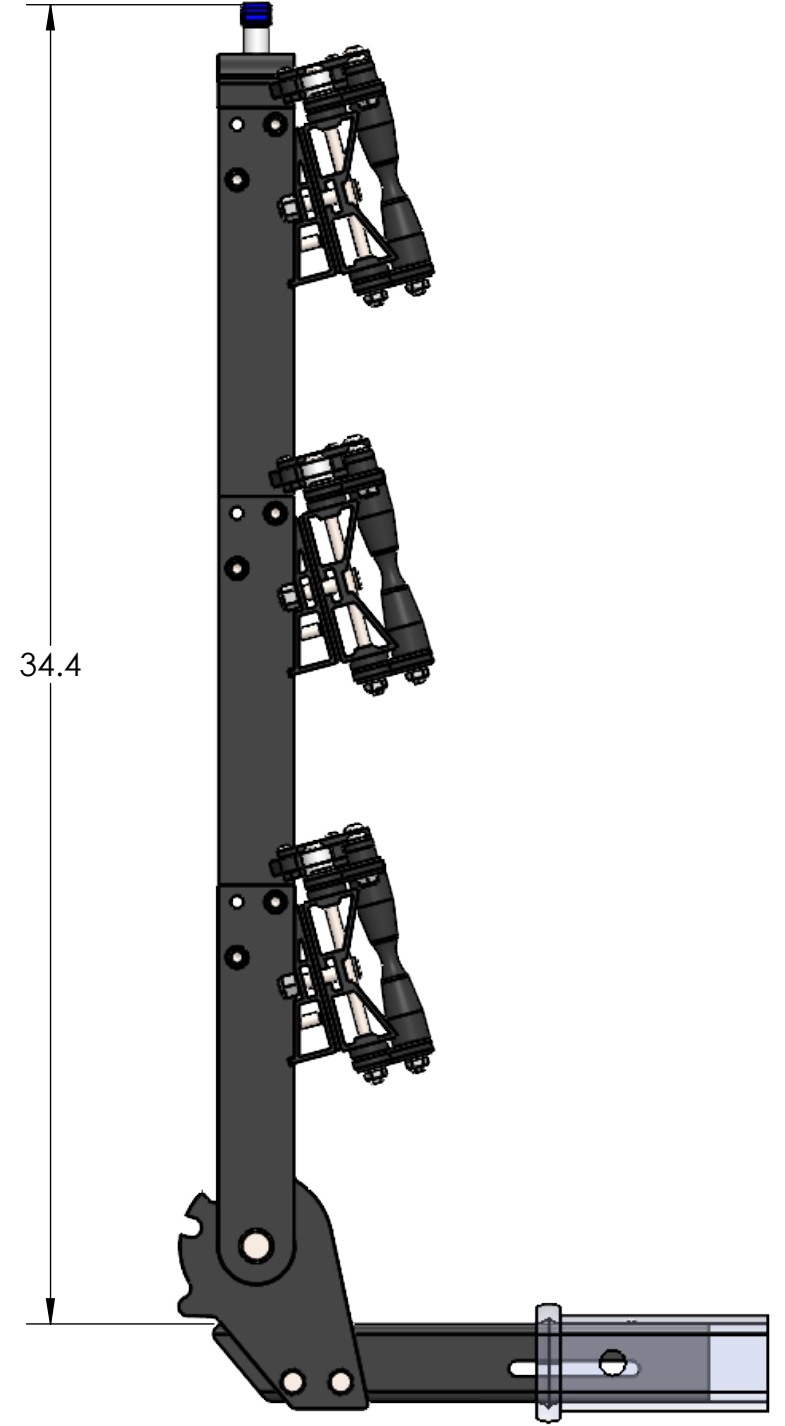
# 2.00" EQUIP'D SINGLE - STORAGE POSITION



**BASE RACK**

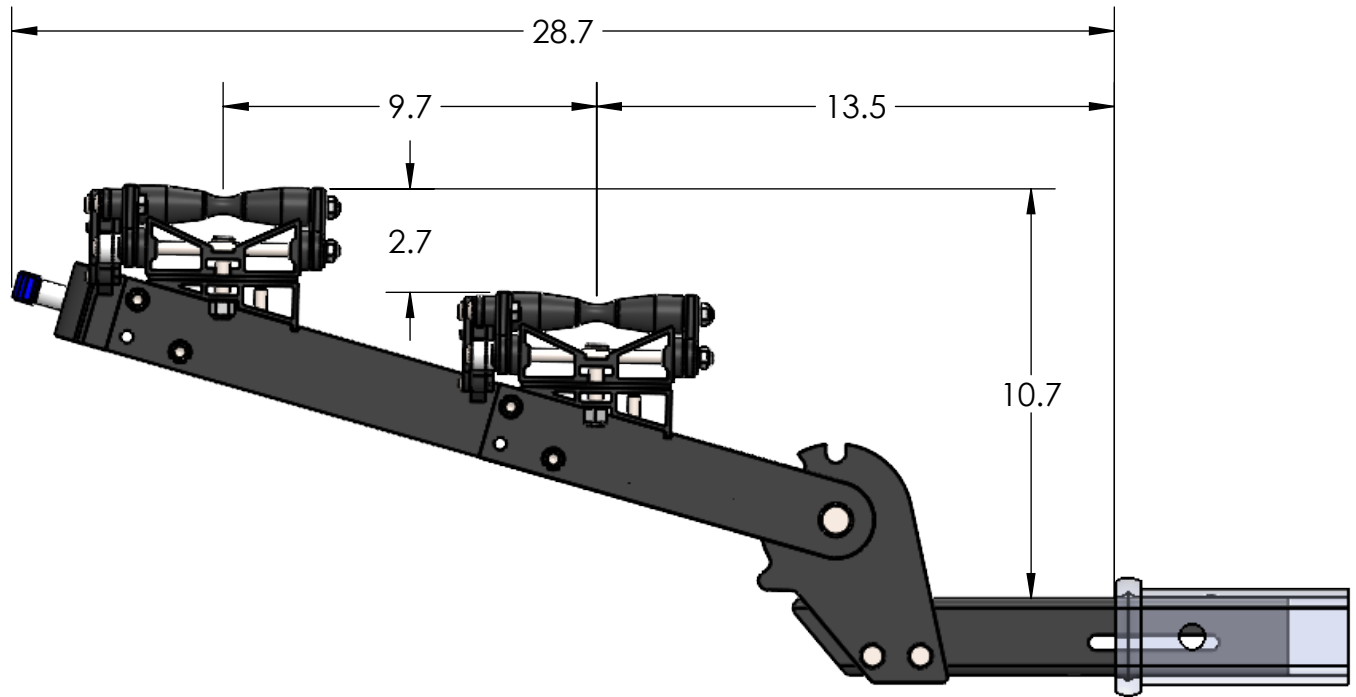


**BASE RACK W/ ONE ADD-ON**

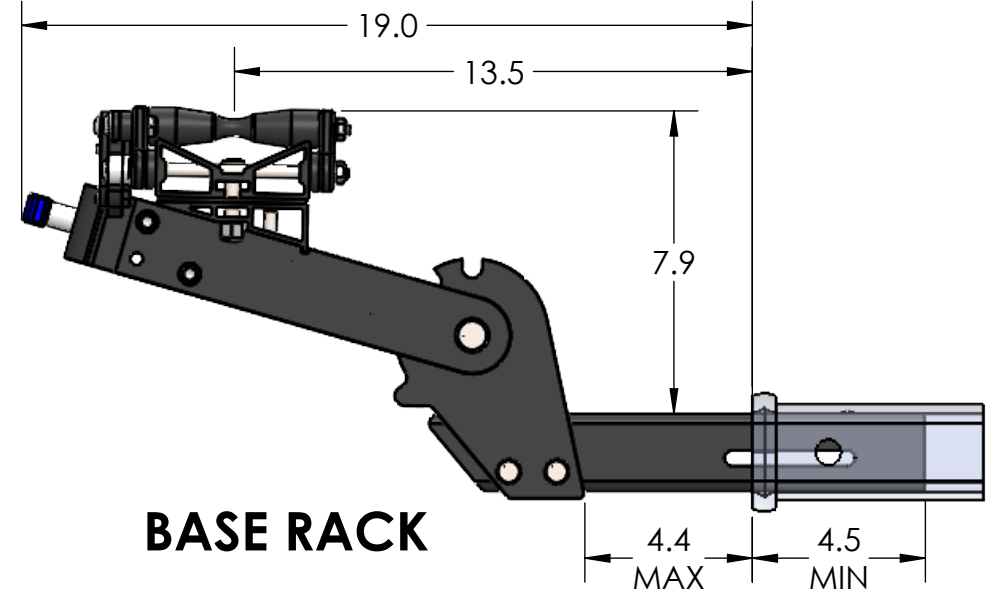


**BASE RACK W/ TWO ADD-ONS**

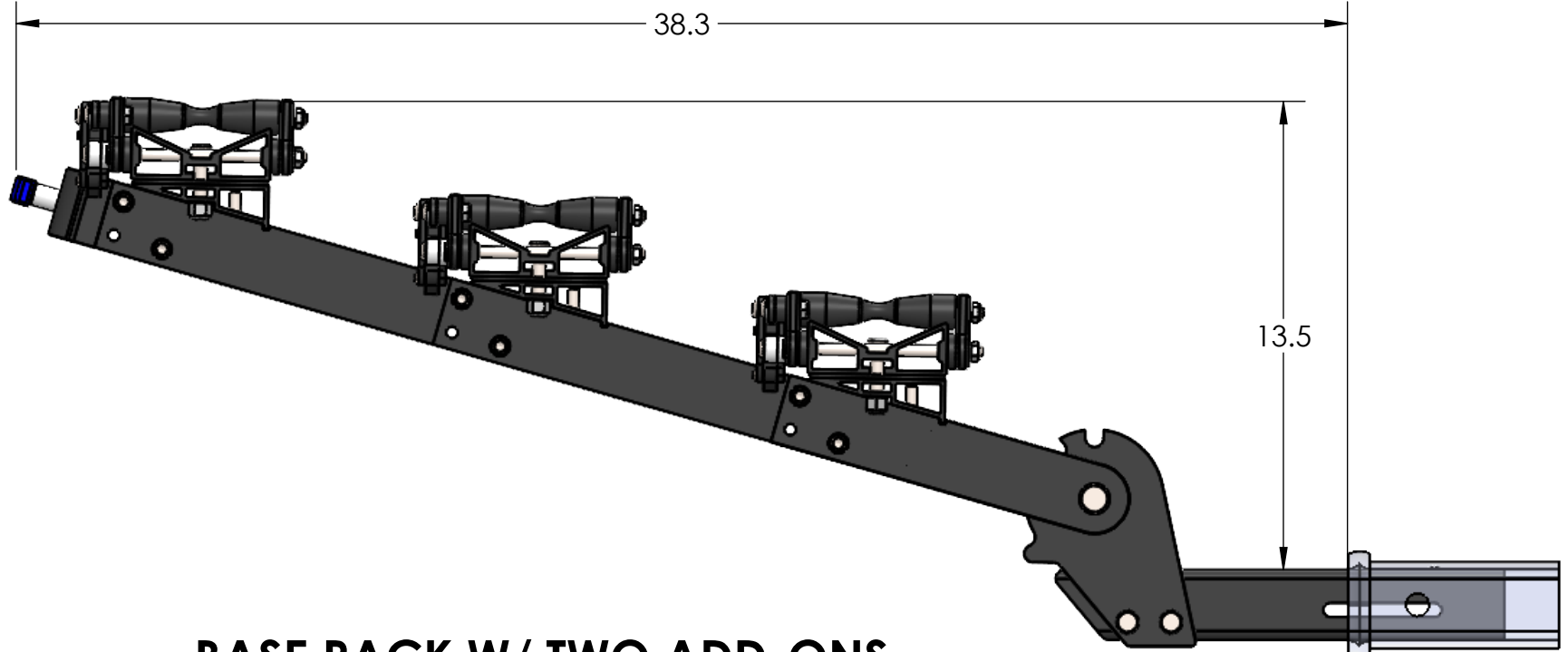
# 2.00" EQUIP'D SINGLE - RIDE POSITION



**BASE RACK W/ ONE ADD-ON**

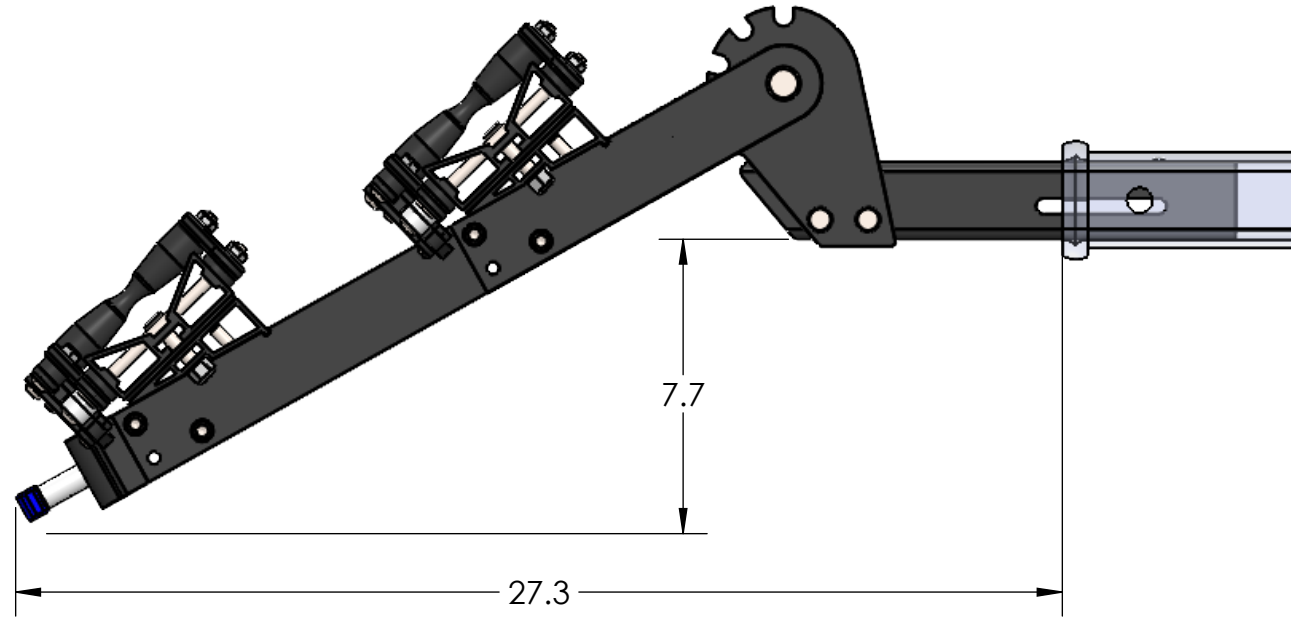


**BASE RACK**

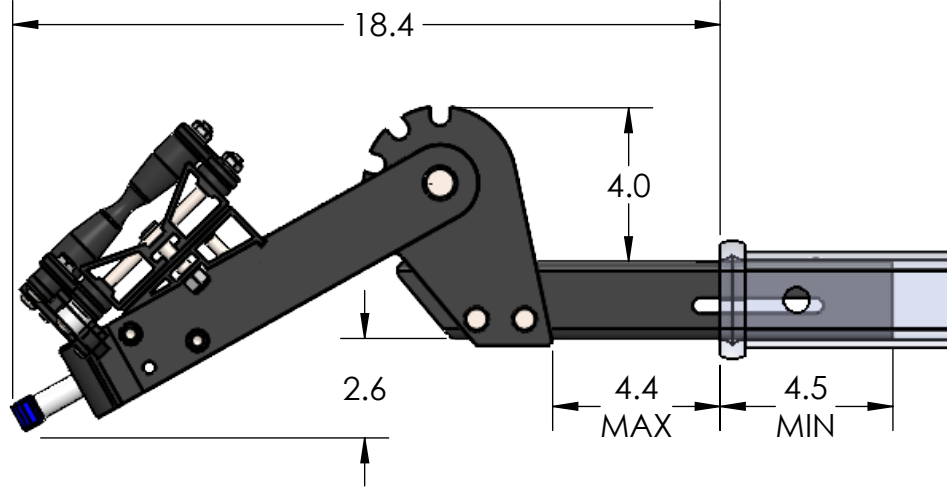


**BASE RACK W/ TWO ADD-ONS**

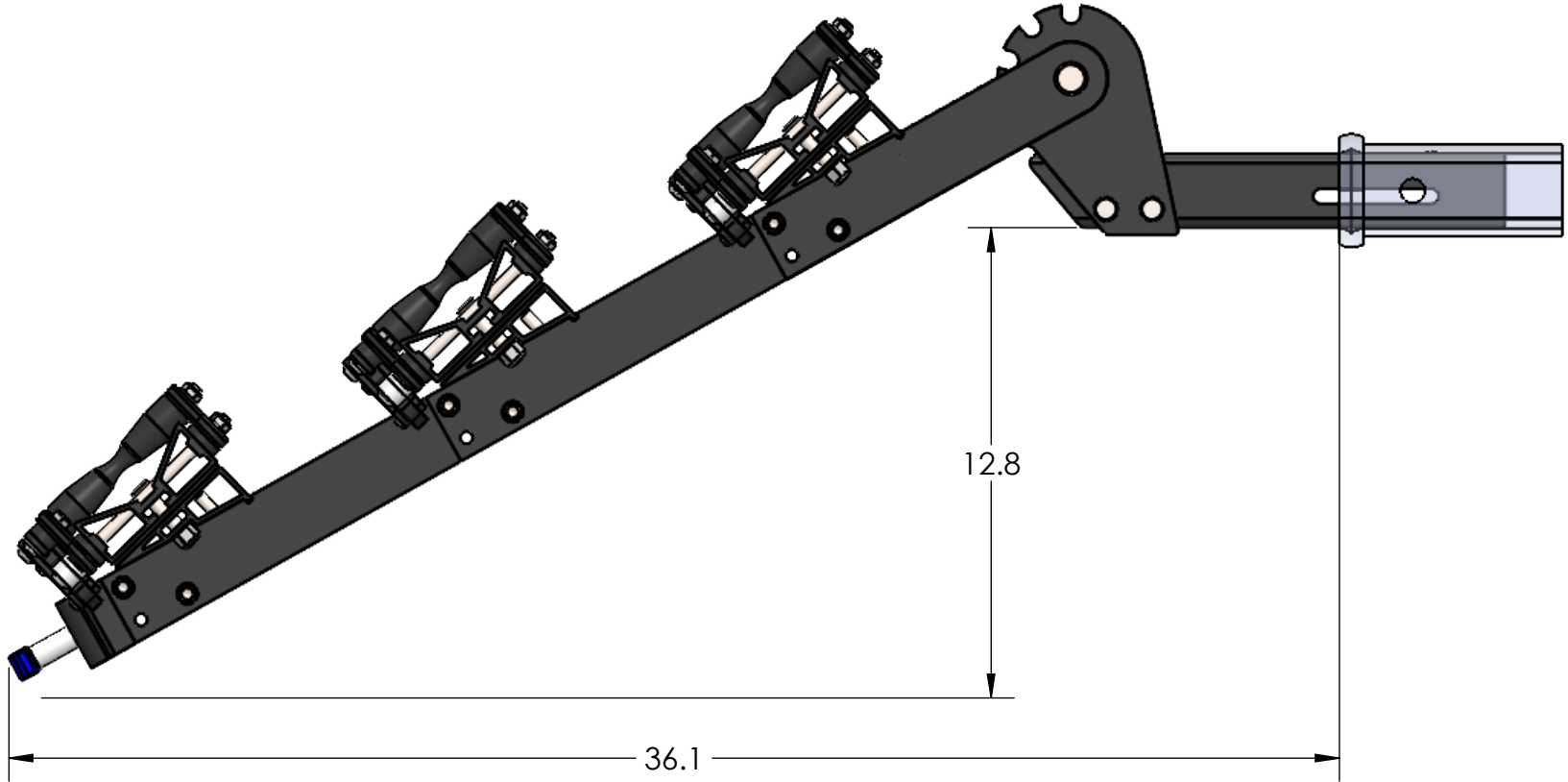
# 2.00" EQUIP'D SINGLE - DOWN POSITION



**BASE RACK W/ ONE ADD-ON**

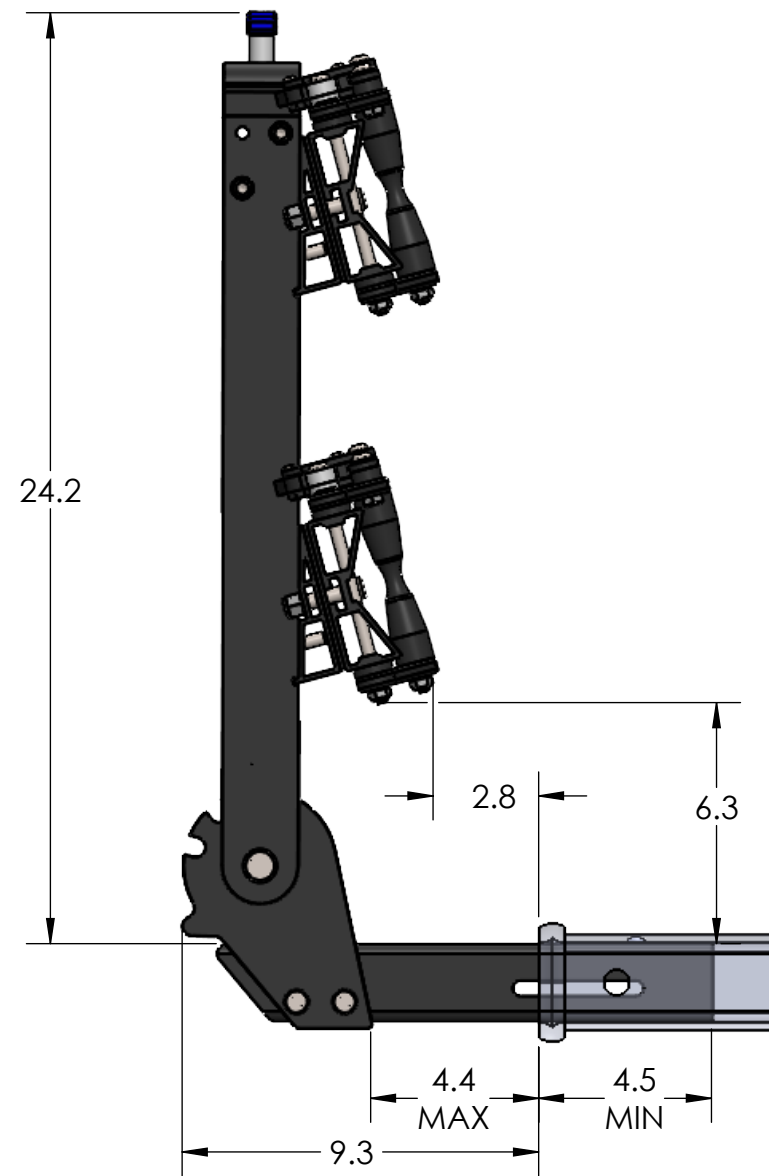


**BASE RACK**

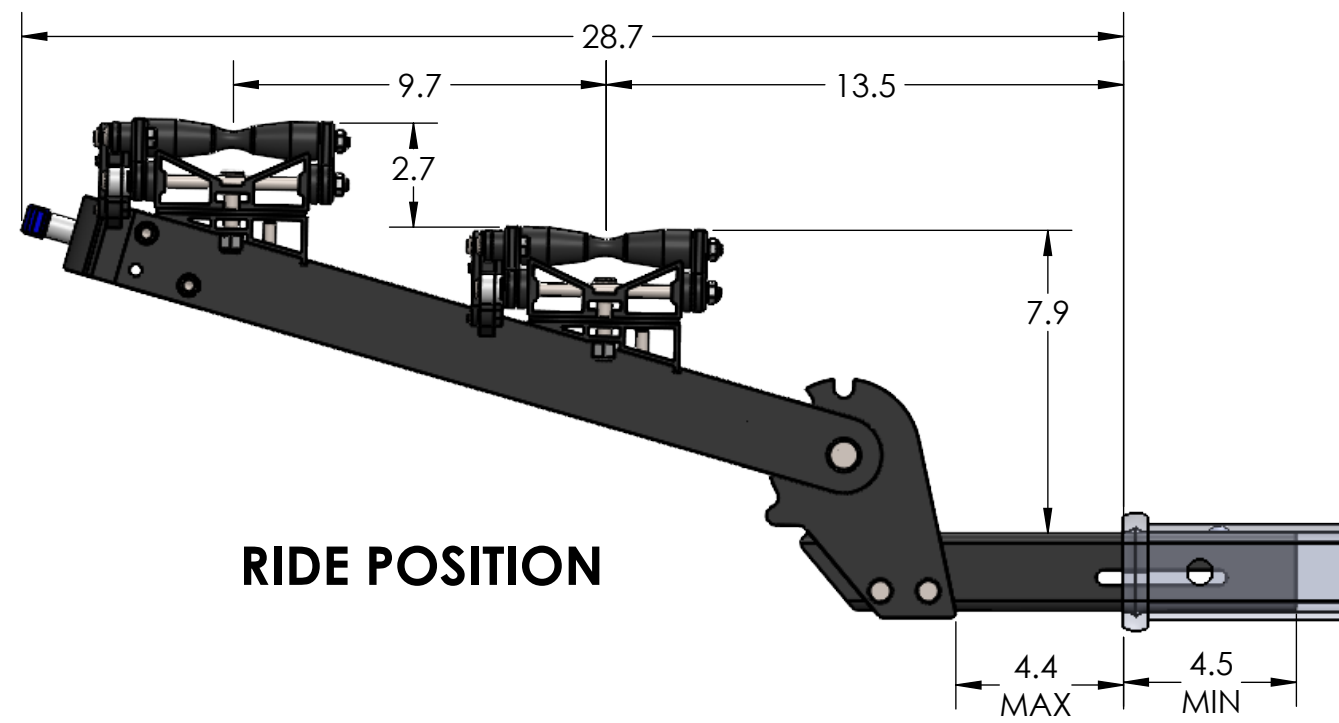


**BASE RACK W/ TWO ADD-ONS**

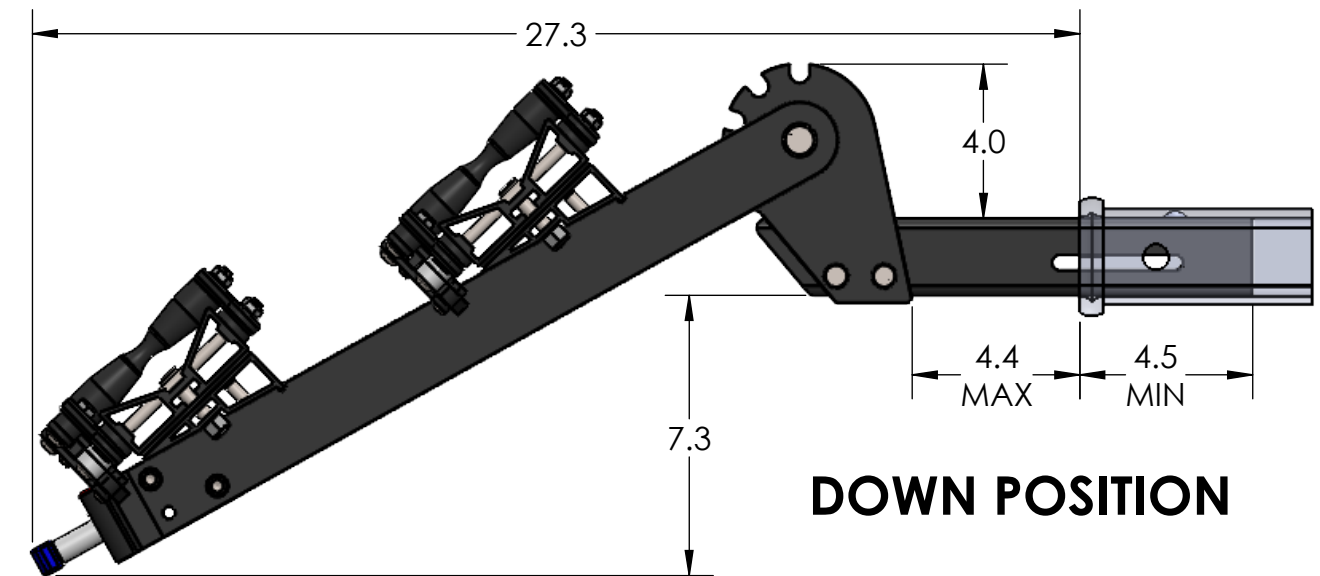
# 2.00" EQUIP'D DOUBLE



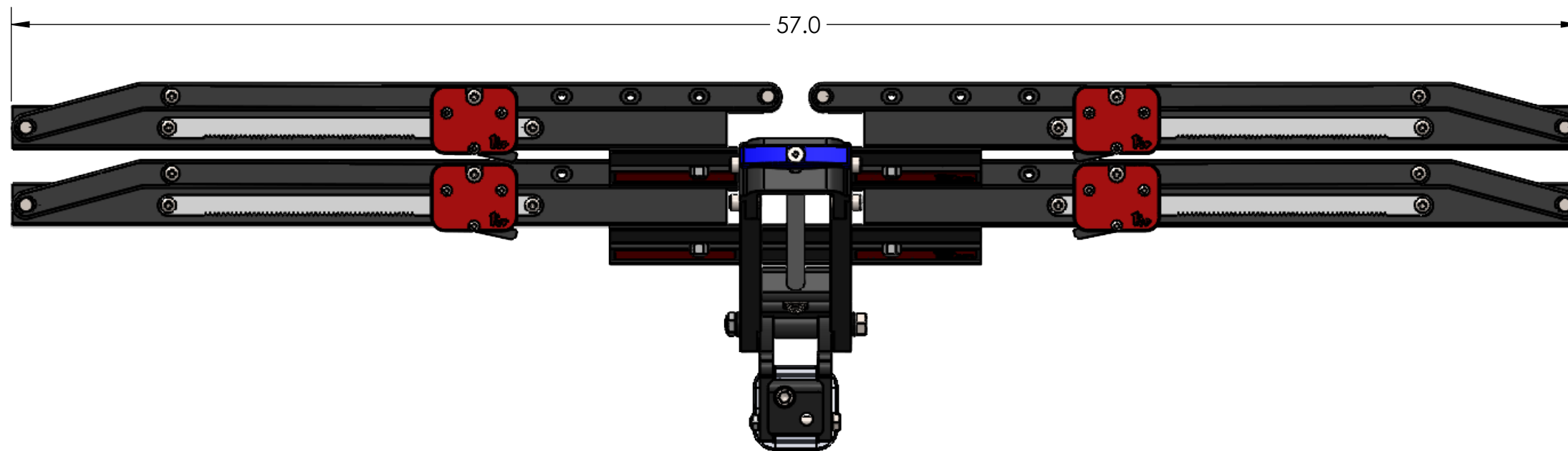
STORAGE POSITION



RIDE POSITION

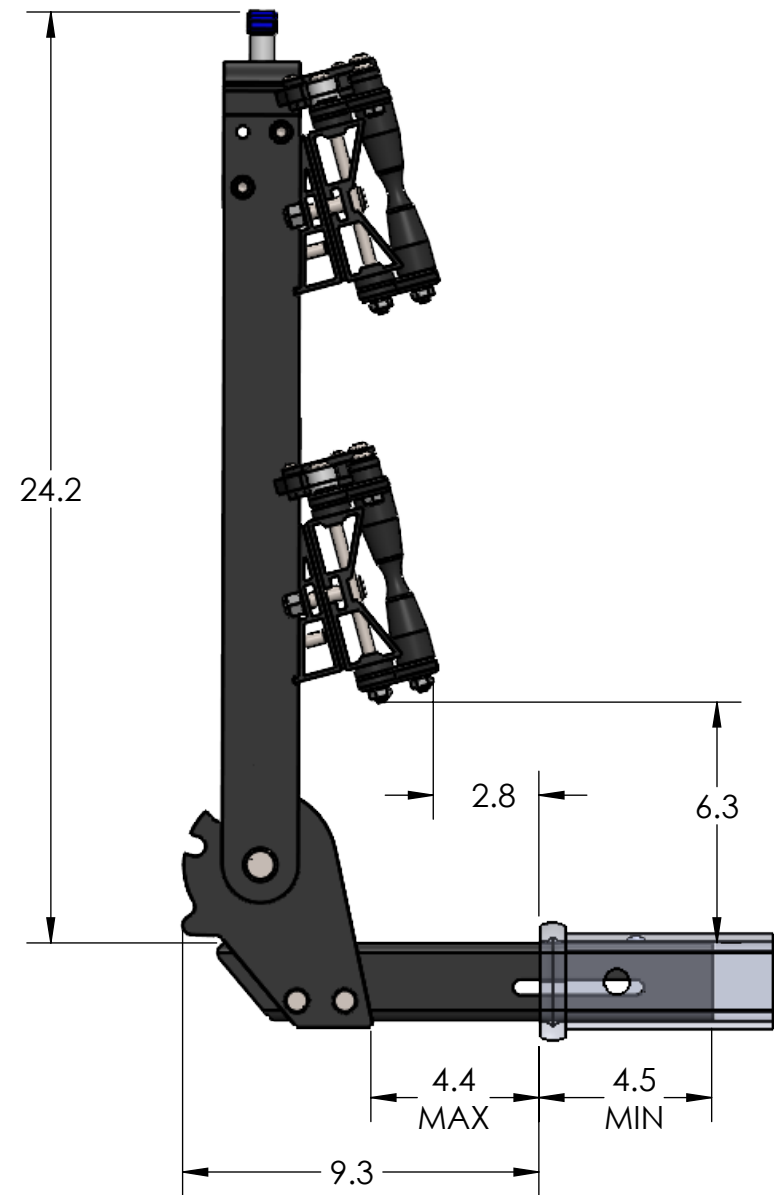


DOWN POSITION

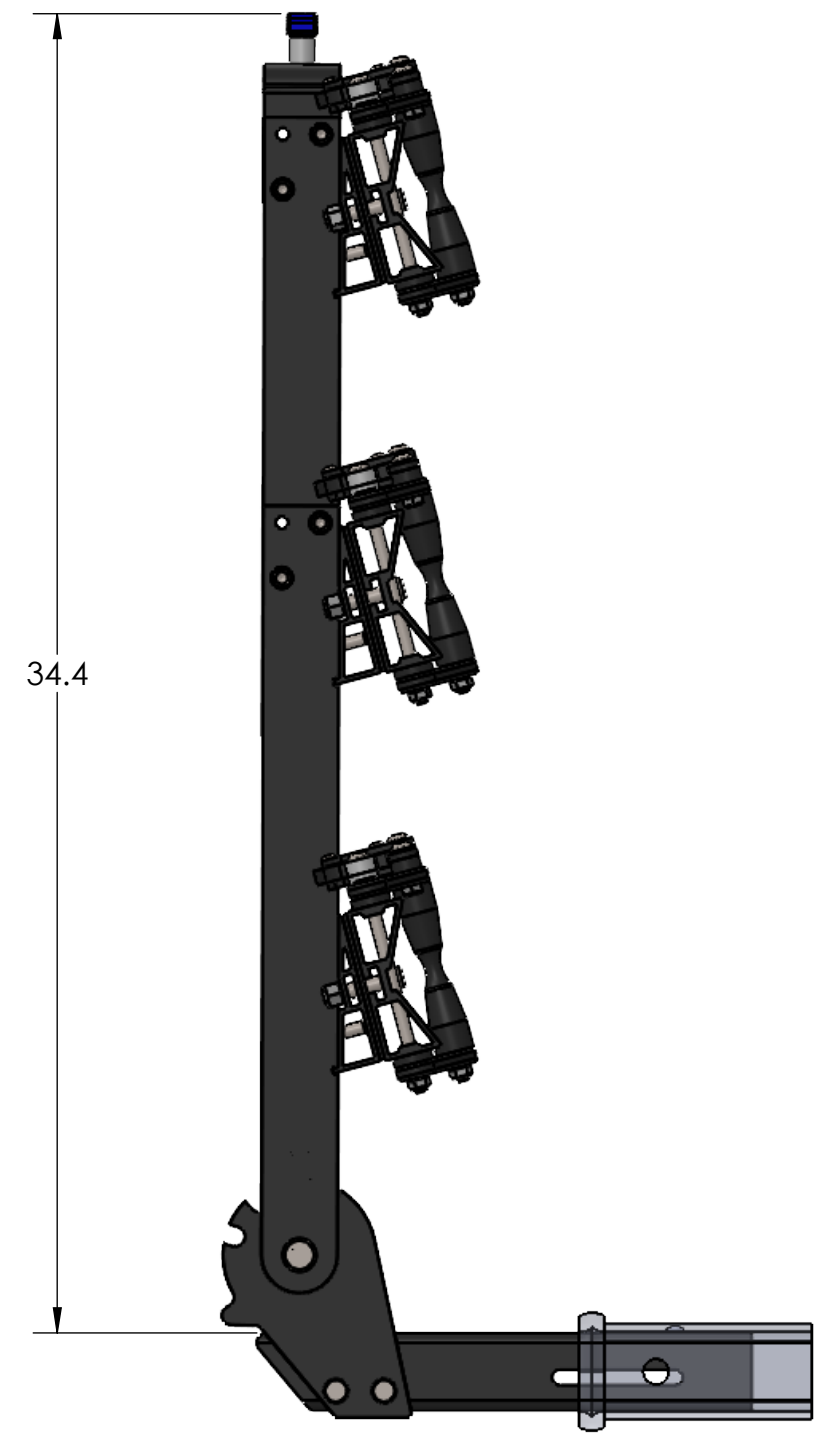


OVERALL WIDTH

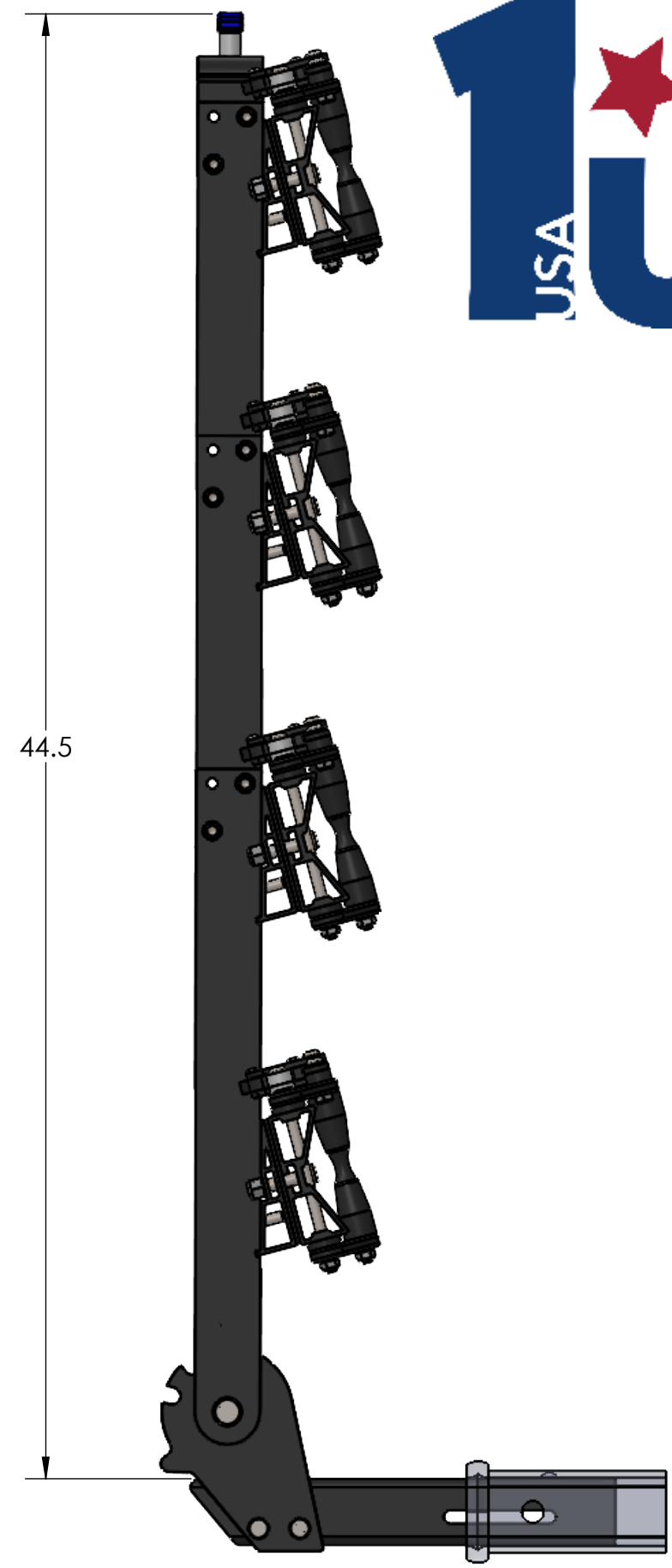
# 2.00" EQUIP'D DOUBLE - STORAGE POSITION



**BASE RACK**



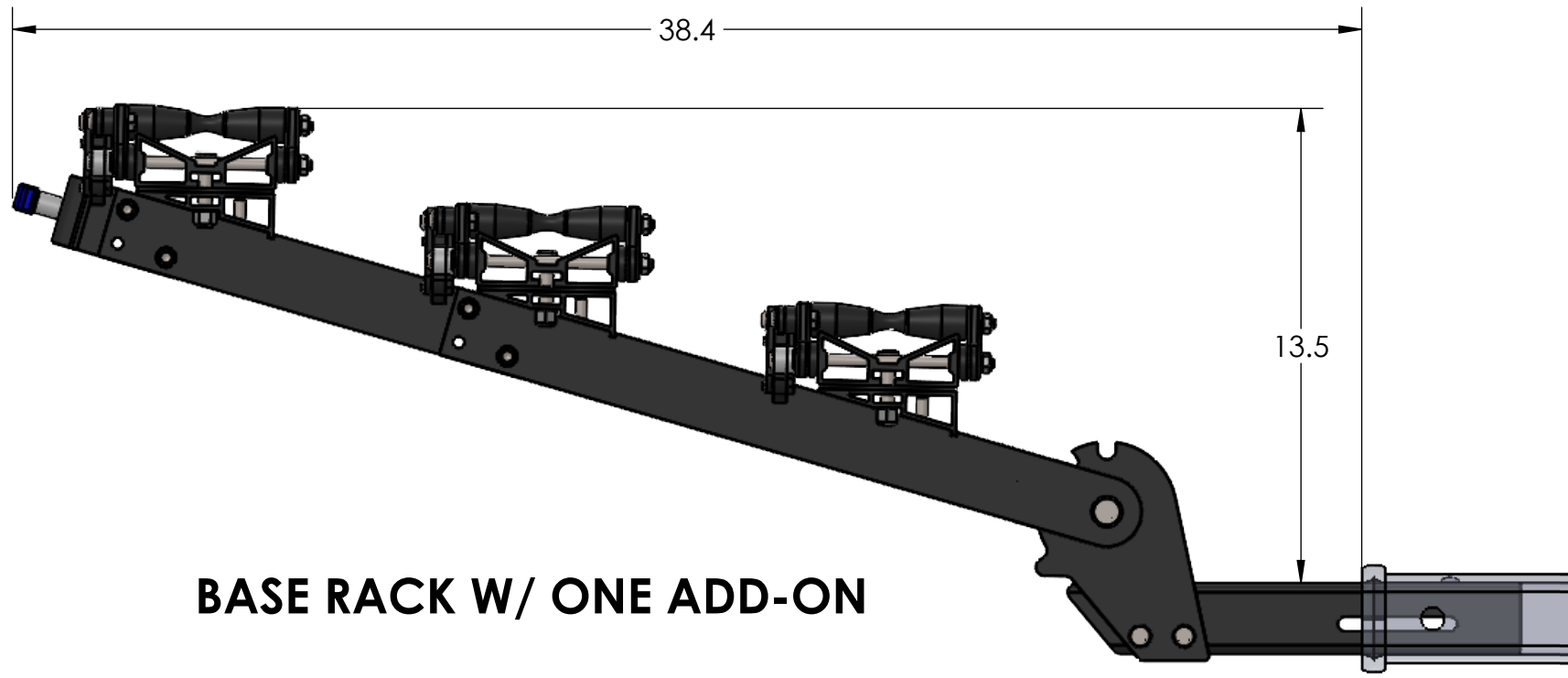
**BASE RACK W/ ONE ADD-ON**



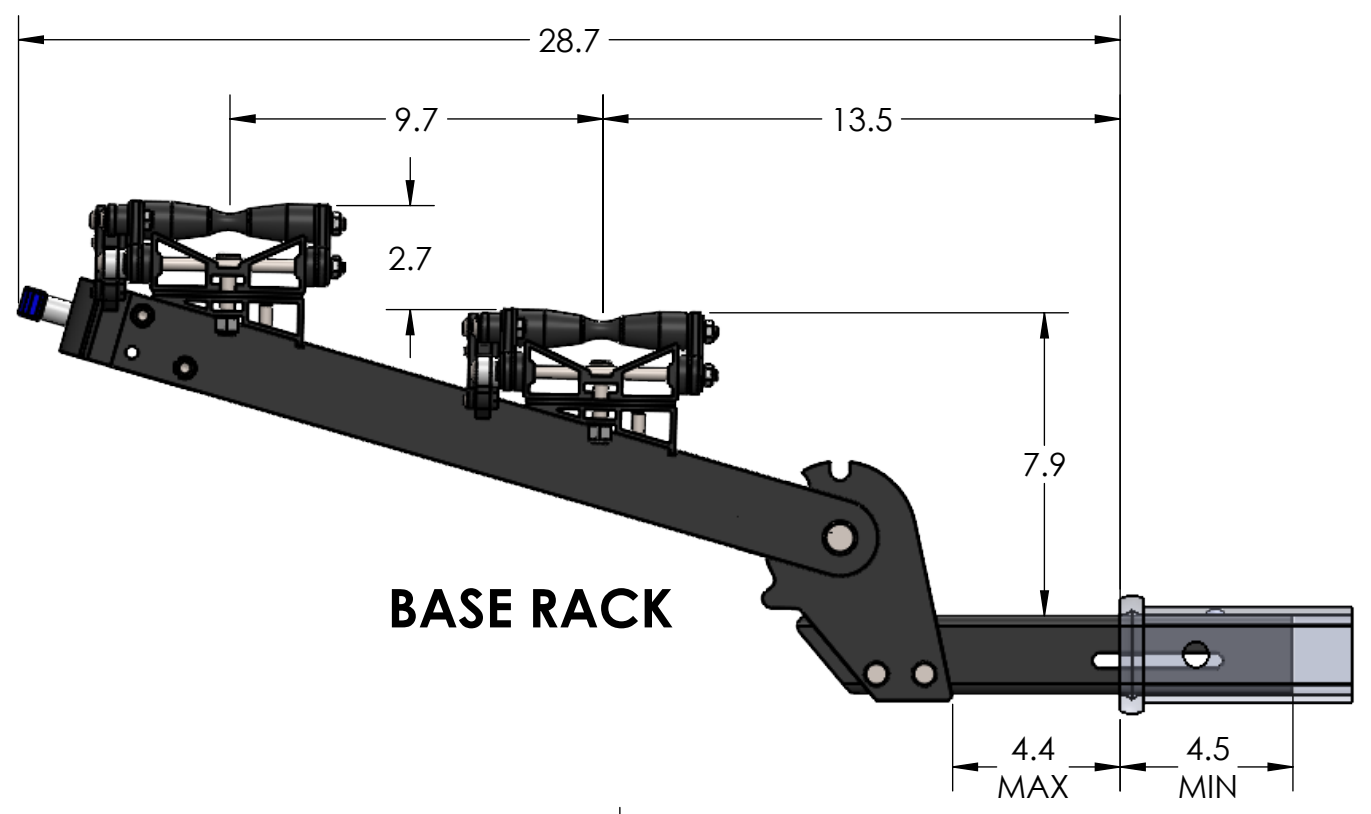
**BASE RACK W/ TWO ADD-ONS**



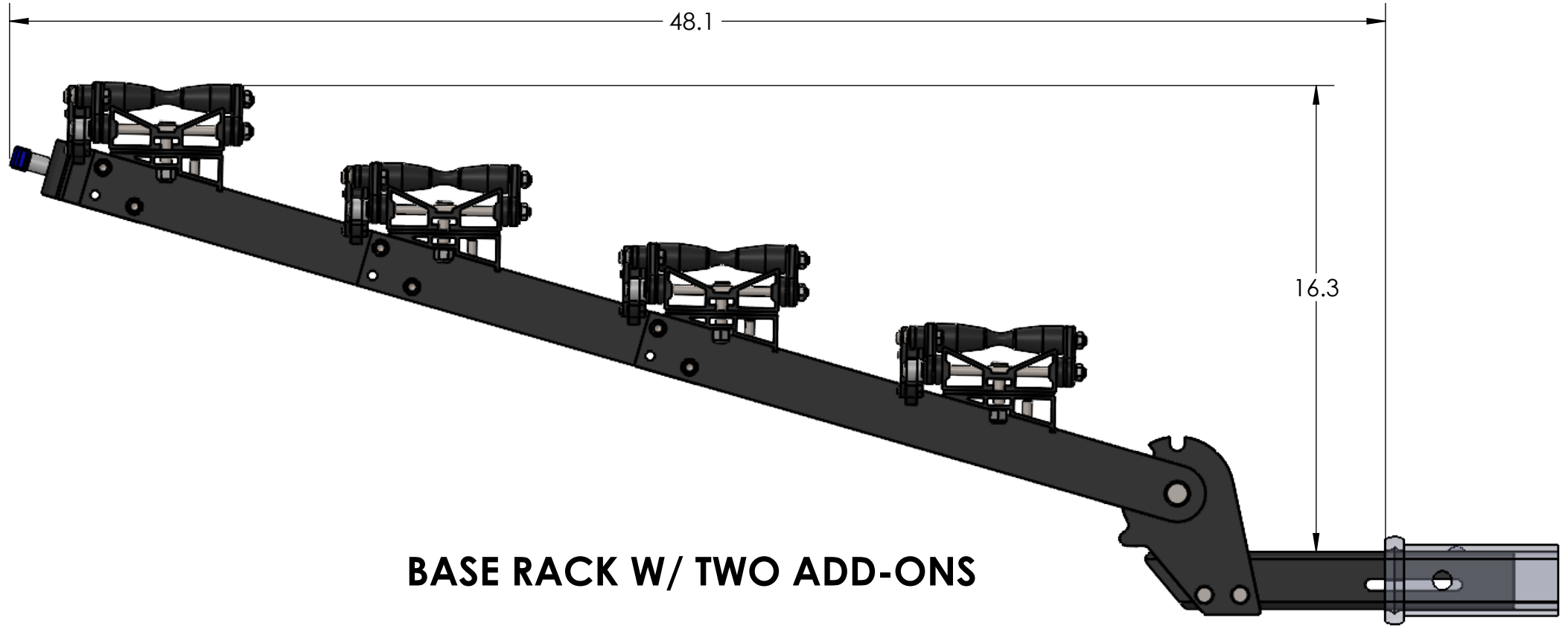
# 2.00" EQUIP'D DOUBLE - RIDE POSITION



**BASE RACK W/ ONE ADD-ON**

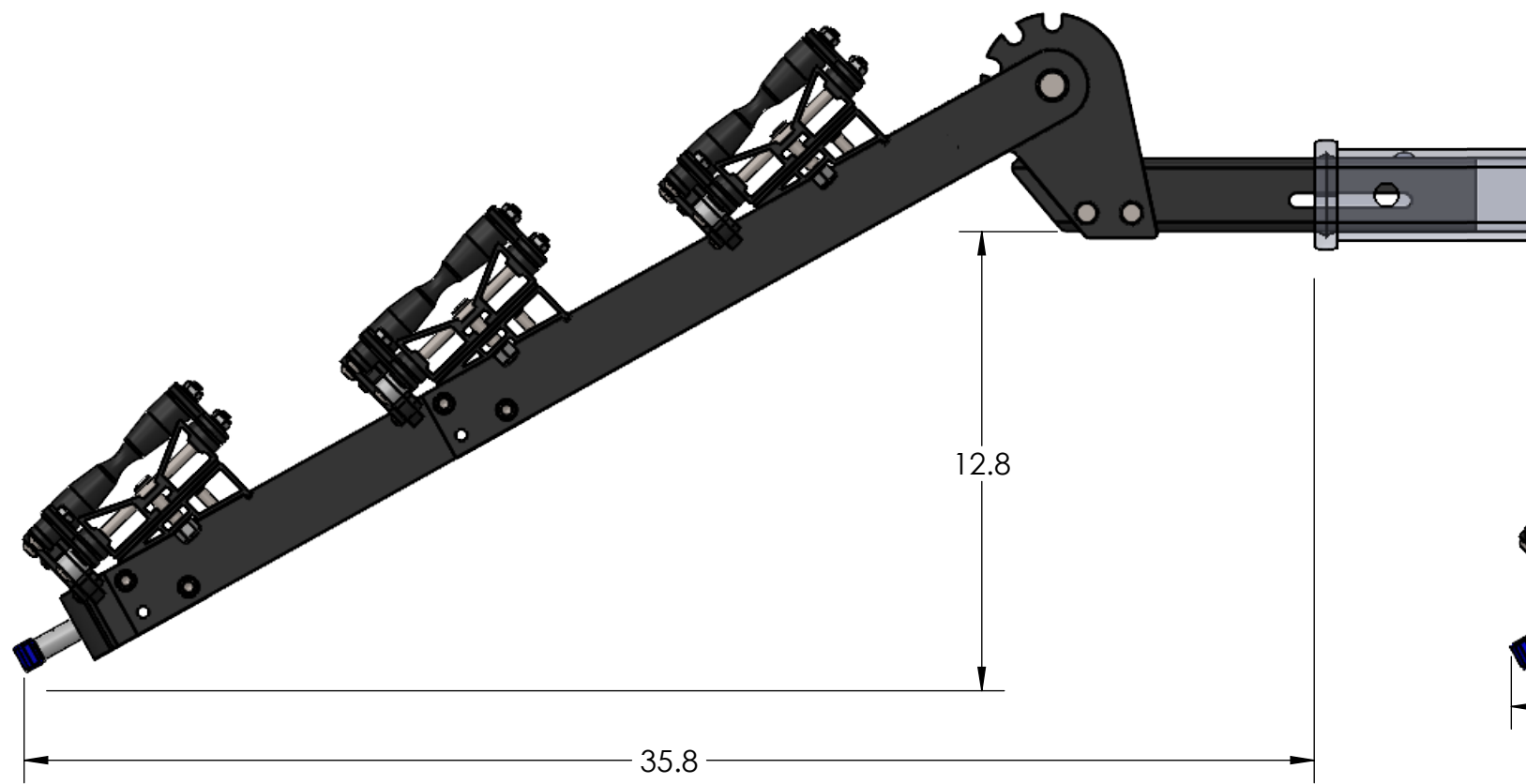


**BASE RACK**

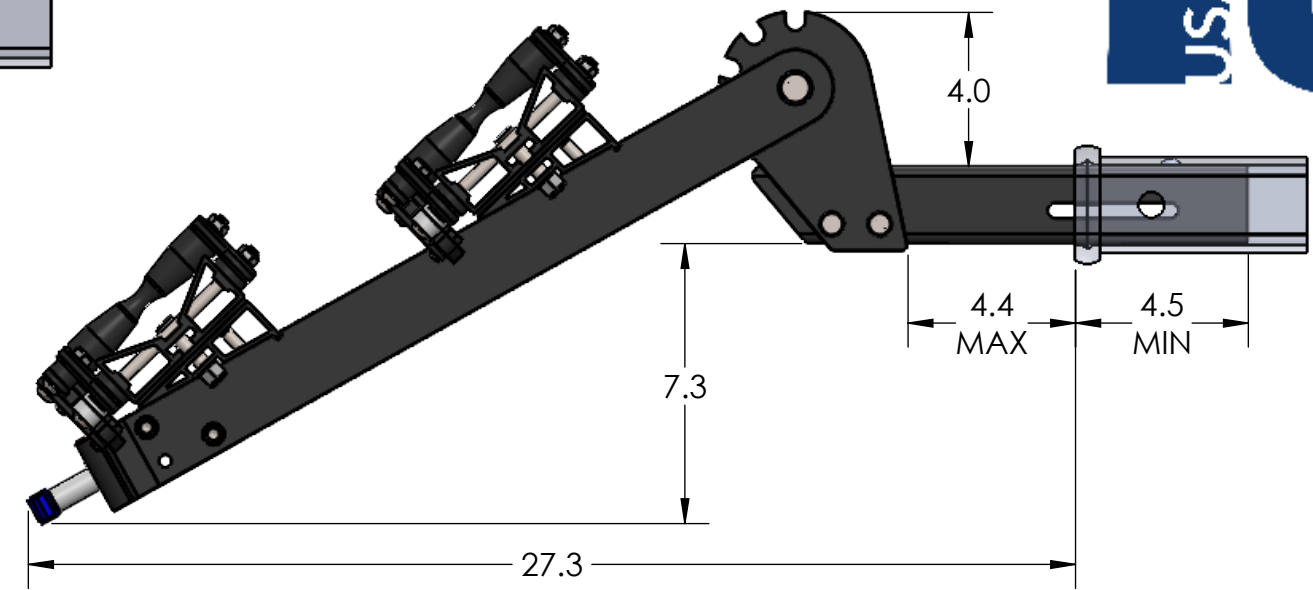


**BASE RACK W/ TWO ADD-ONS**

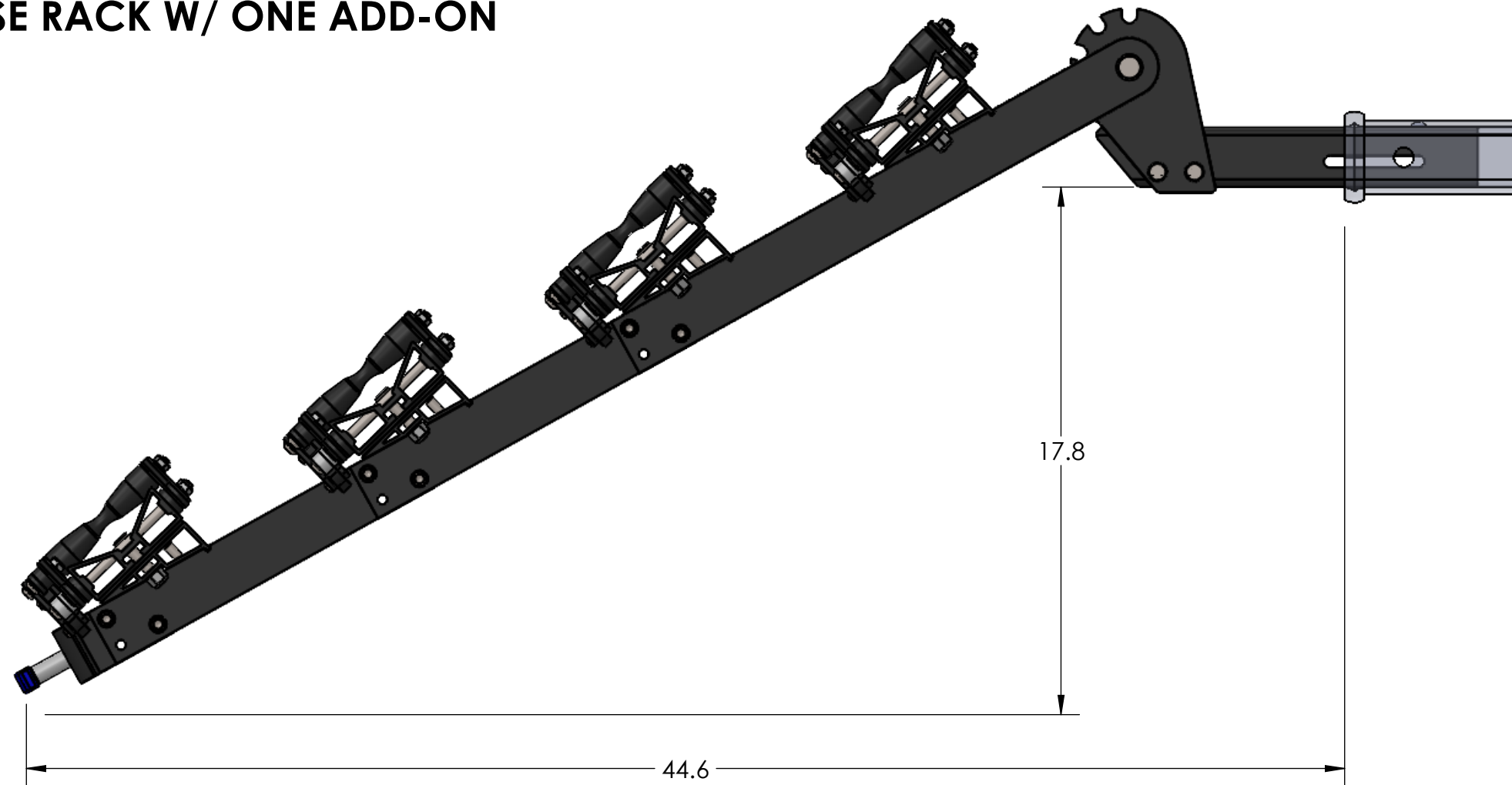
# 2.00" EQUIP'D DOUBLE - DOWN POSITION



**BASE RACK W/ ONE ADD-ON**



**BASE RACK**



**BASE RACK W/ TWO ADD-ONS**