



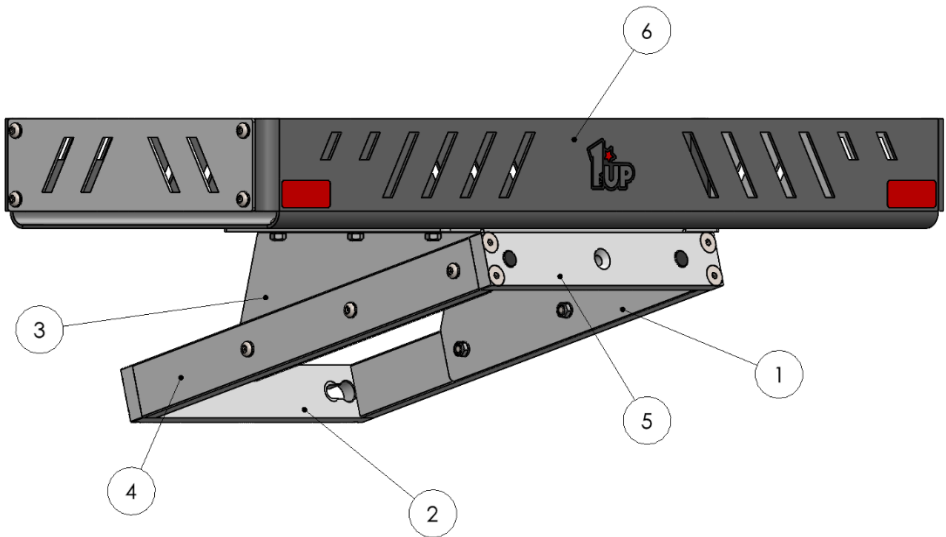
For additional info including video instructions, detailed weight ratings, and more, scan the code.



CARGO ADD-ON

Parts List

- | | |
|--------------------------|----------------------|
| 1) Passenger Btm Bracket | 4) Cargo Add-On Beam |
| 2) Keyhole Plate | 5) Tap Plate |
| 3) Driver Btm Bracket | 6) Cargo Basket |



In the Box:

- Cargo Basket
- Passenger & Driver Btm Bracket
- Cargo Add-On Frame
- (2) Security Bolts
- Hardware Bag

Tools Required:

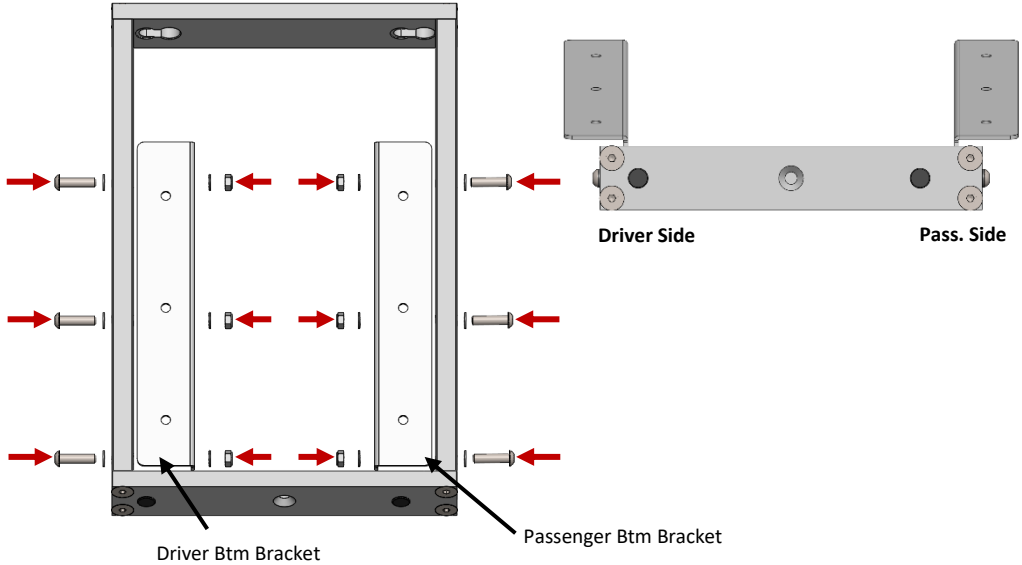
- 1/2" Wrench

Product Notes:

- Compatible with Quik Rack, Heavy Duty, Super Duty, and Xtreme Duty models.
- Cargo Add-On to be last item installed in rack setup.

Step 1:

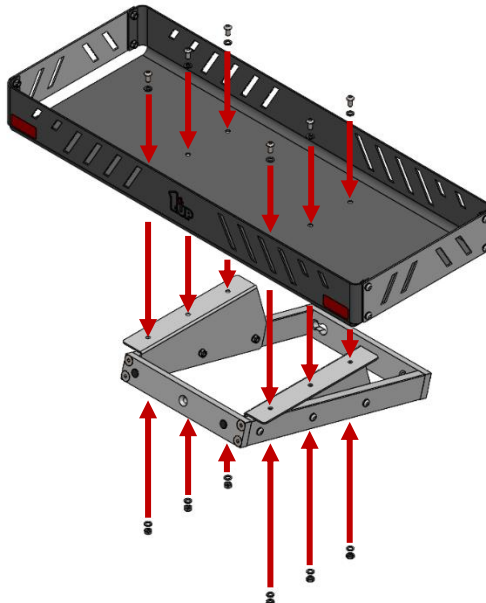
- Install Btm Brackets to Cargo Add-On Frame using supplied 5/16-18 x 1.25" Button Heads, washers and jam nylock nuts.
- Tighten firmly.



Note: *Ensure brackets are installed to Add-On Frame in correct orientation.*

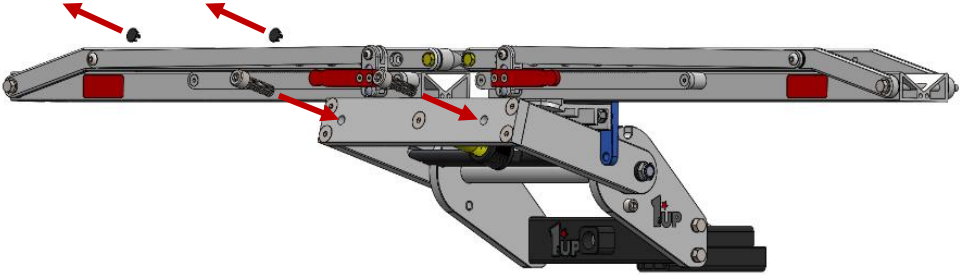
Step 2:

- Install Cargo Basket to Btm Brackets using supplied 5/16-18 x .625" Button Heads, washers and jam nylock nuts.
- Tighten firmly.

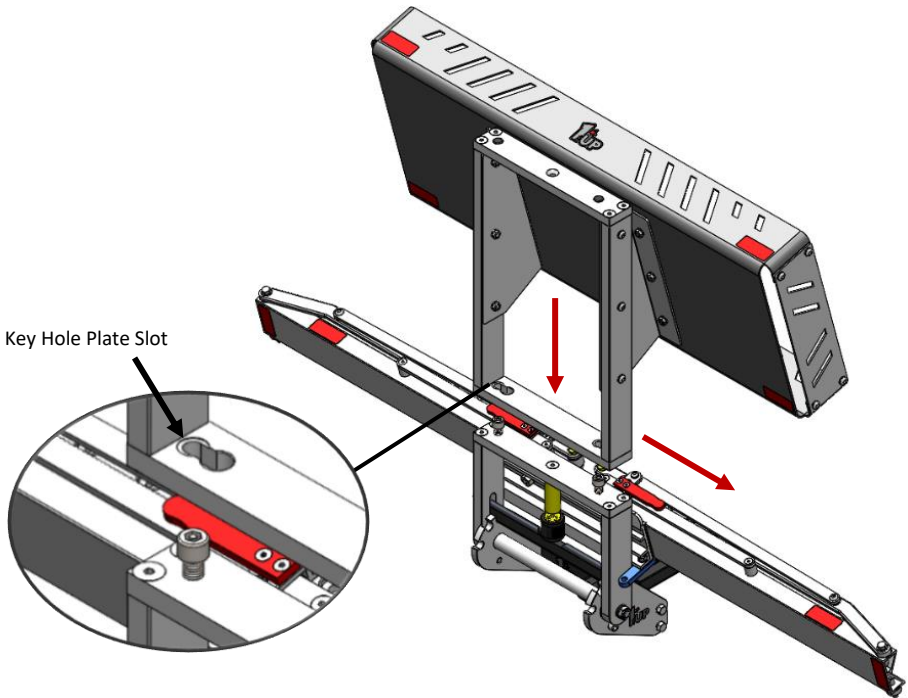


Installing Cargo Add-On

- Pivot Base Rack into Storage position (parallel to the rear of vehicle).
- Remove both plastic caps found in Tap Plate of Base Rack and partially thread in two supplied Security Bolts.



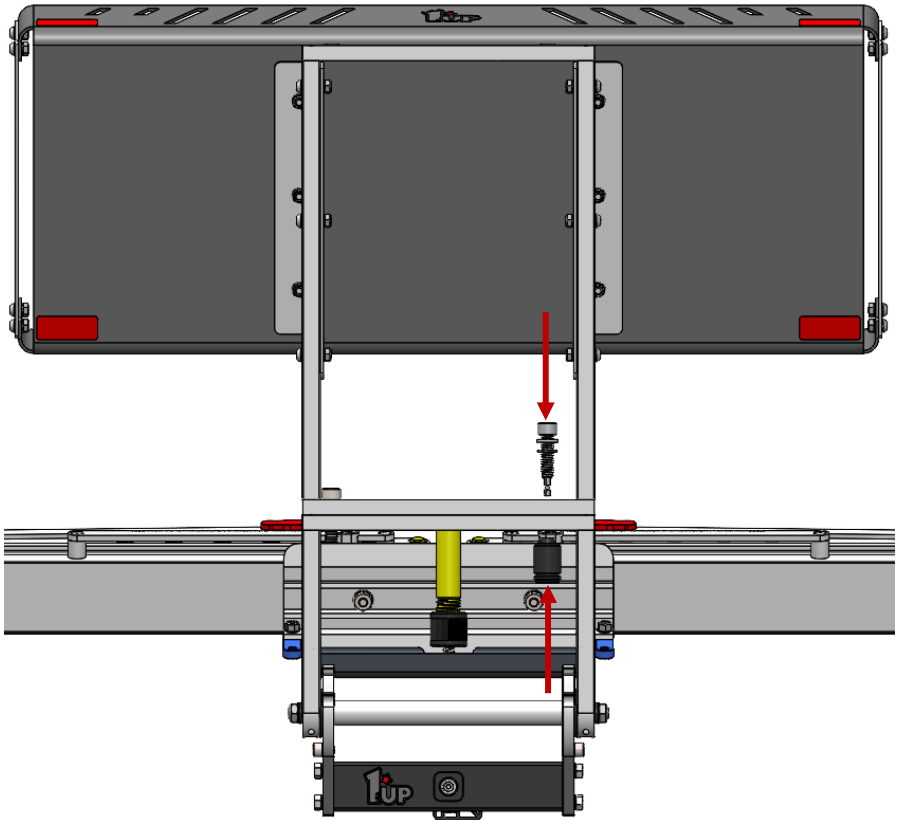
- Place Cargo Add-On onto base rack by aligning Keyhole Plate slots with installed Security Bolts.
- Slide Cargo Add-On to right engaging Security Bolts into narrow portion of Keyhole Plate slots.
- With Base Rack Security Wrench, tighten Security Bolts.



Installing Add-On Lock (if applicable)

Not included with Add-On purchase (sold separately)

- If Add-On is already installed to base rack, remove right Security Bolt. If installing a new Add-On, Add-On Lock Bolt will be applied to right threaded hole of Base Rack Tap Plate.
- Slide locking washer and flat washer over Add-On Lock Bolt and thread into Tap Plate hole.
- With Base Rack Security Wrench, tighten Add-On Lock Bolt.
- Apply Lock Head to end of Add-On Lock Bolt. Key must be inserted and turned to install Lock Head.



Additional Instructions

- Remove road debris off nuts and bolts to prevent corrosion.
- Inspect hardware on Rack periodically to ensure proper working conditions.
- Certain car wash chemicals may damage Rack finish. Please use caution when cleaning vehicle and/ or Rack.

Questions or comments? Contact our support team via email at email@1up-usa.com