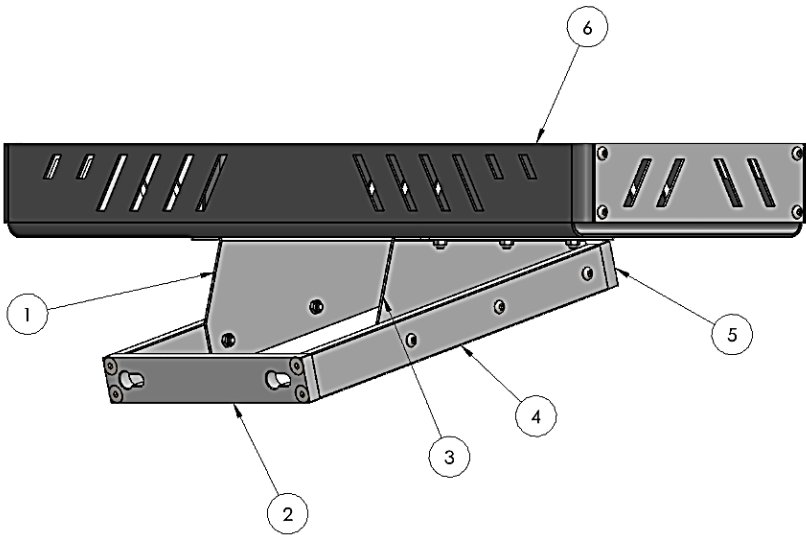


Parts List

- | | |
|--------------------------|----------------------|
| 1) Passenger Btm Bracket | 4) Cargo Add-On Beam |
| 2) Keyhole Plate | 5) Tap Plate |
| 3) Driver Btm Bracket | 6) Cargo Basket |



In the Box:

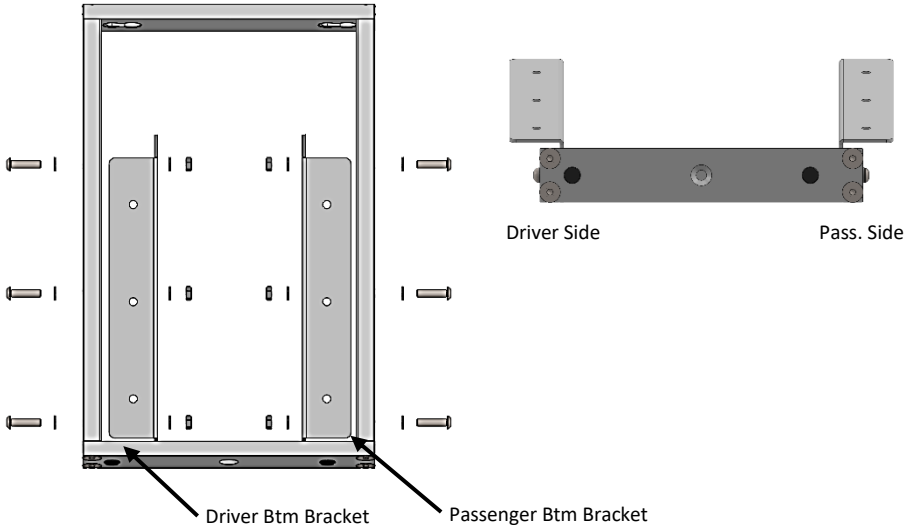
- Cargo Basket
- Passenger & Driver Btm Bracket
- Cargo Add-On Frame
- (2) Security Bolts
- Hardware Bag

Product Notes:

- Compatible with Quik Rack, Heavy Duty and Super Duty models.
- Rated to carry 125 lb on single bike rack setup, 100 lb on two bike rack setup, 75 lb on three bike rack setup.
- Cargo Add-On to be last item installed in rack setup.
- 1/2" wrench required for assembly.

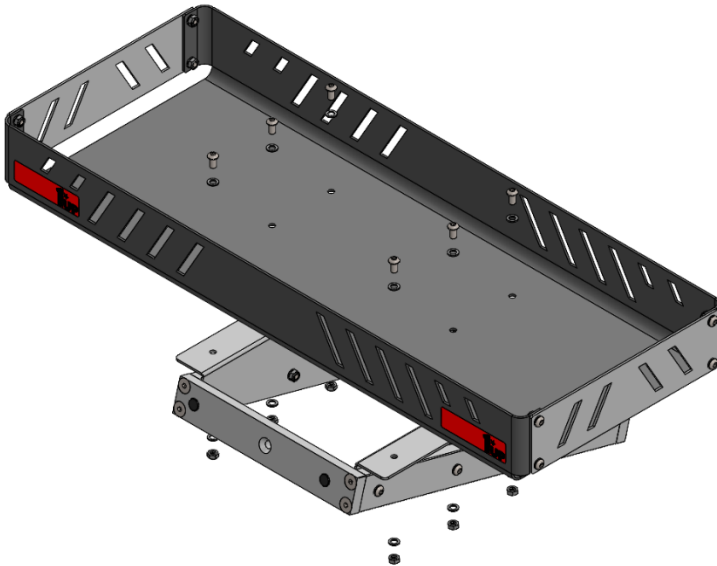
Step 1:

- Install Btm Brackets to Cargo Add-On Frame. Use supplied 5/16-18 x 1.25" Button Heads, washers and jam nylock nuts. Tighten firmly. Be sure to install brackets to Cargo Add-On Frame in correct orientation.



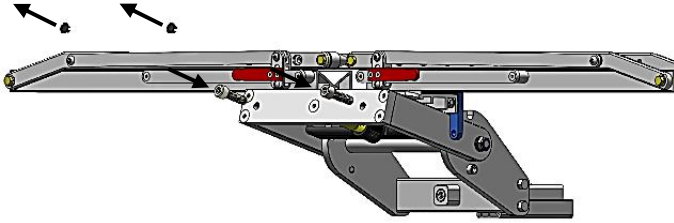
Step 2:

- Install Cargo Basket to Btm Brackets. Use supplied 5/16-18 x .625" Button Heads, washers and jam nylock nuts. Tighten firmly.

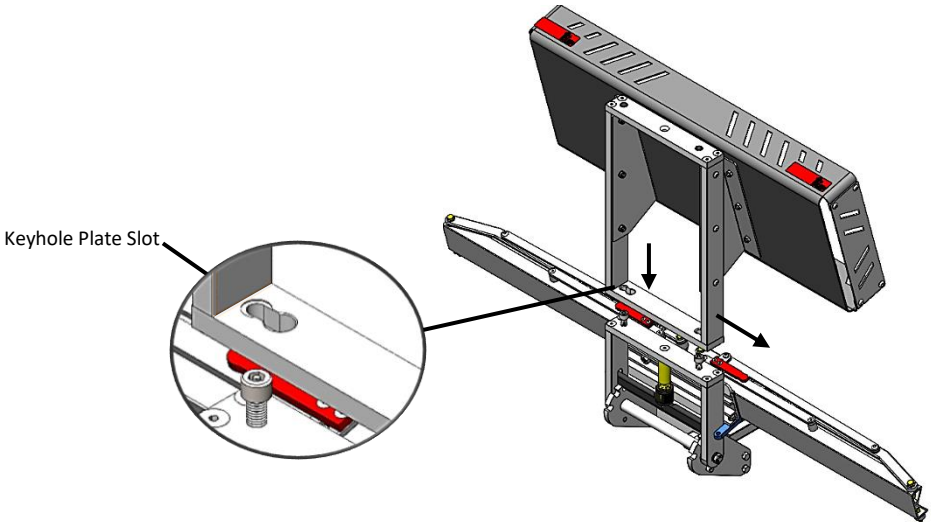


Installing Cargo Add-On

- Pivot Base Rack into Storage position (parallel to the rear of vehicle).
- Remove both plastic caps found in Tap Plate of Base Rack and partially thread in two supplied Security Bolts.



- Place Cargo Add-On onto base rack by aligning Keyhole Plate slots with installed Security Bolts.
- Slide Cargo Add-On to right engaging Security Bolts into narrow portion of Keyhole Plate slots.
- With Base Rack Security Wrench, tighten Security Bolts.



Additional Instructions

- Remove road debris off nuts and bolts to prevent corrosion.
- Inspect hardware on Rack periodically to ensure proper working conditions.
- Certain car wash chemicals may damage Rack finish. Please use caution when cleaning vehicle and/ or Rack.

Questions or comments? Contact our support team via email at email@1up-usa.com