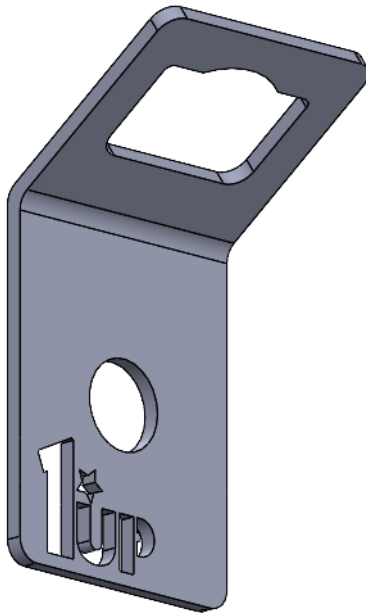


Tools Required:

- Rack Wrench (Tap Plate Mounting)
- 9/16" Wrench (Tray Mounting)

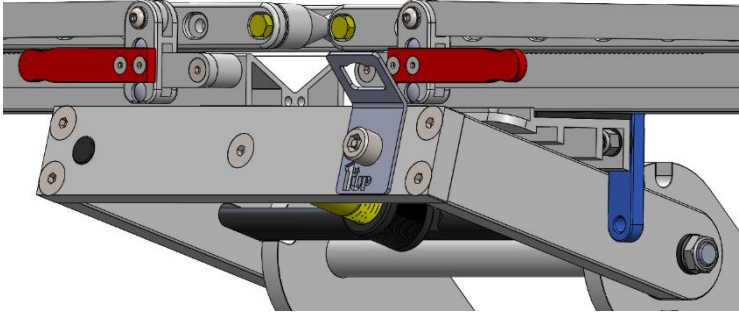


Product Notes:

- Bottle Opener can be mounted to Tap Plate on QR, HD, SD, XD, and Cargo Carrier.
- Bottle Opener can be mounted to Tray on EQ, SD, and XD.

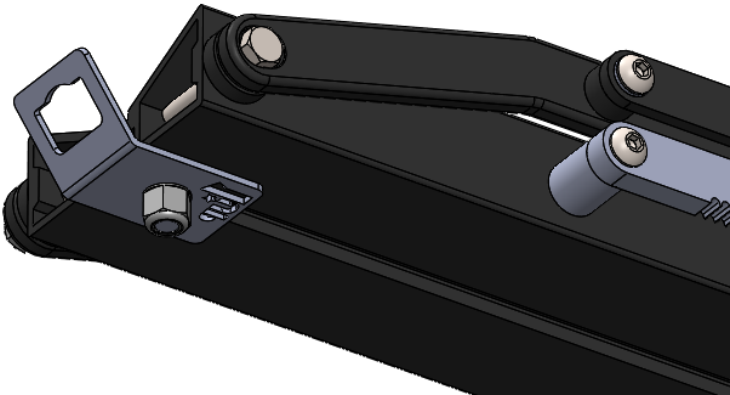
Installation on Tap Plate

- Remove black cap from Tap Plate hole of rack.
- Orientate Bottle Opener in direction shown below.
- Thread provided Security Bolt into hole of Tap Plate.
- Use Rack Wrench to tighten Security Bolt firmly.



Installation on Tray

- Slide carriage bolt in T-Slot under desired Tray.
- Orientate Bottle Opener in direction shown below.
- Slide Bottle Opener, washer, and nut onto carriage bolt.
- Tighten nut firmly with 9/16" Wrench.



Additional Instructions

- Remove road debris off nuts and bolts to prevent corrosion.
- Inspect hardware on Rack periodically to ensure proper working conditions.
- Certain car wash chemicals may damage Rack finish. Please use caution when cleaning vehicle and/ or Rack.

Questions or comments? Contact our support team via email at email@1up-usa.com