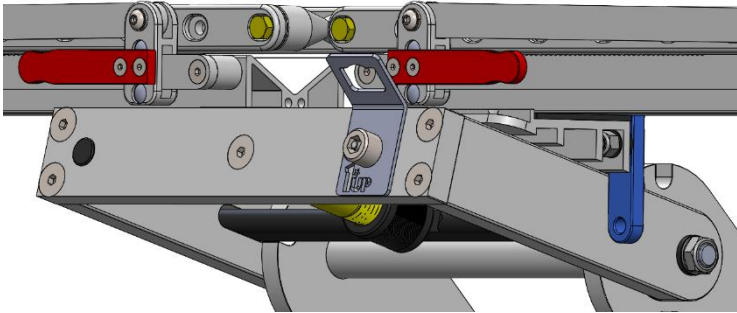


### Tools Required

- Rack Wrench

### Installation

- Remove black cap from tap plate hole of rack.
- Orientate Bottle Opener in direction shown below.
- Thread provided security bolt into hole of tap plate.
- Use Rack Wrench to tighten security bolt firmly.



### Additional Instructions

- Remove road debris off nuts and bolts to prevent corrosion.
- Inspect hardware on Rack periodically to ensure proper working conditions.
- Certain car wash chemicals may damage Rack finish. Please use caution when cleaning vehicle and/ or Rack.

Questions or comments? Contact our support team via email at [email@1up-usa.com](mailto:email@1up-usa.com)