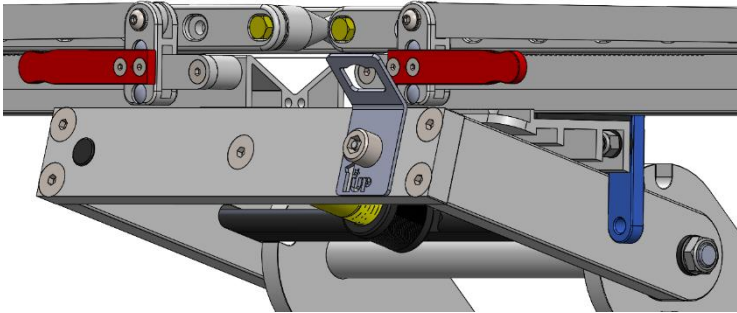


Tools Required

- Rack Wrench

Installation

- Remove black cap from tap plate hole of rack.
- Orientate Bottle Opener in direction shown below.
- Thread provided security bolt into hole of tap plate.
- Use Rack Wrench to tighten security bolt firmly.



Additional Instructions

- Remove road debris off nuts and bolts to prevent corrosion.
- Inspect hardware on Rack periodically to ensure proper working conditions.
- Certain car wash chemicals may damage Rack finish. Please use caution when cleaning vehicle and/ or Rack.

Questions or comments? Contact our support team via email at email@1up-usa.com



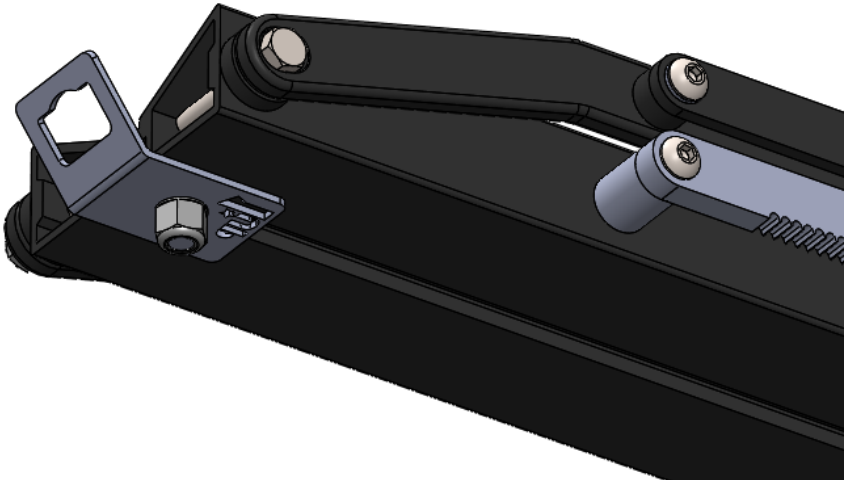
Installing Equip-D Bottle Opener

Tools Required

- 9/16 Wrench (not included)

Installation

- Slide Carriage Bolt in T-Slot under desired Tray.
- Orientate Bottle Opener in direction shown below.
- Slide Bottle Opener, washer, and nut onto Carriage Bolt.
- Tighten nut firmly.



Additional Instructions

- Remove road debris off nuts and bolts to prevent corrosion.
- Inspect hardware on Rack periodically to ensure proper working conditions.
- Certain car wash chemicals may damage Rack finish. Please use caution when cleaning vehicle and/ or Rack.

Questions or comments? Contact our support team via email at email@1up-usa.com