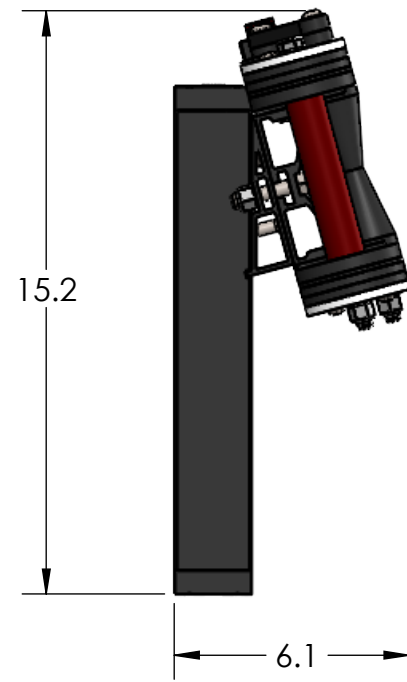
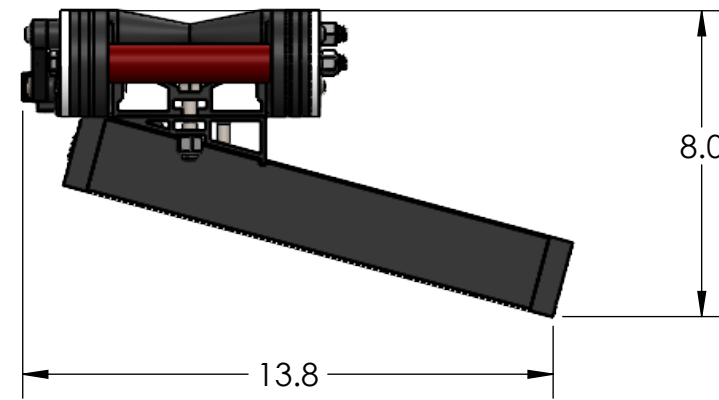


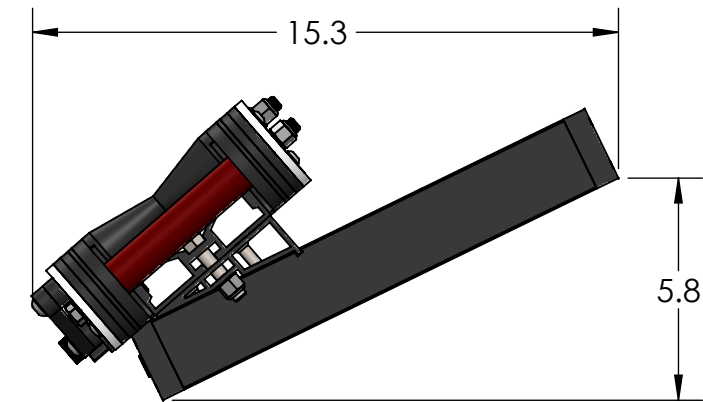
# XD ADD-ON



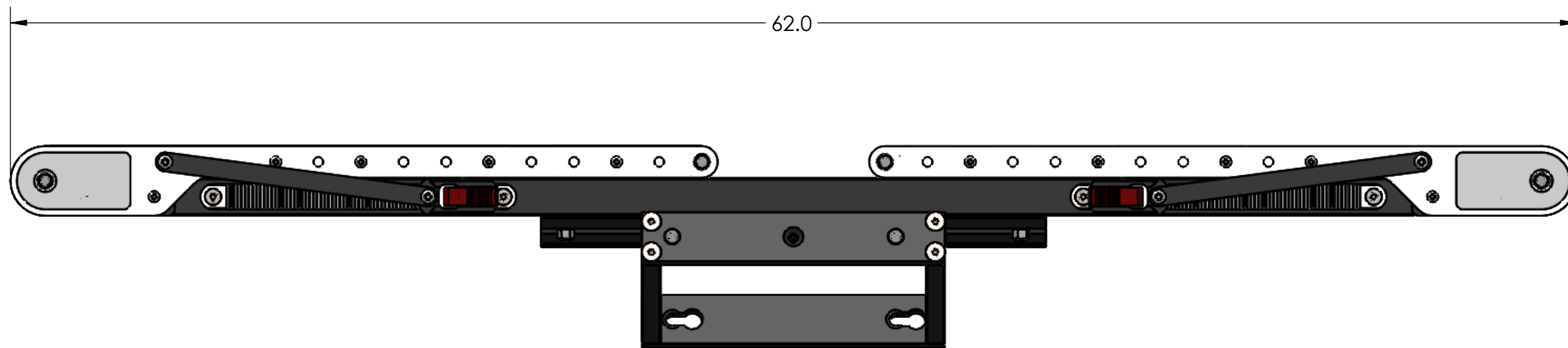
**STORAGE POSITION**



**RIDE POSITION**



**DOWN POSITION**



**OVERALL WIDTH**

**SEE BASE RACK FITMENT DRAWINGS FOR ADDITIONAL DIMENSIONS**