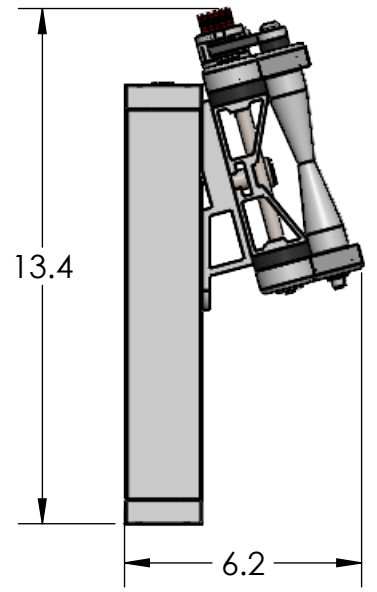
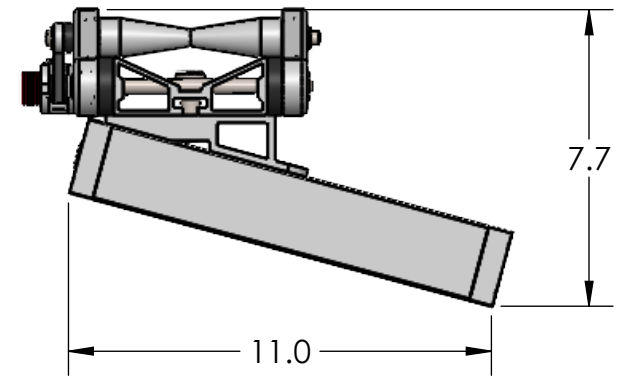


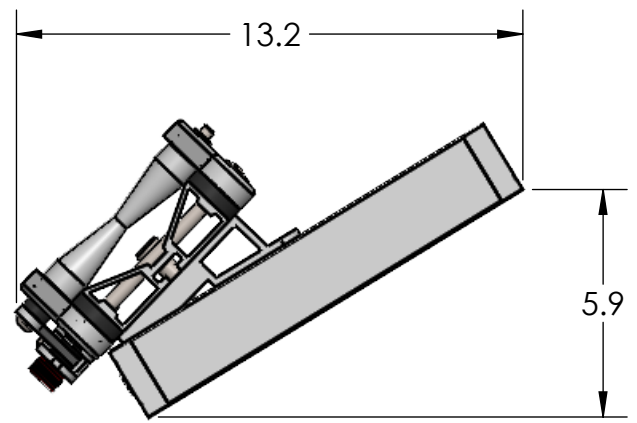
# SUPER DUTY ADD-ON



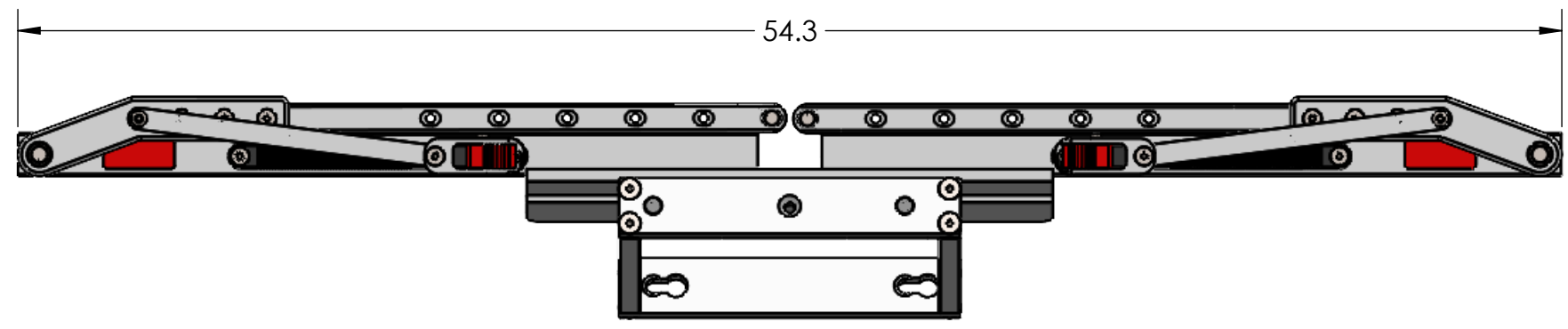
**STORAGE POSITION**



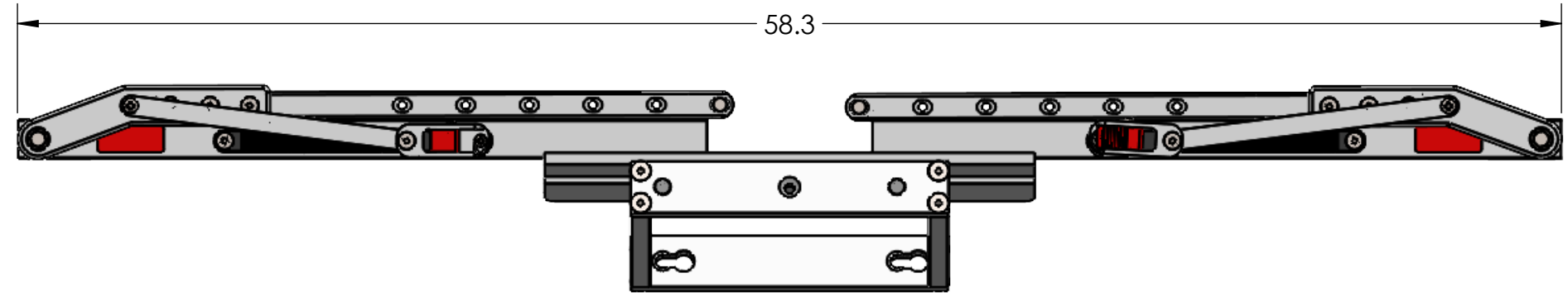
**RIDE POSITION**



**DOWN POSITION**



**OVERALL WIDTH**



**OVERALL WIDTH-WIDE POSITION**

**SEE BASE RACK FITMENT DRAWINGS FOR ADDITIONAL DIMENSIONS.**