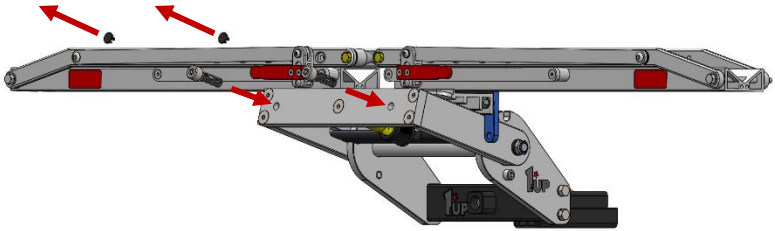


### In the Box:

- 1UP USA Add-On
- 2 Security Bolts

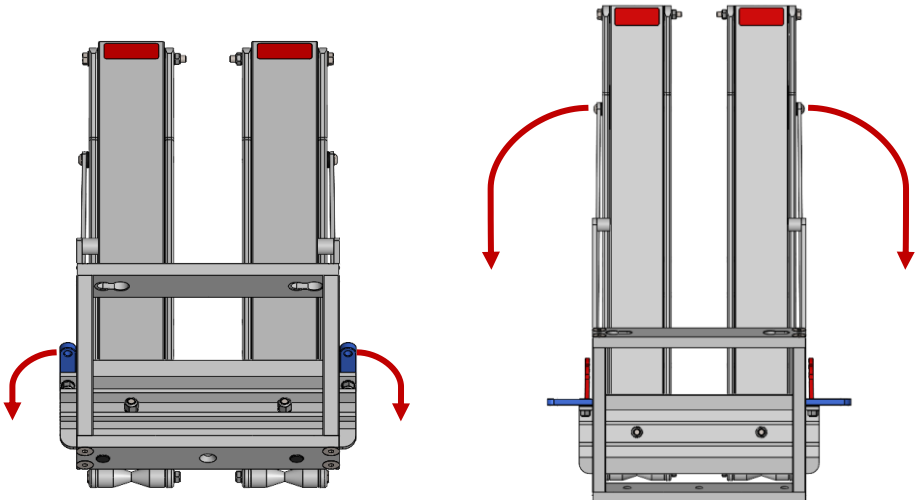
### Step 1:

- Pivot Base Rack into the Storage position (parallel to the rear of vehicle).
- Remove both plastic caps found in Tap Plate of Base Rack and partially thread in two supplied Security Bolts.



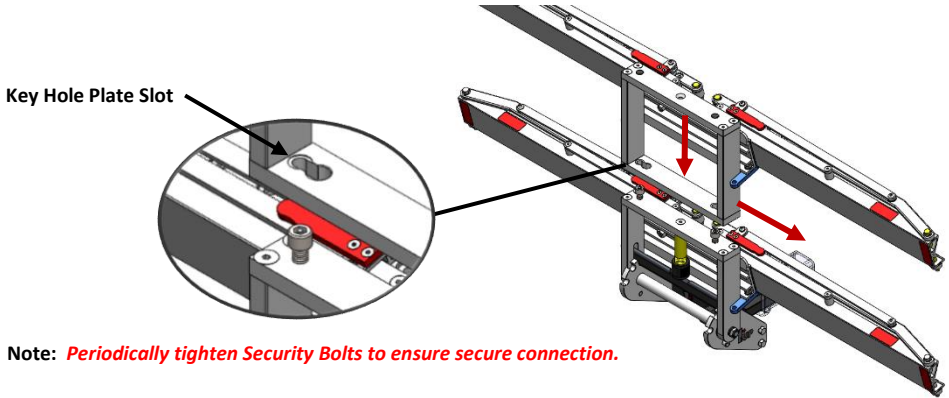
### Step 2:

- Position Rack with trays facing down and place on a stable nonabrasive surface.
- Rotate Blue Levers outward 90°.
- Rotate Trays outward 90° into loading position.
- Rotate Blue levers back into original locking position.
- *Ensure Blue Levers are always in locked position when using rack.*



### **Step 3:**

- Place Add-On onto base rack by aligning Key Hole Plate slots with installed Security Bolts.
- Slide Add-On to the right engaging Security Bolts into narrow portion of Key Hole Plate slots.
- With Base Rack Security Wrench, tighten Security Bolts.

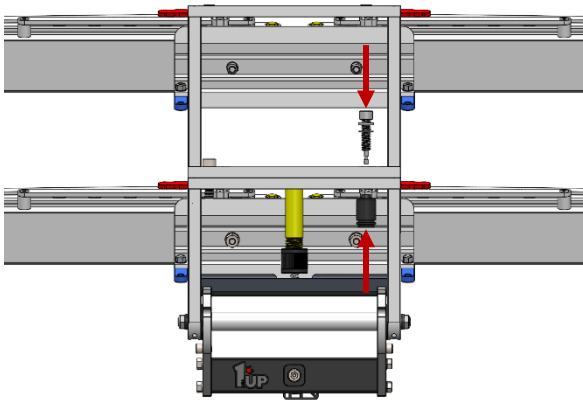


**Note:** *Periodically tighten Security Bolts to ensure secure connection.*

### **Installing Add-On Lock (if applicable)**

Not included with Add-On purchase (sold separately)

- If Add-On is already installed to base rack, remove right Security Bolt. If installing a new Add-On, Add-On Lock Bolt will be applied to right threaded hole of Base Rack Tap Plate.
- Slide locking washer and flat washer over Add-On Lock Bolt and thread into Tap Plate hole.
- With Base Rack Security Wrench, tighten Add-On Lock Bolt.
- Apply Lock Head to end of Add-On Lock Bolt. Key must be inserted and turned to install Lock Head.



### **Additional Instructions**

- Remove road debris off nuts and bolts to prevent corrosion.
- Inspect hardware on Rack periodically to ensure proper working conditions.
- Certain car wash chemicals may damage Rack finish. Please use caution when cleaning vehicle and/ or Rack.

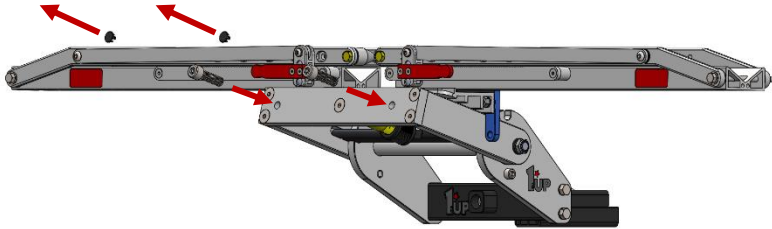
Questions or comments? Contact our support team via email at [email@1up-usa.com](mailto:email@1up-usa.com)

### In the Box:

- 1UP USA Add-On
- 2 Security Bolts

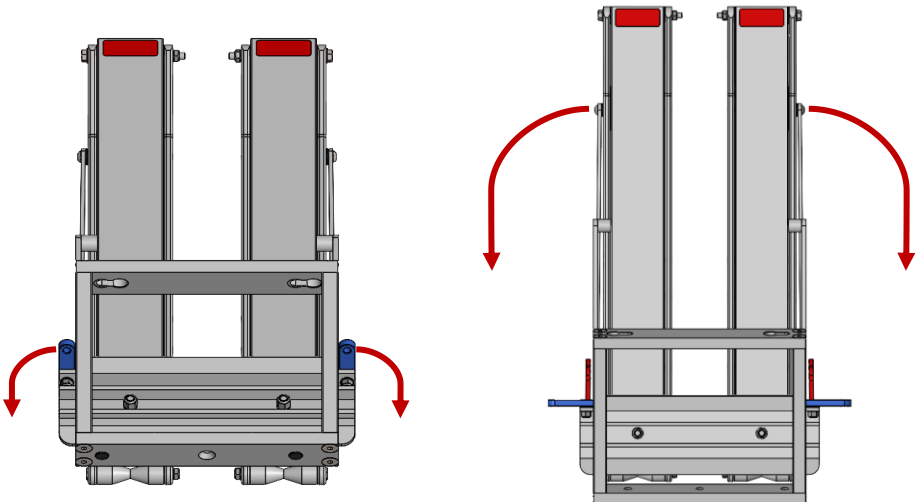
### Step 1:

- Pivot Base Rack into the Storage position (parallel to the rear of vehicle).
- Remove both plastic caps found in Tap Plate of Base Rack and partially thread in two supplied Security Bolts.



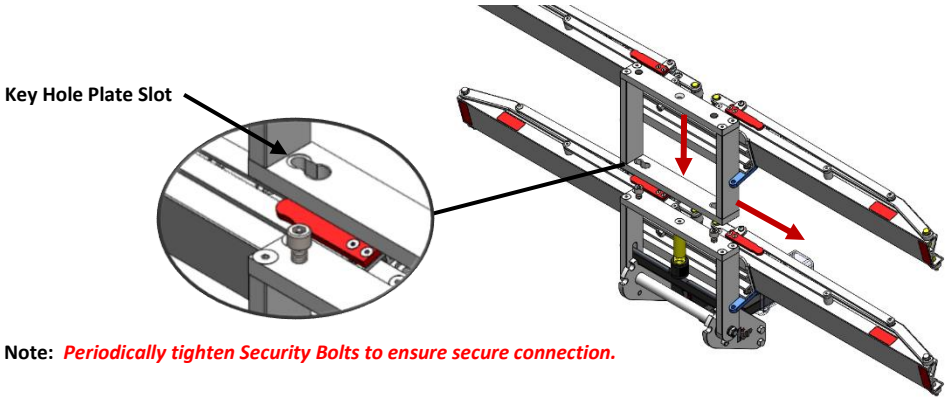
### Step 2:

- Position Rack with trays facing down and place on a stable nonabrasive surface.
- Rotate Blue Levers outward 90°.
- Rotate Trays outward 90° into loading position.
- Rotate Blue levers back into original locking position.
- *Ensure Blue Levers are always in locked position when using rack.*



### Step 3:

- Place Add-On onto base rack by aligning Key Hole Plate slots with installed Security Bolts.
- Slide Add-On to right engaging Security Bolts into narrow portion of Key Hole Plate slots.
- With Base Rack Security Wrench, tighten Security Bolts.

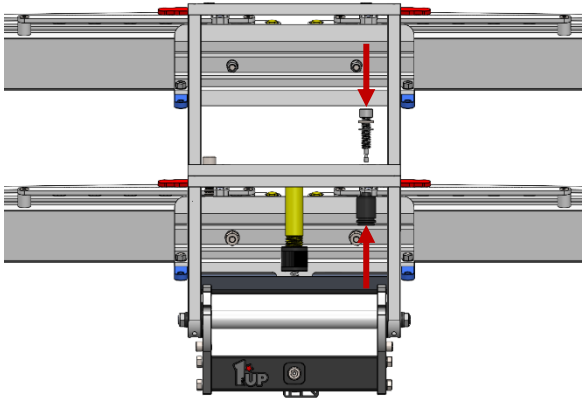


**Note:** *Periodically tighten Security Bolts to ensure secure connection.*

### Installing Add-On Lock (if applicable)

Not included with Add-On purchase (sold separately)

- If Add-On is already installed to base rack, remove right Security Bolt. If installing a new Add-On, Add-On Lock Bolt will be applied to right threaded hole of Base Rack Tap Plate.
- Slide locking washer and flat washer over Add-On Lock Bolt and thread into Tap Plate hole.
- With Base Rack Security Wrench, tighten Add-On Lock Bolt.
- Apply Lock Head to end of Add-On Lock Bolt. Key must be inserted and turned to install Lock Head.



### Additional Instructions

- Remove road debris off nuts and bolts to prevent corrosion.
- Inspect hardware on Rack periodically to ensure proper working conditions.
- Certain car wash chemicals may damage Rack finish. Please use caution when cleaning vehicle and/ or Rack.

Questions or comments? Contact our support team via email at [email@1up-usa.com](mailto:email@1up-usa.com)