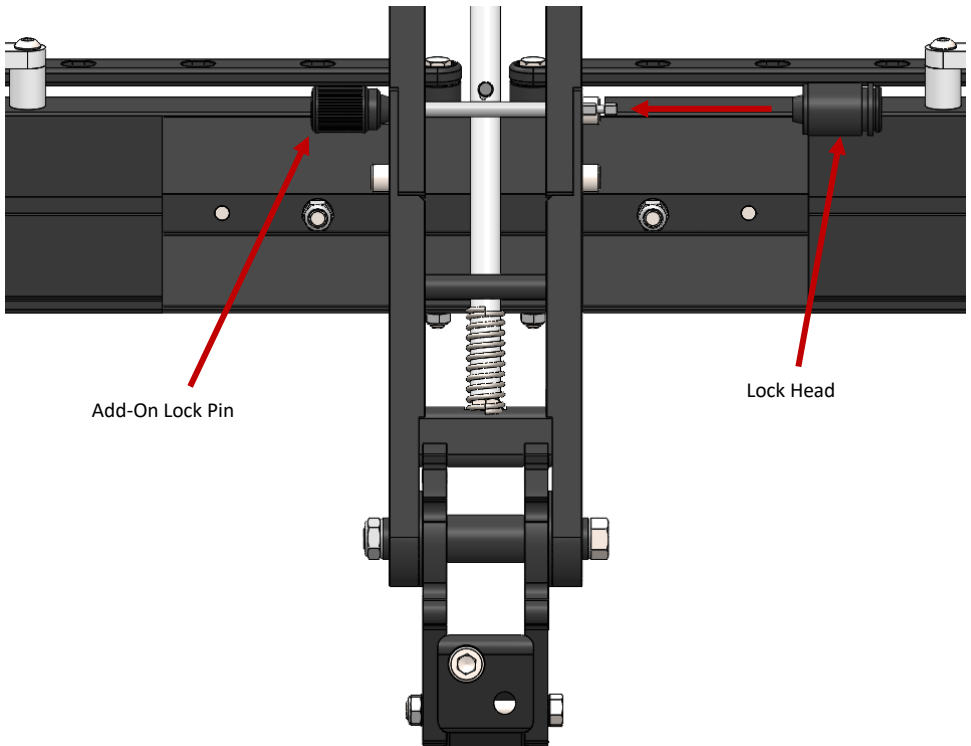


- Install Add-On Lock Pin through holes and apply Lock Head to end of Add-On Lock Pin.
- Key must be inserted and turned to lock.



### **Additional Instructions**

- Remove road debris off nuts and bolts to prevent corrosion.
- Inspect hardware on Rack periodically to ensure proper working conditions.
- Certain car wash chemicals may damage Rack finish. Please use caution when cleaning vehicle and/ or Rack.

Questions or comments? Contact our support team via email at [email@1up-usa.com](mailto:email@1up-usa.com)