

### In the Box:

- APS Component(s)
- Hardware Packet

### Tools Required:

- 1/2" Socket and Wrench

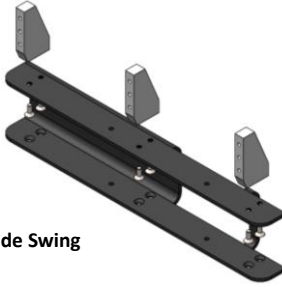
### Product Notes:

- Panel Weight Capacity: 200 lbs
- Table Weight Capacity: 75 lbs

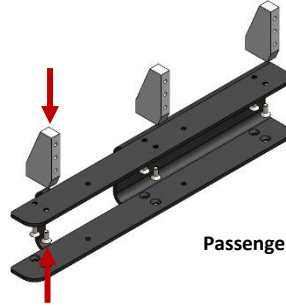
## Main Panel

### Step 1:

- Using supplied Allen Wrench and 5/16"-18 Flat Heads tighten Panel Supports onto Panel Mount.
- Tapped holes on Panel Supports to face away from bend on Panel Mount.
- Panel Mount orientation determines driver or passenger side swing.



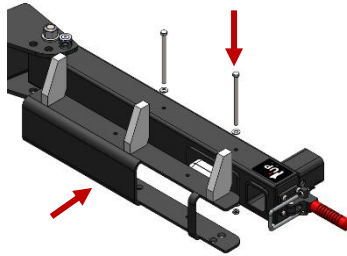
Driver Side Swing



Passenger Side Swing

### Step 2:

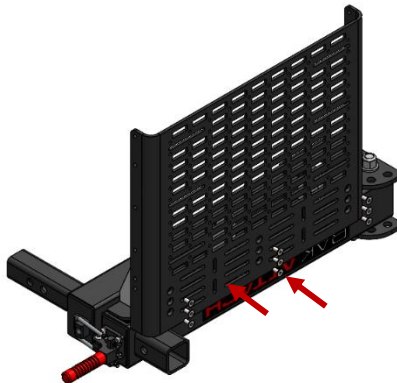
- Install RakAttach into vehicle with Swing Arm open.
- Slide Panel Mount over Swing Arm and align mounting holes. (Note orientation shown below)
- Insert 5/16"-18 Hex Bolts and 5/16" Washers through Panel Mount and Swing Arm.
- Install 5/16" Washers and 5/16"-18 Nylock Nuts using 1/2" Socket and Wrench to tighten.



**Note:** *RakAttach purchased before 1/1/2025 will need tapped holes drilled out to 5/16".*

### Step 3:

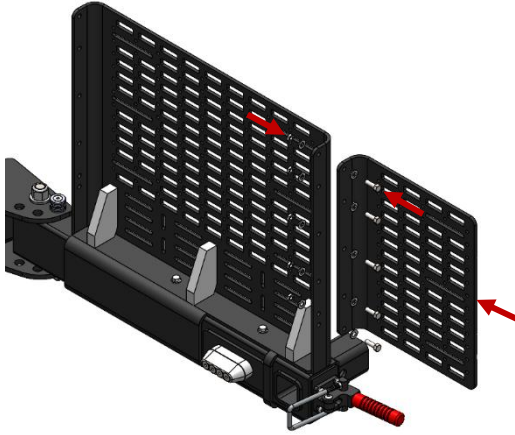
- Align Main Panel against Panel Supports.
- Using supplied Allen Wrench and 5/16"-18 Flat Heads tighten Main Panel onto Panel Supports.



## Side Panel

### Step 1:

- Align Side Panel on left or right of Main Panel. (Note orientation shown below)
- Insert 5/16"-18 Hex Bolts and 5/16" Washers through Side Panel and Main Panel.
- Install 5/16" Washers and 5/16"-18 Nylock Nuts using 1/2" Socket and Wrench to tighten.

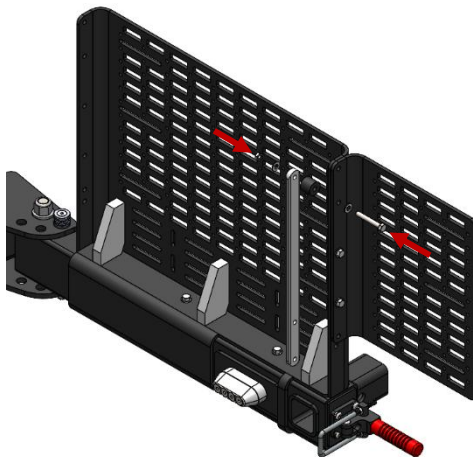


**Note:** *Top 2 and bottom most bolts will not be used if using Table.*

## Table

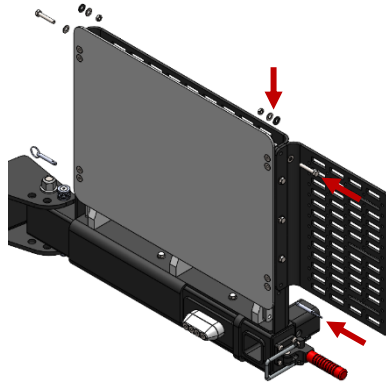
### Step 1:

- Insert 5/16"-18 x 2.25" Hex Bolt and 5/16" Washer through second hole from top on Main Panel.
- Place Spacer and Table Support onto Hex Bolt. (Note orientation shown below)
- Install 5/16" Washer and 5/16"-18 Nylock Nut using 1/2" Socket and Wrench to tighten.
- Repeat process on opposite side. (Ensure Table Supports pivot freely)



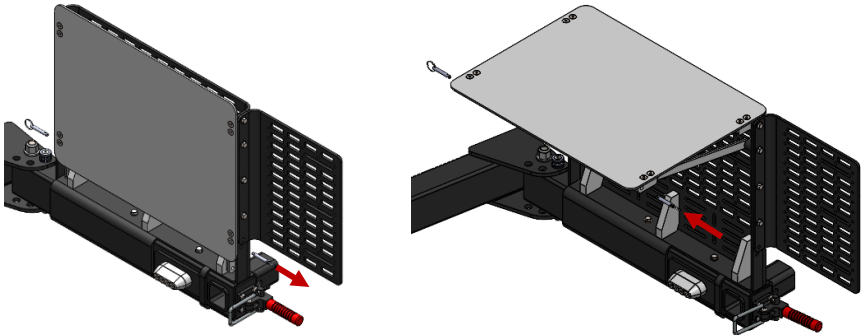
## **Step 2:**

- Align Table Top against back of Main Panel.
- Insert 5/16" Pins into lowest holes in Main Panel and through Table Mounts and Table Supports.
- Insert 5/16"-18 x 1.75" Hex Bolts and 5/16" Washers into topmost holes in Main Panel.
- Place Spacers between Main Panel and Table Mounts and push hex bolts completely through.
- Install 5/16" Washers and 5/16"-18 Nylock Nuts using 1/2" Socket and Wrench to tighten.
- Remove 5/16" Pins and ensure Table Top pivots freely.



### **Using Table**

- Remove both 5/16" Pins and pivot Table Top up.
- Pivot Table Supports up and insert 5/16" Pins through Table Supports and Table Mounts.
- Repeat steps in reverse to close Table Top.



### **Additional Instructions**

- Remove road debris off nuts and bolts to prevent corrosion.
- Inspect hardware on Accessory periodically to ensure proper working conditions.
- Certain car wash chemicals may damage Accessory finish. Please use caution when cleaning vehicle and/or Accessory.

Questions or comments? Contact our support team via email at [email@1up-usa.com](mailto:email@1up-usa.com)