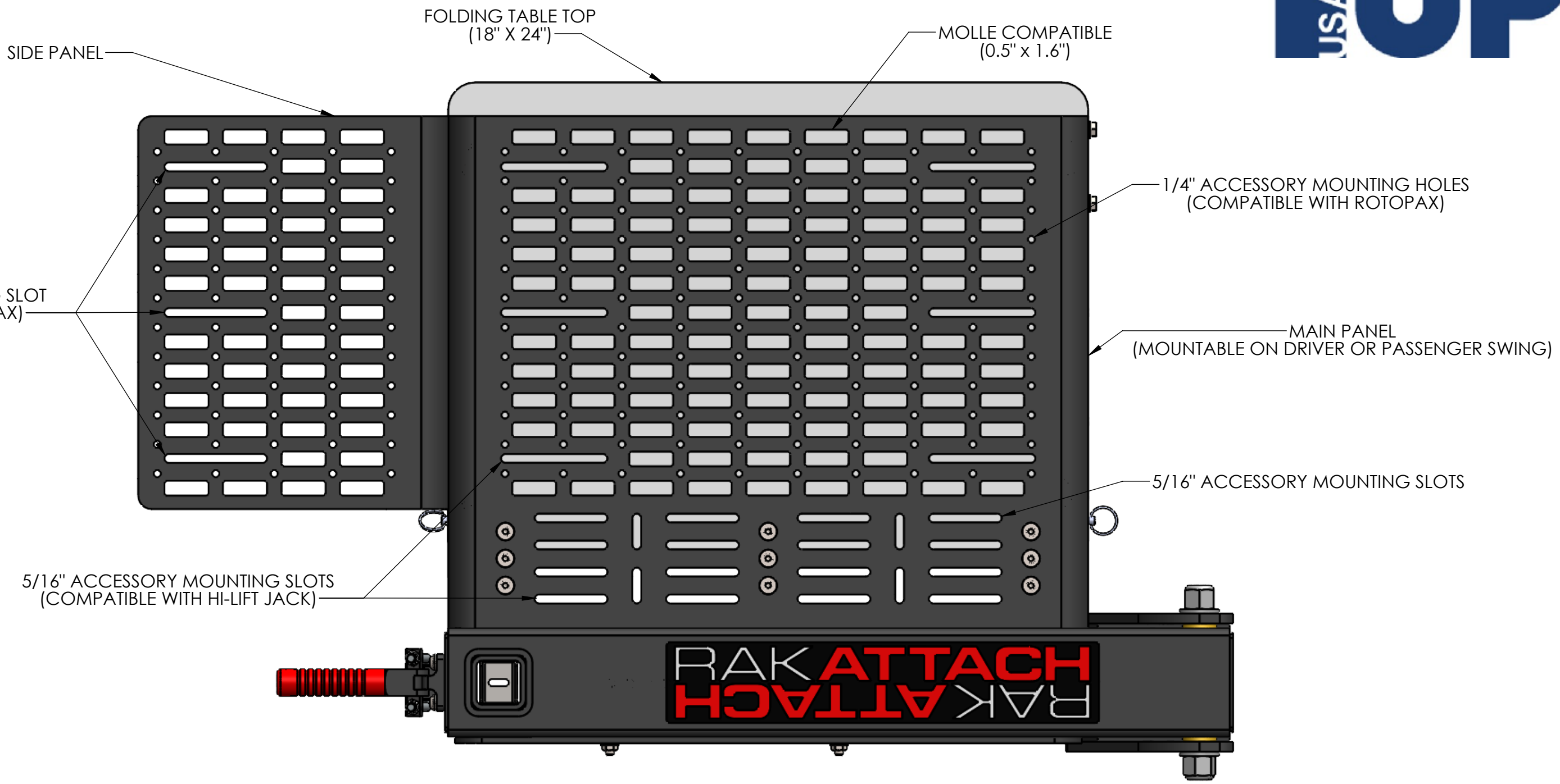
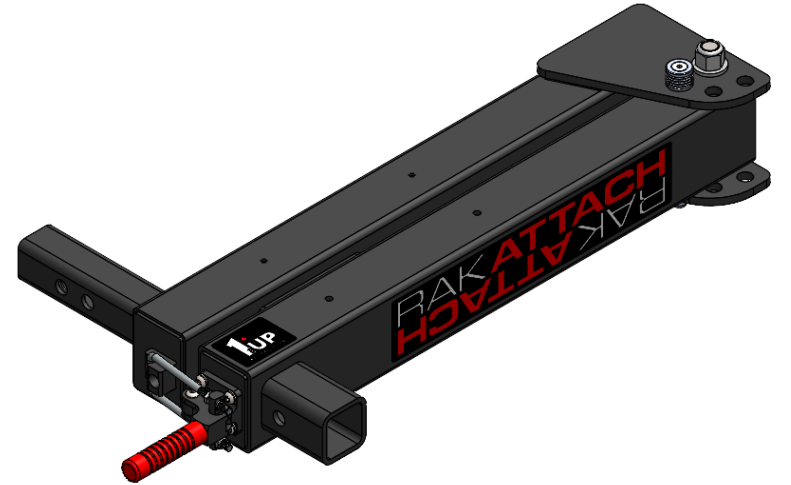
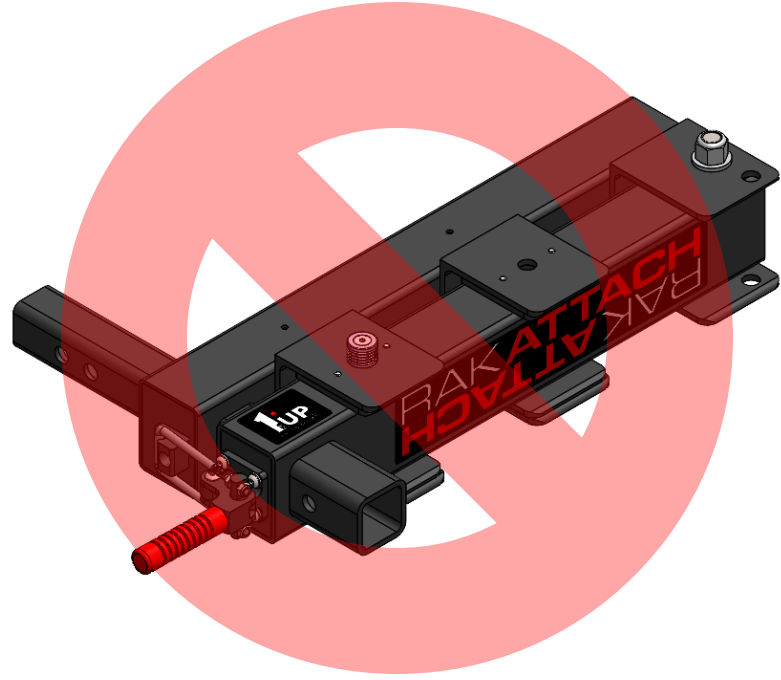


APS - FEATURES

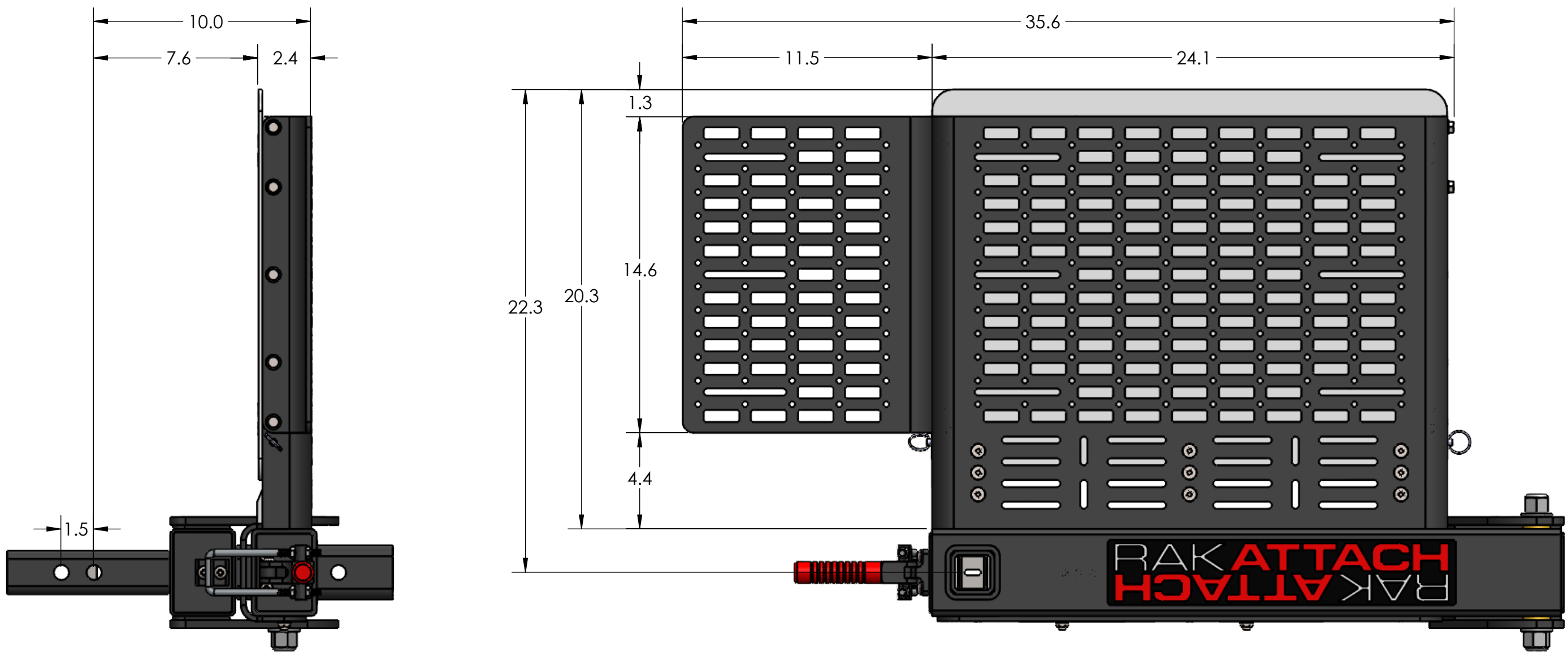


NOTES: COMPATIBLE WITH DRIVER AND PASSENGER SWING (PASSENGER SHOWN)

APS - COMPATIBILITY

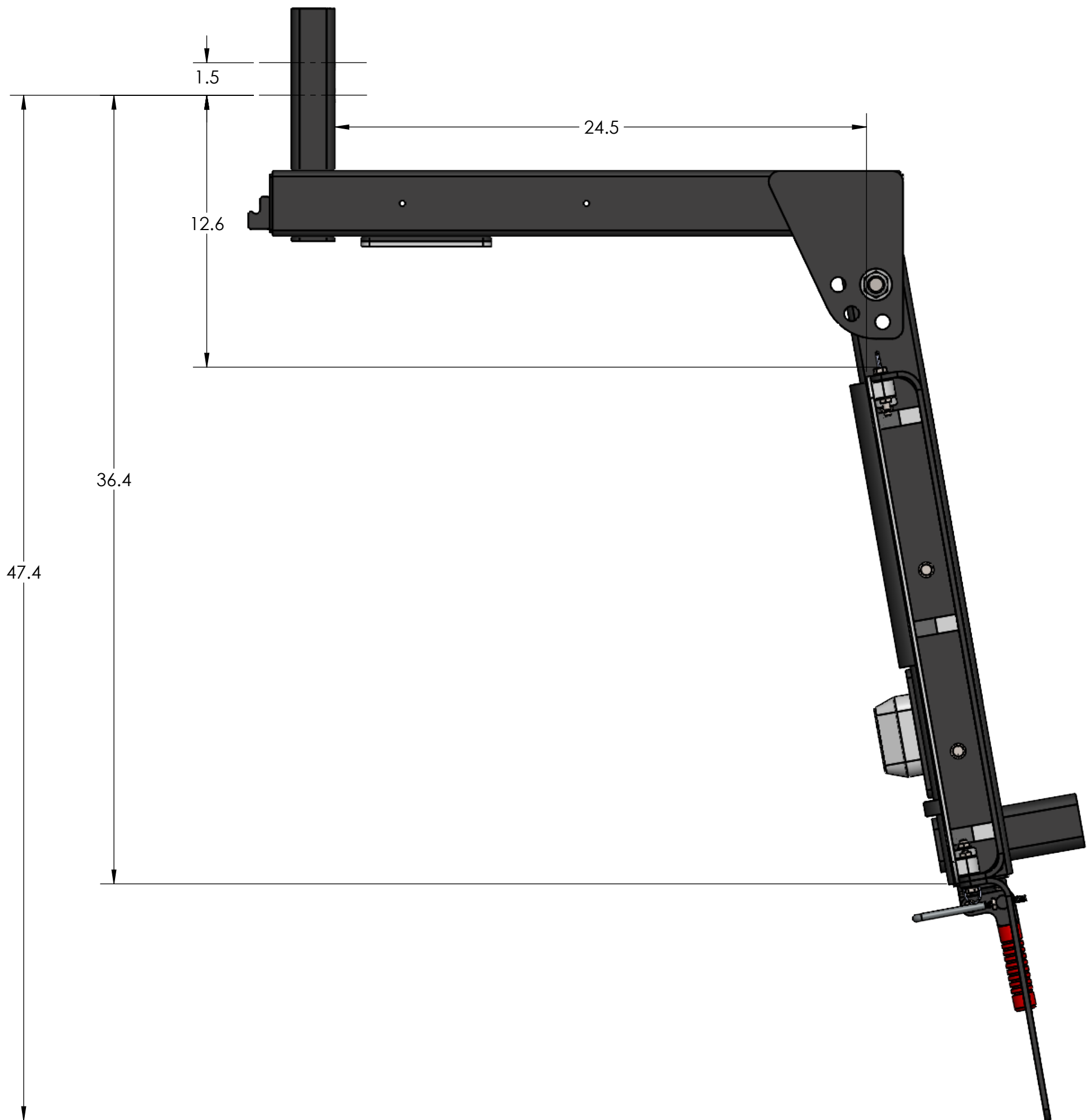


APS - CLOSED

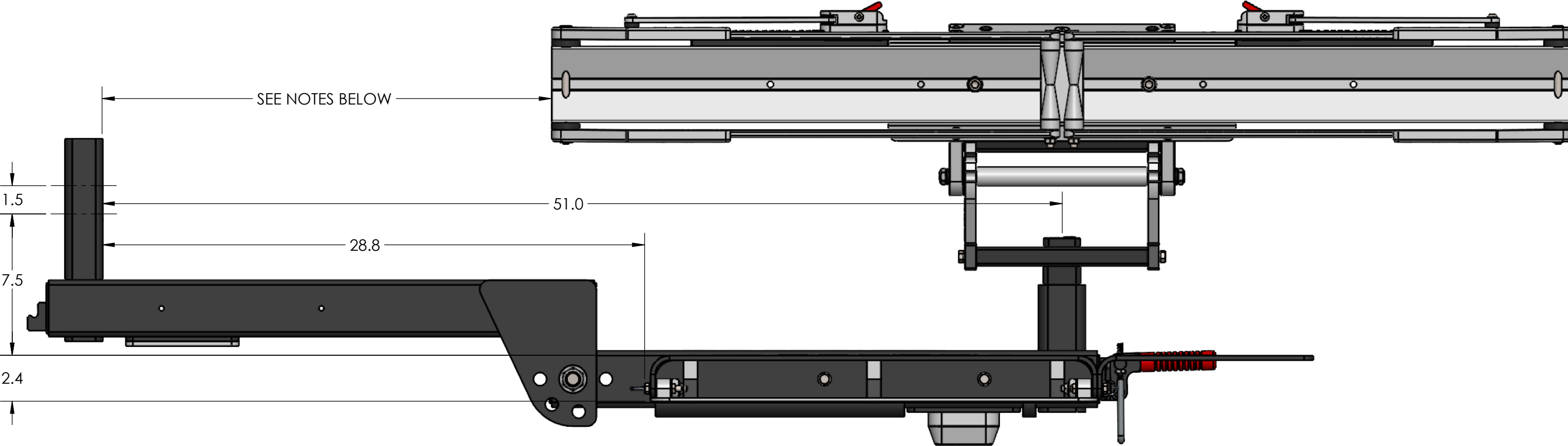


NOTES: COMPATIBLE WITH DRIVER AND PASSENGER SWING (PASSENGER SHOWN)

APS - OPEN

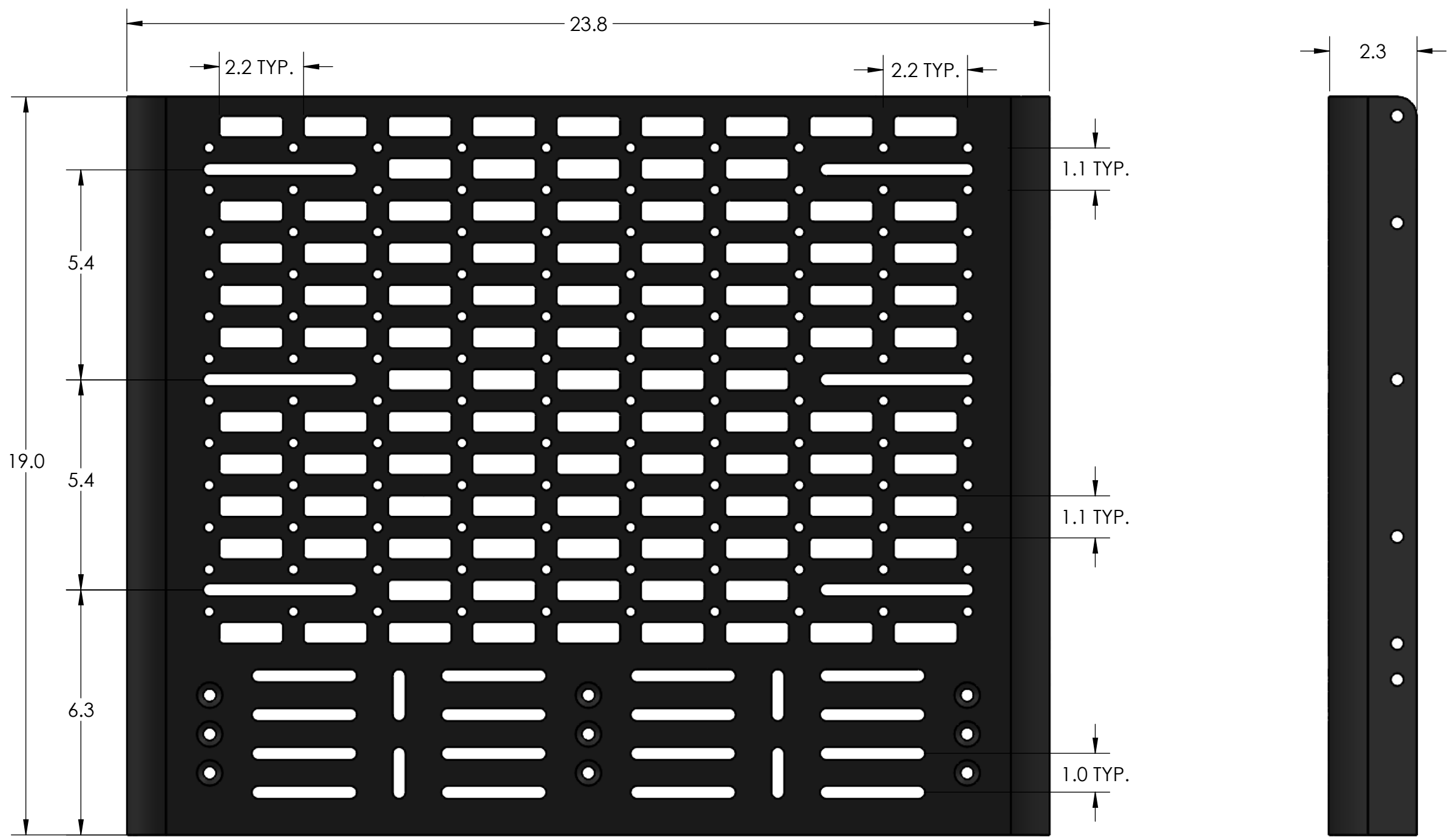


APS - MAX CLEARANCE



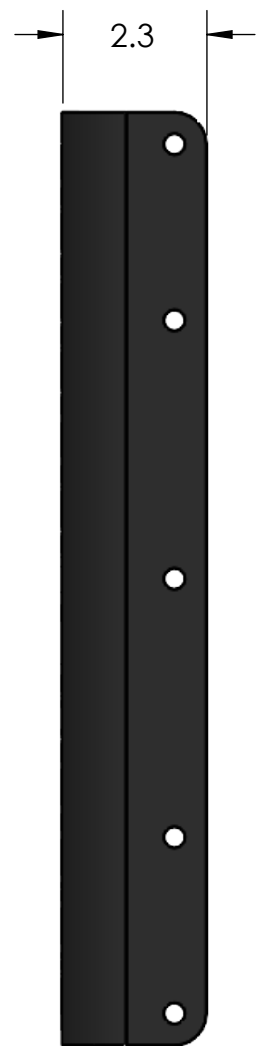
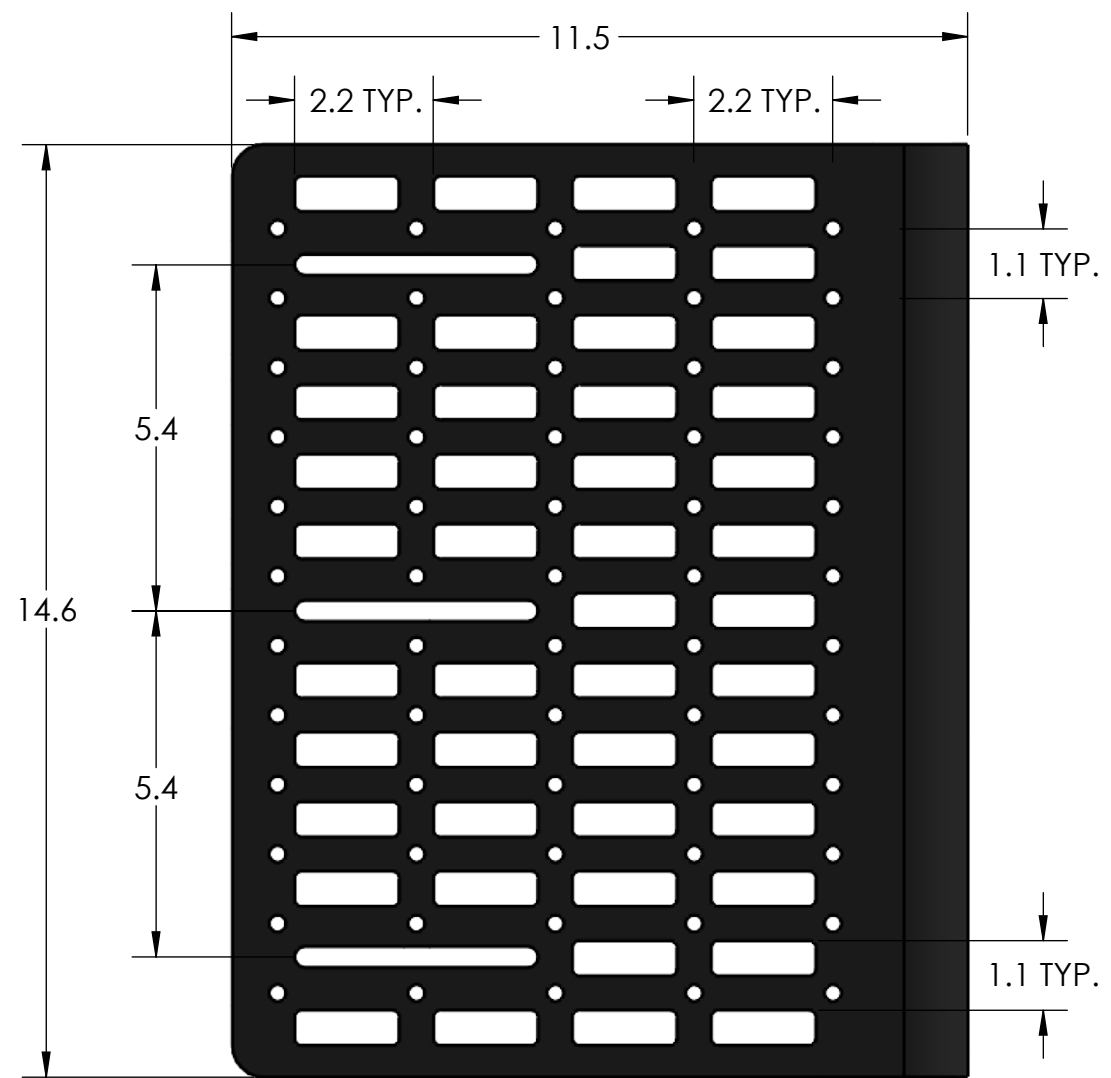
NOTES: RAKATTACH SWING ARM FREE TO PIVOT IN THIS ORIENTATION, SEE RACK FITMENT TO ENSURE VEHICLE CLEARANCE

APS - MAIN PANEL



NOTES: COMPATIBLE WITH DRIVER AND PASSENGER SWING

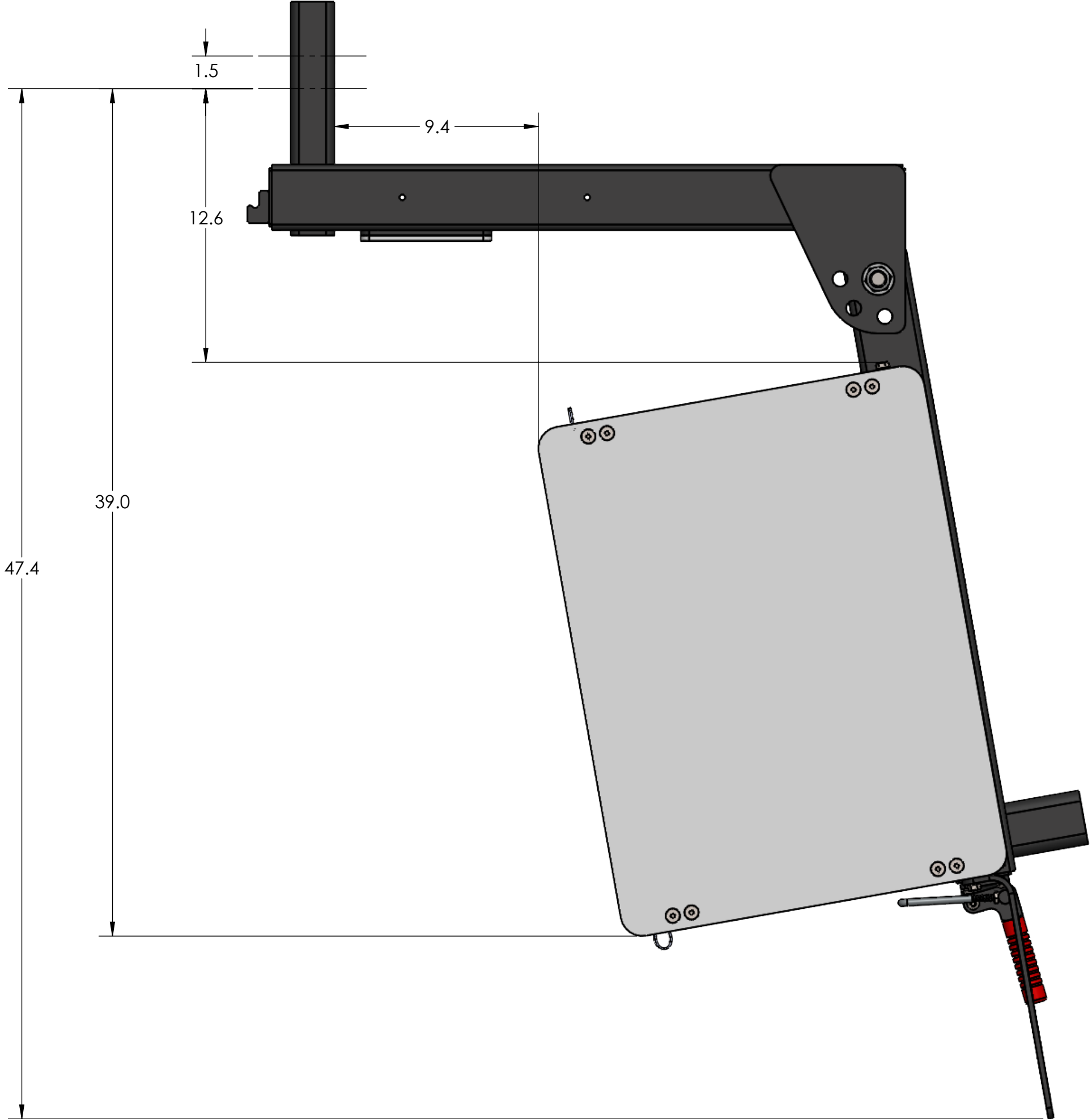
APS - SIDE PANEL



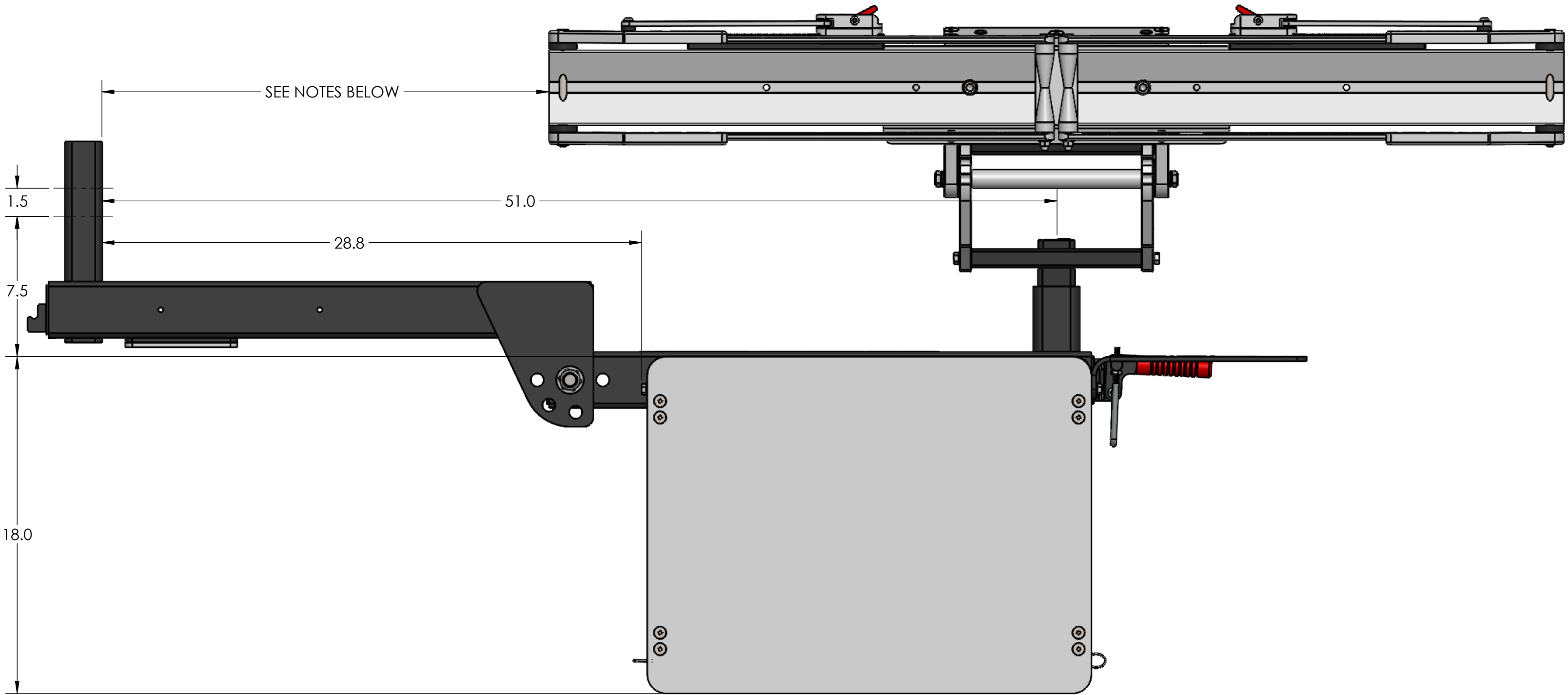
APS - TABLE



APS - OPEN (TABLE OPEN)



APS - MAX CLEARANCE (TABLE OPEN)



NOTES: RAKATTACH SWING ARM FREE TO PIVOT IN THIS ORIENTATION, SEE RACK FITMENT TO ENSURE VEHICLE CLEARANCE