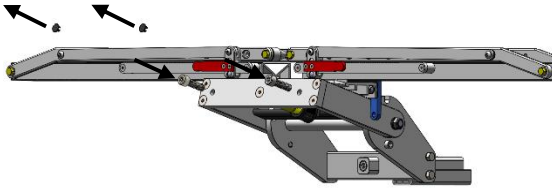


In the Box:

- 1UP USA Add-On
- 2 Security Bolts

Step 1:

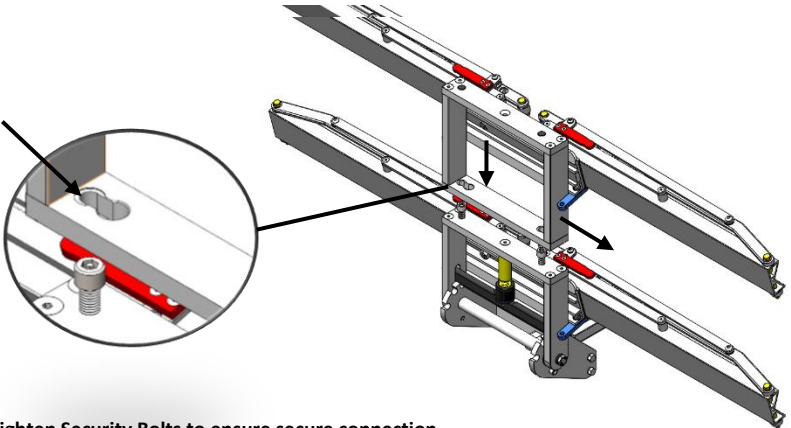
- Pivot Base Rack into the Storage position (parallel to the rear of vehicle).
- Remove both plastic caps found in Tap Plate of Base Rack and partially thread in two supplied Security Bolts.



Step 2:

- Place Add-On onto base rack by aligning Key Hole Plate slots with installed Security Bolts.
- Slide Add-On to right engaging Security Bolts into narrow portion of Key Hole Plate slots.
- With Base Rack Security Wrench, tighten Security Bolts.

KEY HOLE PLATE SLOT

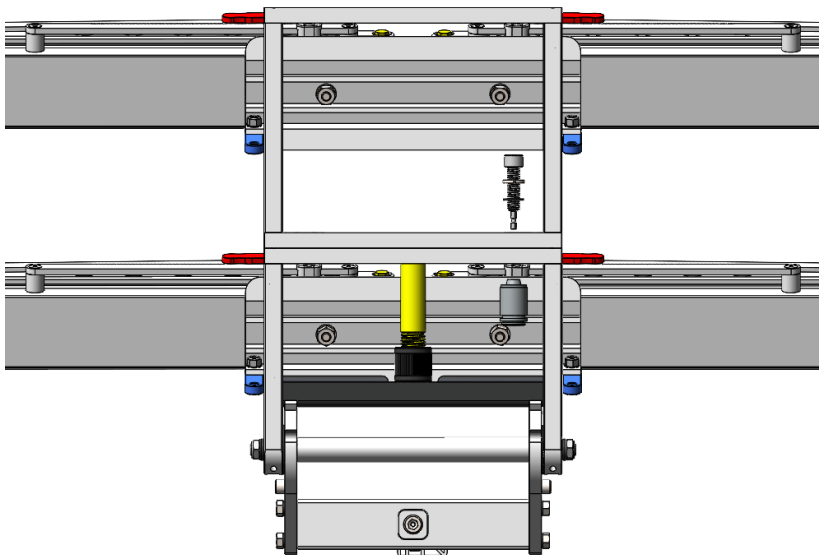


Note: Periodically tighten Security Bolts to ensure secure connection.

Installing Add-On Lock (if applicable)

Not included with Add-On purchase (sold separately)

- If Add-On is already installed to base rack, remove right Security Bolt. If installing a new Add-On, Add-On Locking Bolt will be applied to right threaded hole of Base Rack Tap Plate.
- Slide locking washer and spacer over Add-On Locking Bolt and thread into Tap Plate hole.
- With Base Rack Security Wrench, tighten Add-On Locking Bolt.
- Apply Lock Head to threaded end of Add-On Locking Bolt. Key must be inserted and turned to thread Lock Head into position.



Additional Instructions

- Remove road debris off nuts and bolts to prevent corrosion.
- Inspect hardware on Rack periodically to ensure proper working conditions.
- Certain car wash chemicals may damage Rack finish. Please use caution when cleaning vehicle and/ or Rack.

Questions or comments? Contact our support team via email at email@1up-usa.com