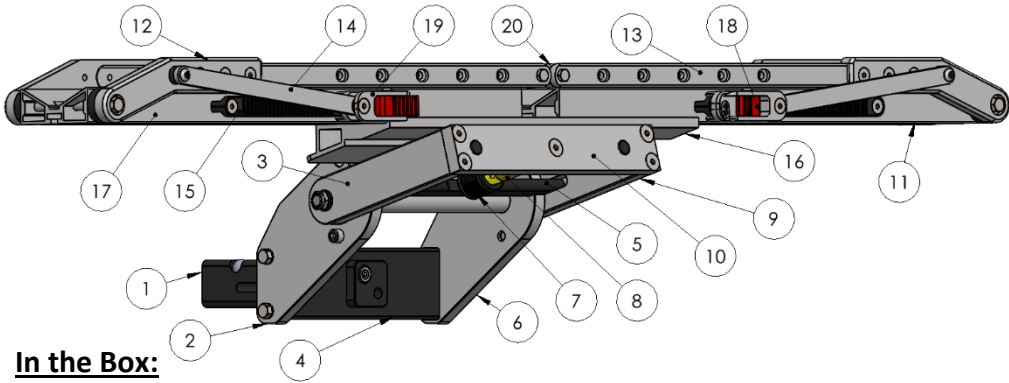




Parts List

- | | |
|----------------------------|----------------------|
| 1) 2" Hitch | 11) Passenger Tray |
| 2) Driver 2" Side Plate | 12) Bent Arm Bracket |
| 3) Driver Pivot Beam | 13) Bent Arm |
| 4) Cross Bar | 14) Strap |
| 5) Black Bar | 15) Glide Bar |
| 6) Passenger 2" Side Plate | 16) 15 Degree Plate |
| 7) Gold Bar Knob | 17) Driver Tray |
| 8) Gold Bar | 18) Button |
| 9) Passenger Pivot Beam | 19) Domino |
| 10) Tap Plate | 20) Spool |



In the Box:

- Hitch Assembly
- 15 Degree Plate
- Driver Tray
- Passenger Tray
- Hardware Packet
- (2) Security Wrench
- Hitch Bar Lock
- 3/16" Allen Wrench

Product Notes:

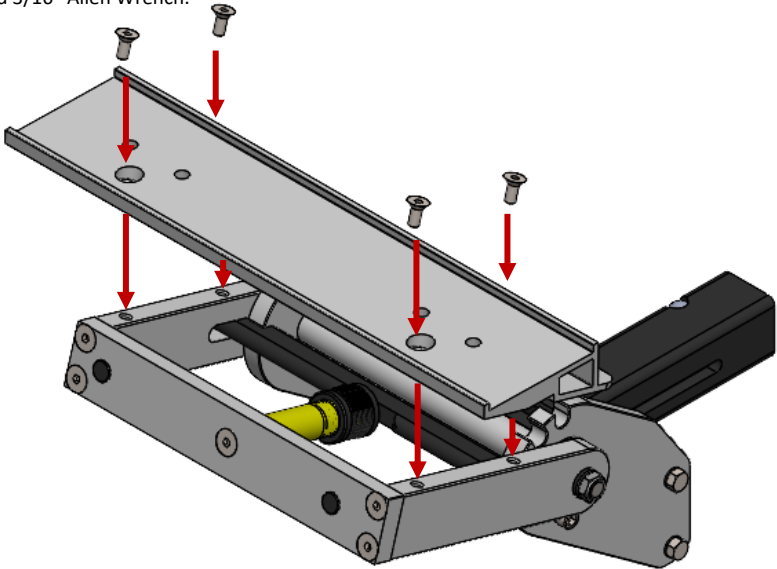
- Fits 16"-29" wheels, up to 5" wide.
- Two Add-Ons may be installed to increase number of bikes carried. Add-Ons sold separately.

Step 1:

- Remove Hitch Assembly, 15 Degree Plate(s), Driver Tray, and Passenger Tray from box.
- Remove sticker covering Hitch Bar Ball.

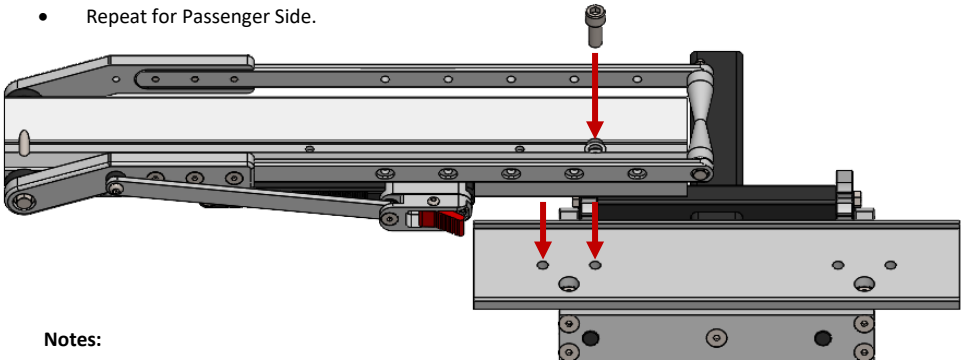
Step 2:

- Insert Hitch Assembly into a receiver or onto a flat surface, ensuring tapped holes on Pivot Beams are facing up as shown below.
- Place 15 Degree Plate onto Pivot Beams with taller side closest to Hitch and flat side facing up.
- Firmly fasten 15 Degree Plate onto Pivot Beams using supplied 5/16"-18 X .75" Flat Head Screws and 3/16" Allen Wrench.



Step 3:

- Place Driver Tray on driver side of rack, ensuring Button is facing away from Hitch as shown below.
- Firmly fasten Tray to 15 Degree Plate using supplied 1/2"-13 X 1.25" Socket Head and Security Wrench.
- Repeat for Passenger Side.

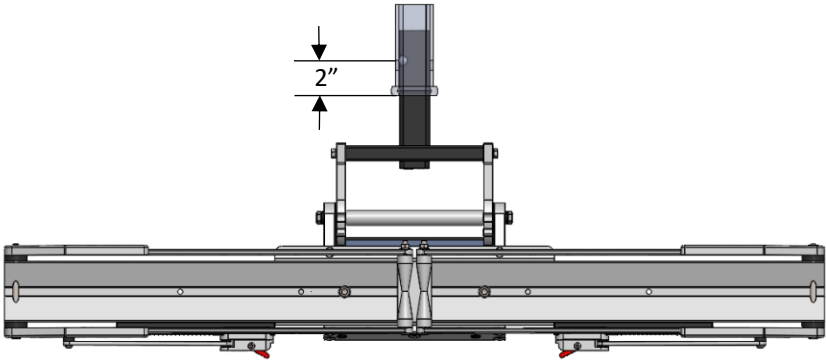


Notes:

- *Inner holes accommodate wheelbases up to 54".*
- *Outer holes accommodate wheelbases 54" to 58".*
- *Trays can be offset from Driver to Passenger side based on user preference.*

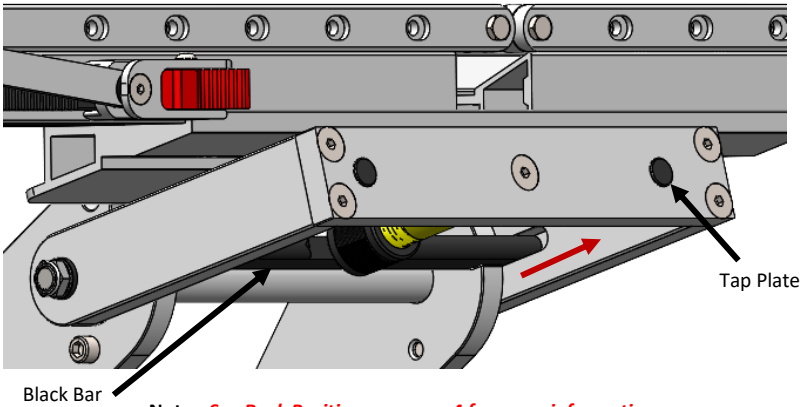
Step 4:

- Insert Rack to desired depth in receiver. Ball must be inserted a minimum of 2".
- *Silver ball should not stick out front of receiver.*



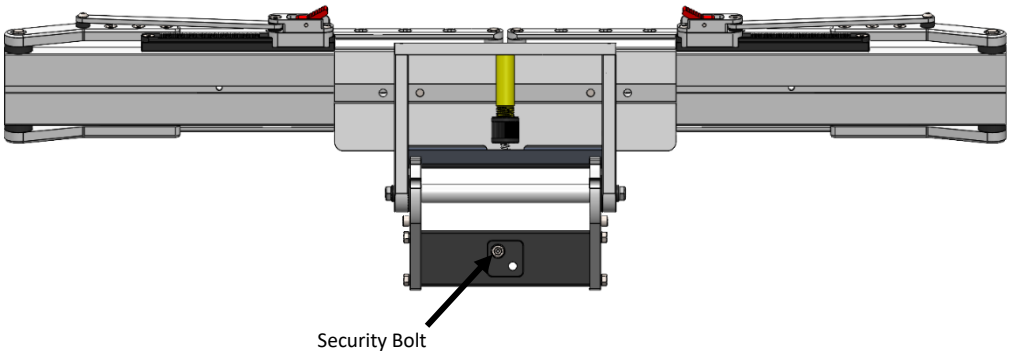
Step 5:

- Pivot Rack into storage position by pulling Black Bar back and lifting upward on Tap Plate.



Step 6:

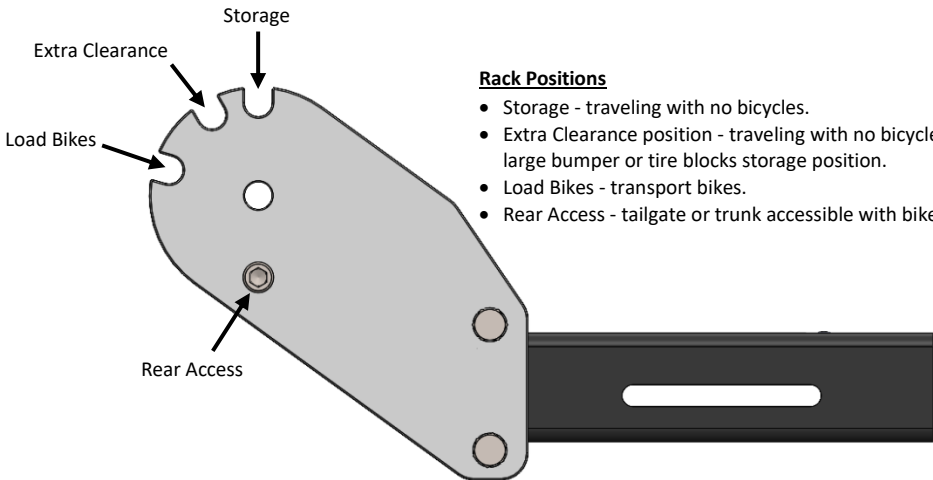
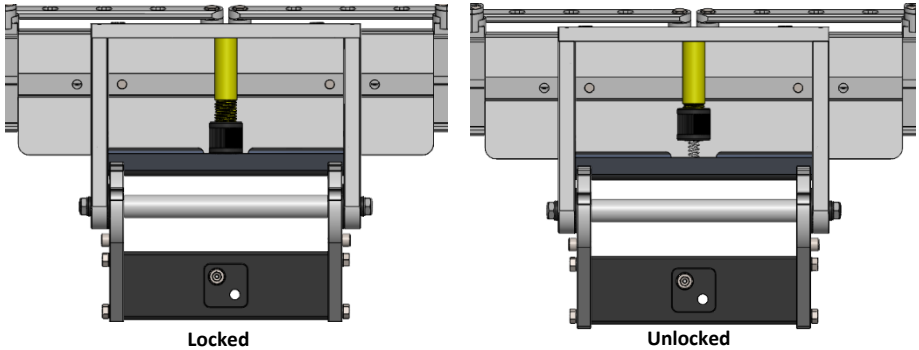
- Tighten Security Hitch Bolt firmly with gold Security Wrench provided.



Pivoting the Rack

- Pull Black Bar out away from Hitch while lifting on Tap Plate.
- Pivot Rack toward desired position and release Black Bar. *Ensure Black Bar fully engages in slots.*
- *Once Black Bar is engaged, tighten Gold Bar Knob against Black Bar to lock in place.*

Warning: Failure to follow above instructions may cause severe damage to bikes and/or bike rack.



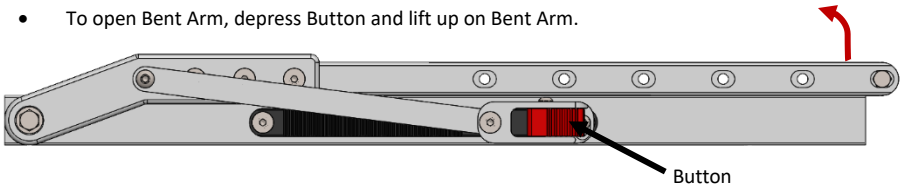
Rack Positions

- Storage - traveling with no bicycles.
- Extra Clearance position - traveling with no bicycles, but a large bumper or tire blocks storage position.
- Load Bikes - transport bikes.
- Rear Access - tailgate or trunk accessible with bikes on.

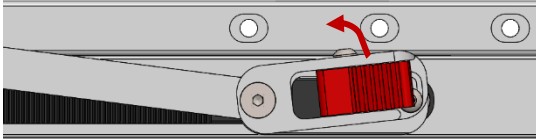
Note: *In rear access position, Black Bar will not lock into place. Not for transporting.*

Loading Bikes

- To open Bent Arm, depress Button and lift up on Bent Arm.



- To disengage Domino, depress Button and lift up on outer Domino as shown below.
- Once Domino is disengaged, Bent Arm will have free motion without depression of button.



- To engage Domino, press down on outer Domino until Button snaps back into place.

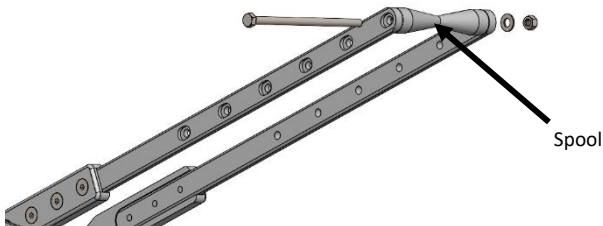
Note: Domino must be engaged to secure bike. Failure to engage Domino can result in damage to bike.

- Open Bent Arms on both driver and passenger side.
- Set bike on Trays in desired position.
- Pivot Bent Arms down to firmly contact tires.
- When loading multiple bikes, stagger them to avoid seat and handlebar interference. E.g., front tire of bike one on driver side, front tire of bike two on passenger side, etc.



Note: Spool must contact tire within specified range. Bike is not secured in rack if spool is located outside of specified range.

- To adjust spool location, remove hex nut and washer with a ½" wrench.
- Slide bolt out of Spool and re-assemble Spool in desired wheel position, firmly tightening hex nut.

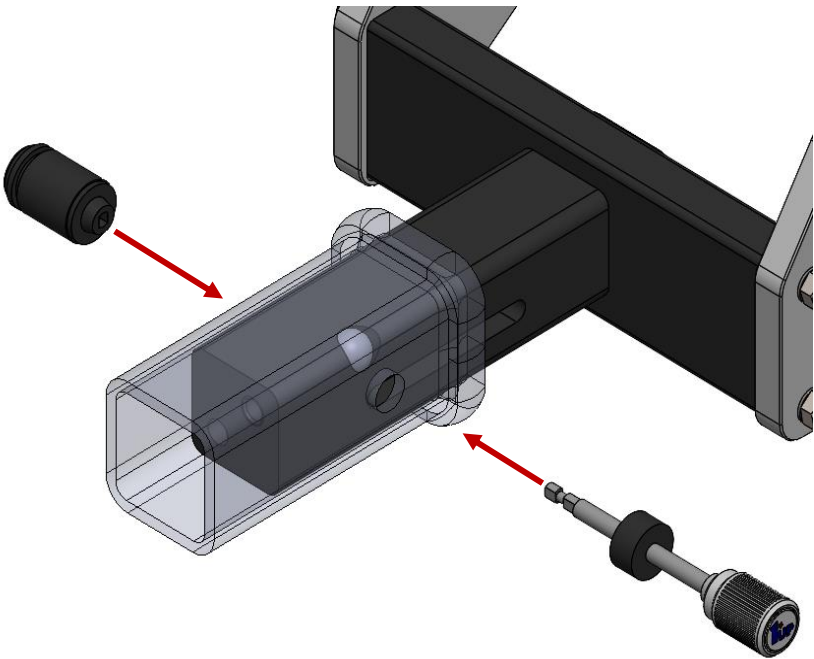


Unloading Bikes

- Compress Bent Arm/Spool into tire slightly while depressing Button. This relieves pressure and allows Button to easily unlock.
- Pivot Bent Arm away from tire to unload.
- Repeat unloading process on opposite side.

Locking Rack to Vehicle

- Slide Hitch Pin through receiver pin hole and Slotted Hitch Bar.
- Install Lock Head to end of Locking Pin.



Additional Instructions

- Tighten Security Hitch Bolt periodically.
- Remove Rack from receiver at least every two weeks and clean receiver so Rack does not seize in receiver.
- Remove road debris off nuts and bolts to prevent corrosion.
- Inspect hardware on Rack periodically to ensure proper working conditions.
- Certain car wash chemicals may damage Accessory finish. Please use caution when cleaning vehicle and/or Accessory.
- Failure to follow above instructions, or misuse of bike rack, may void warranty.

Questions or comments? Contact our support team via email at email@1up-usa.com