



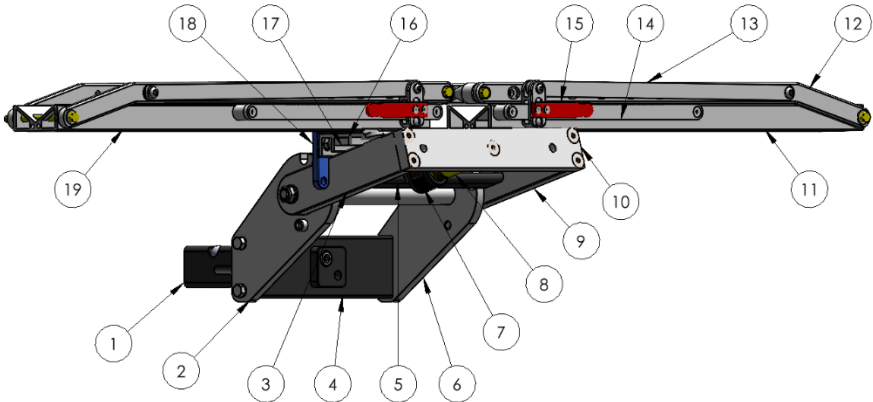
For additional info including video instructions, detailed weight ratings, and more, scan the code.



2" HEAVY DUTY

Parts List:

- | | |
|----------------------------|-------------------------|
| 1) 2" Hitch | 11) Passenger Side Tray |
| 2) Driver 2" Side Plate | 12) Bent Arm |
| 3) Driver Pivot Beam | 13) 19" Strap |
| 4) Cross Bar | 14) Glide Bar |
| 5) Black Bar | 15) Red Lever |
| 6) Passenger 2" Side Plate | 16) 15 Degree Plate |
| 7) Gold Bar Knob | 17) Heavy Duty Bar |
| 8) Gold Bar | 18) Blue Lever |
| 9) Passenger Pivot Beam | 19) Driver Side Tray |
| 10) Tap Plate | |



In the Box:

- 1UP USA 2" Heavy Duty Rack
- (2) Security Wrench
- Hitch Bar Lock

Product Notes:

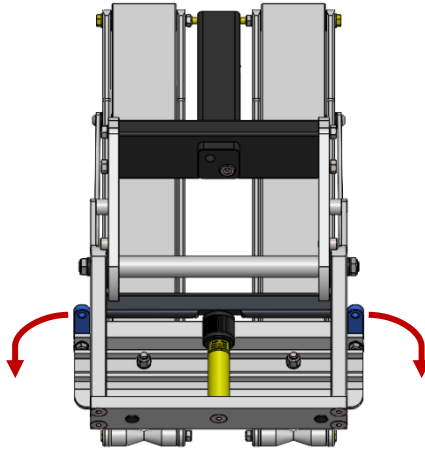
- Fits 16"-29" wheels, up to 3.1" wide. For wider tires, use a Fat Bike Spacer Kit (sold separately).
- 2" Heavy Duty Rack offered in single and double configurations.
- Two Add-Ons may be installed to increase number of bikes carried. Add-Ons sold separately.

Step 1:

- Remove Rack from box.
- Unfold Hitch parallel with Trays.
- Remove all cardboard supports.
- Remove sticker covering Hitch Bar Ball.

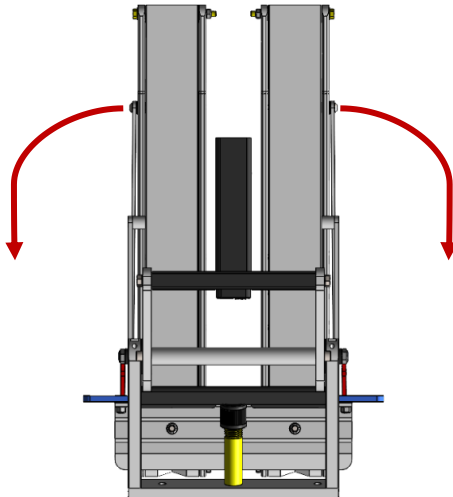
Step 2:

- Position Rack with Hitch Bar facing upwards and place on a stable nonabrasive surface.
- Rotate Blue Levers outward 90°.



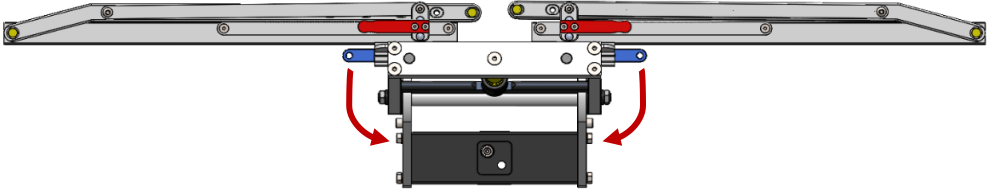
Step 3:

- Rotate Trays outward 90° into loading position.



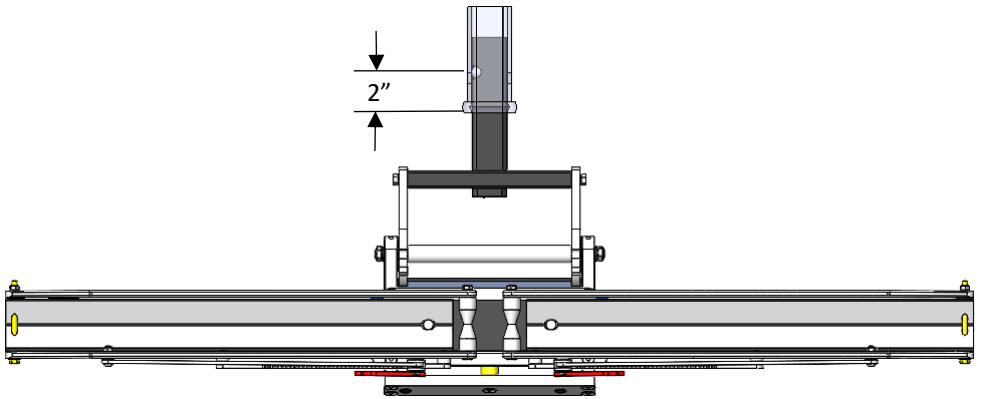
Step 3 Cont'd:

- Rotate Blue Levers back into original locking position.
- *Ensure Blue Levers are always in locked position when using Rack.*



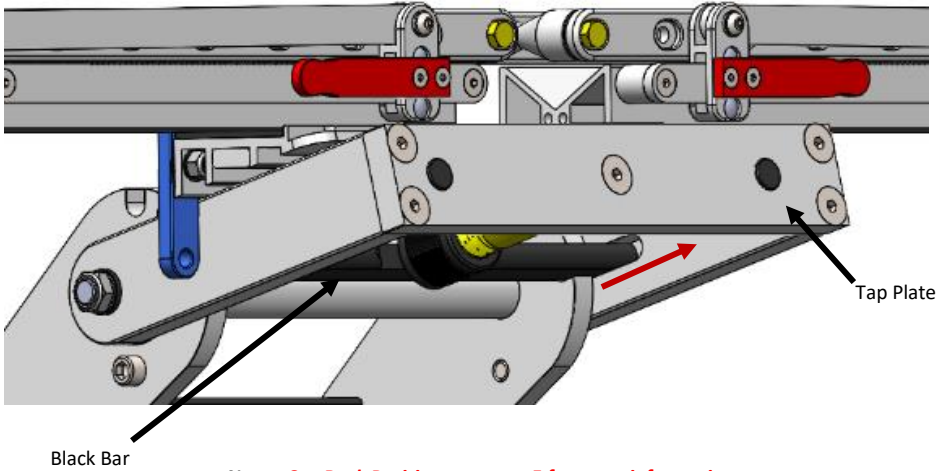
Step 4:

- Insert Rack to desired depth in receiver. Ball must be inserted a minimum of 2".
- *Silver ball should not stick out front of receiver.*



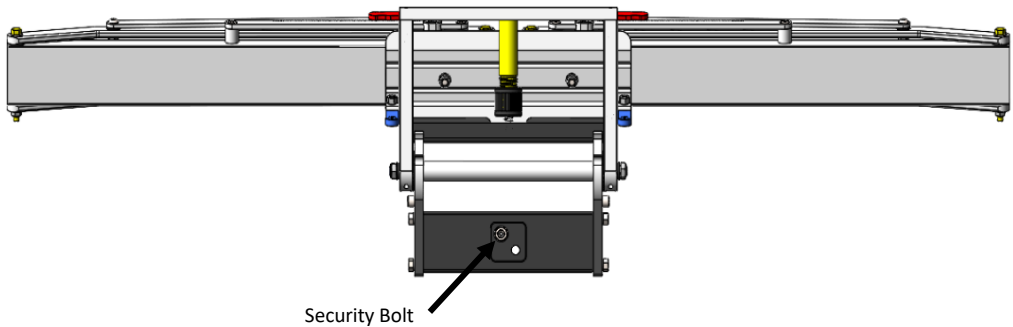
Step 5:

- Pivot Rack into storage position by pulling Black Bar back and lifting upward on Tap Plate.



Step 6:

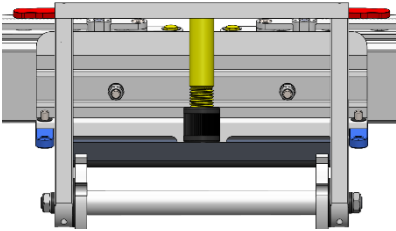
- Tighten Security Hitch Bolt firmly with gold Security Wrench provided.



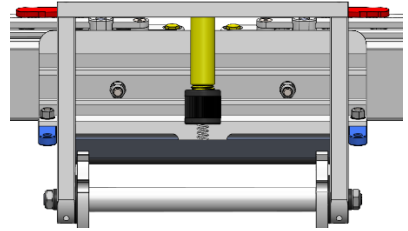
Pivoting the Rack

- Pull Black Bar out away from Hitch while lifting on Tap Plate.
- Pivot Rack toward desired position and release Black Bar. *Ensure Black Bar fully engages in slots.*
- *Once Black Bar is engaged, tighten Gold Bar Knob against Black Bar to lock in place.*

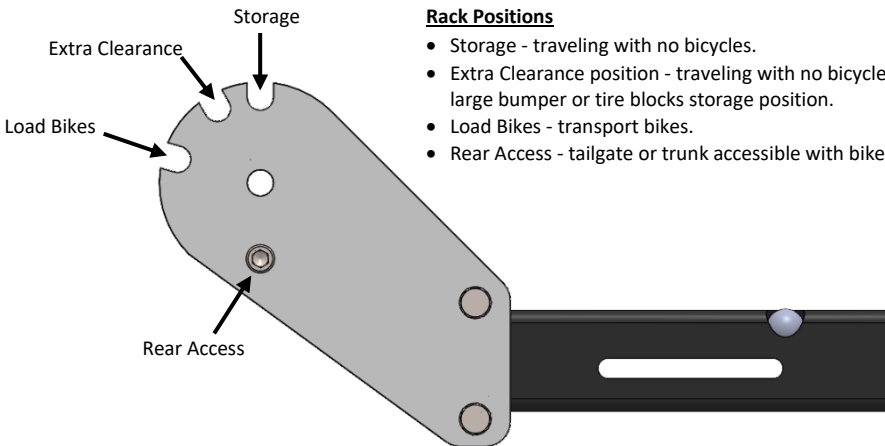
Warning: Failure to follow above instructions may cause severe damage to bikes and/or bike rack.



Locked



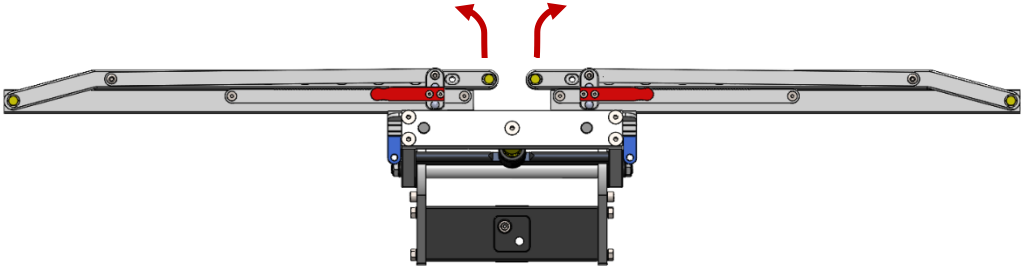
Unlocked



Note: *In rear access position, Black Bar will not lock into place. Not for transporting.*

Loading Bikes

- On driver and passenger side, lift Red Lever up parallel with Glide Bar while pulling up on Bent Arm.



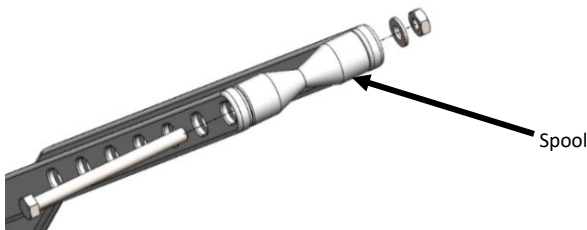
Note: *Do not move Bent Arms up without lifting Red Lever.*

- Set bike on Trays in desired position.
- Pivot Bent Arms down to tires firmly.
- When loading multiple bikes, stagger them to avoid seat and handlebar interference. E.g., front tire of bike one on driver side, front tire of bike two on passenger side, etc.
- Check for interference between Strap nut and tire. If interference occurs reverse button head and nut orientation (button head to inside of Bent Arms and nut on outside of Strap).



Note: *Spool must contact tire within specified range. Bike is not secured in rack if spool is located outside of specified range.*

- To adjust spool location, remove hex nut and washer with a ½" wrench.
- Slide bolt out of Spools and re-assemble Spools in desired wheel position, firmly tightening hex nut.

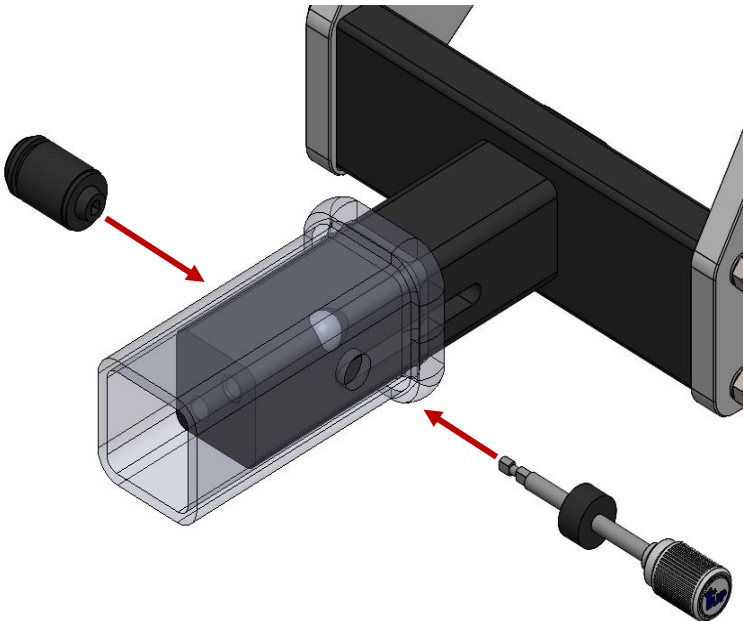


Unloading Bikes

- Compress Bent Arm/Spool into tire slightly while lifting on Red Lever. This relieves pressure and allows Red Lever to easily unlock.
- Pivot Bent Arm away from tire to unload.
- Repeat unloading process on opposite side.

Locking Rack to Vehicle

- Slide Hitch Pin through receiver pin hole and Slotted Hitch Bar.
- Install Lock Head to end of Locking Pin.



Additional Instructions

- Tighten Security Hitch Bolt periodically.
- Remove Rack from receiver at least every two weeks and clean receiver so Rack does not seize in receiver.
- Remove road debris off nuts and bolts to prevent corrosion.
- Inspect hardware on Rack periodically to ensure proper working conditions.
- Certain car wash chemicals may damage Rack finish. Please use caution when cleaning vehicle and/ or Rack.
- Failure to follow above instructions, or misuse of bike rack, may void warranty.

Questions or comments? Contact our support team via email at email@1up-usa.com