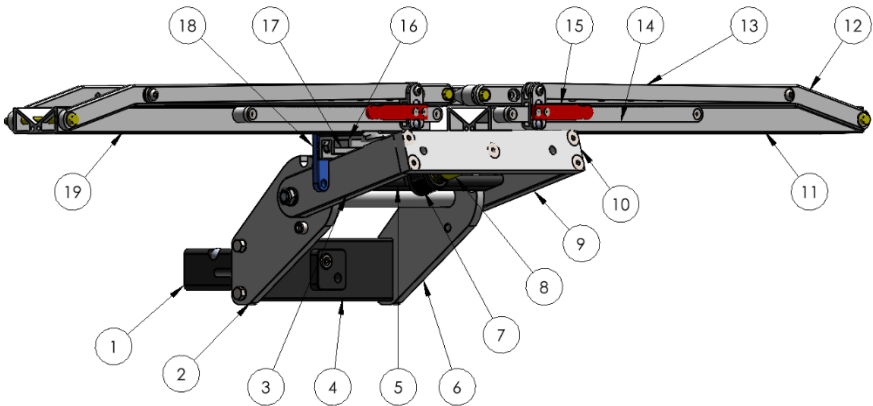




## 2" HEAVY & SUPER DUTY

### Parts List:

- |                        |                         |
|------------------------|-------------------------|
| 1) 2" Hitch            | 11) Passenger Side Tray |
| 2) Left 2" Side Plate  | 12) Bent Arm            |
| 3) Left Pivot Beam     | 13) 19" Strap           |
| 4) Cross Bar           | 14) Glide Bar           |
| 5) Black Bar           | 15) Red Lever           |
| 6) Right 2" Side Plate | 16) 15° Plate           |
| 7) Gold Bar Knob       | 17) Super Duty Bar      |
| 8) Gold Bar            | 18) Blue Lever          |
| 9) Right Pivot Beam    | 19) Driver Side Tray    |
| 10) Tap Plate          |                         |



### In the Box:

- 1UP USA 2" Heavy or Super Duty Rack
- (2) Security Wrench
- Hitch Bar Lock

### Product Notes:

- Fits 16"-29" wheels, up to 3.1" wide. For wider tires, use a Fat Bike Spacer Kit (sold separately).
- Heavy Duty rated to hold up to 50 lb/bike spot. Super Duty rated to hold up to 75 lb/bike spot.
- 2" Heavy Duty Rack offered in double configuration only.
- 2" Super Duty Rack offered in single and double configurations.
- Racks may have addition of 2 Add-Ons (sold separately) maximum. See note below.

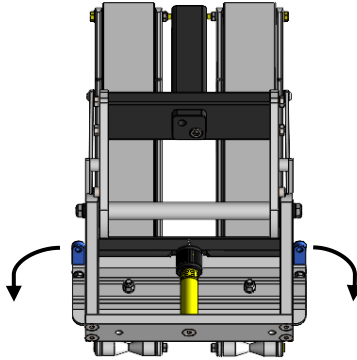
**Note:** For 2" Super Duty Double, with addition of two Add-Ons (sold separately), this rack can hold a maximum of four bikes when all bikes are 50 lb or less. If any bike weighs 51 lb – 75 lb, only one Add-On may be used.

## Step 1:

- Remove Rack from box.
- Unfold Hitch parallel with Trays.
- Remove all cardboard supports.
- Remove sticker covering Hitch Bar Ball.

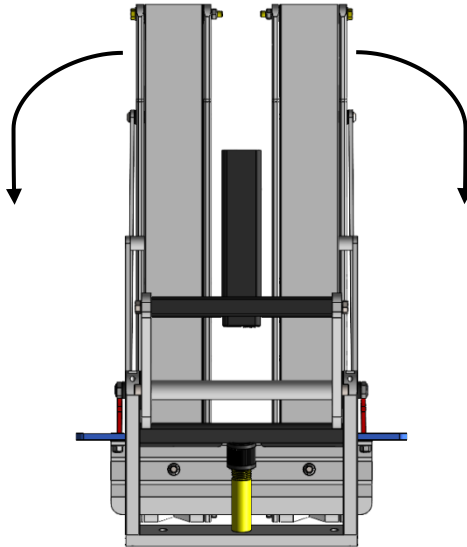
## Step 2:

- Position Rack with Hitch Bar facing upwards and place on a stable nonabrasive surface.
- Rotate Blue Levers outward 90°.



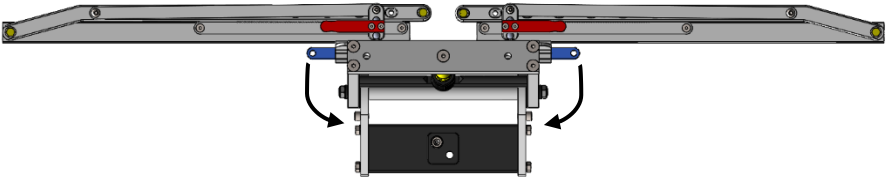
## Step 3:

- Rotate Trays outward 90° into loading position.



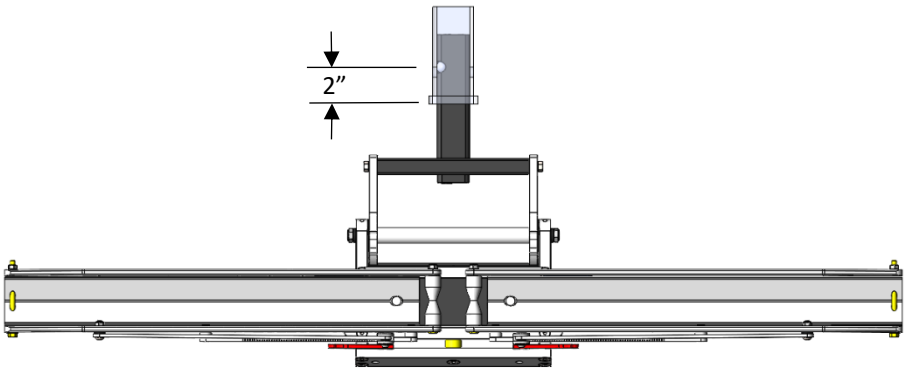
### Step 3 Cont'd:

- Rotate Blue Levers back into original locking position.
- Ensure Blue Levers are always in locked position when using Rack.



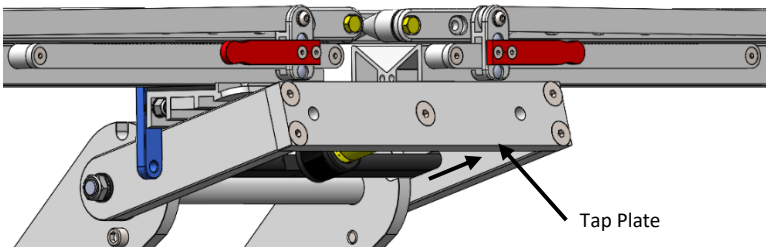
### Step 4:

- Insert Rack to desired depth in receiver. Ball must be inserted a minimum of 2".
- **Silver ball should not stick out front of receiver.**



### Step 5:

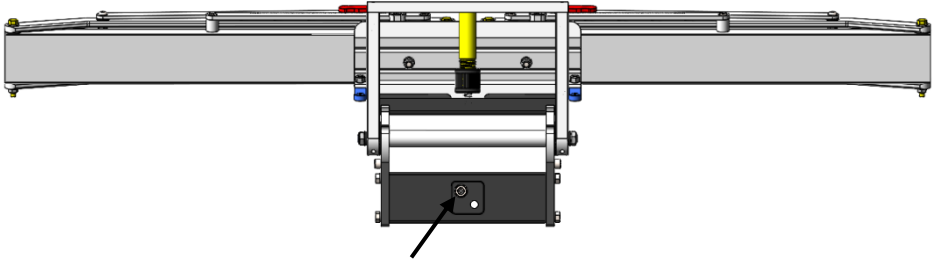
- Pivot Rack into storage position by pulling Black Bar back and lifting upward on Tap Plate.



**Note:** See Rack Positions on page 4 for more information.

## Step 6:

- Tighten Security Hitch Bolt firmly with gold Security Wrench provided.

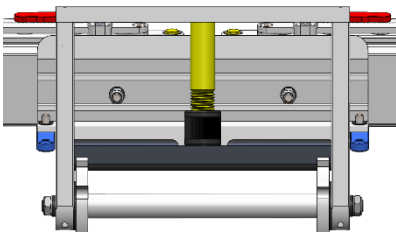


**Note:** Do not tighten Security Hitch Bolt if Hitch Bar is not inserted into a receiver.

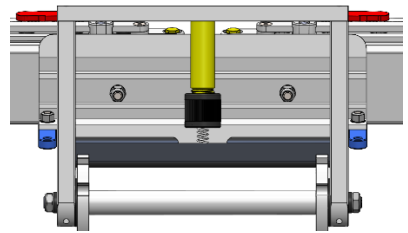
## Pivoting the Rack

- Pull Black Bar out away from Hitch while lifting on Tap Plate.
- Pivot Rack toward desired position and release Black Bar. **Ensure Black Bar fully engages in slots.**
- **Once Black Bar is engaged, tighten Gold Bar Knob against Black Bar to lock in place.**

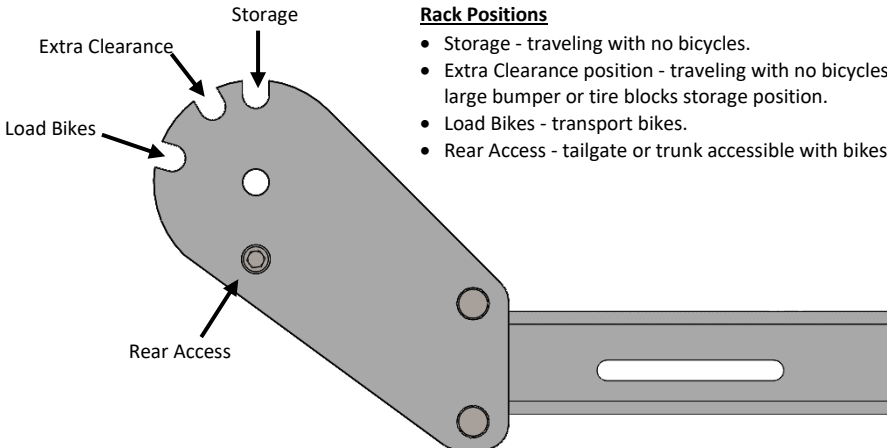
**Warning:** Failure to follow above instructions may cause severe damage to bikes and/or bike rack.



Locked



Unlocked

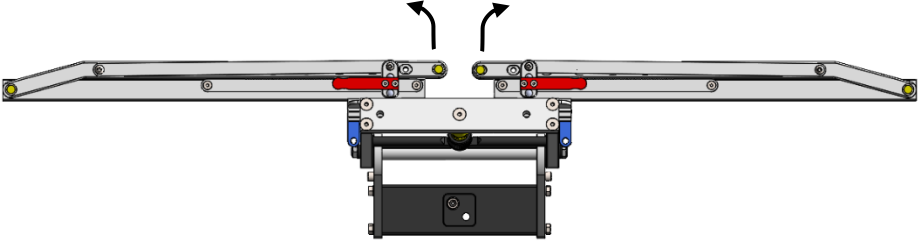


**Note:** In rear access position, Black Bar will not lock into place. Not for transporting.

## Loading Bikes

- On driver and passenger side, lift Red Lever up parallel with Glide Bar while pulling up on Bent Arm.

**Note: Do not move Bent Arms up without lifting Red Lever.**



- Set bike on Trays in desired position.
- Pivot Bent Arms down to tires firmly.

**Note:**

- **When loading multiple bikes, stagger them to avoid seat and handlebar interference**
- **Check for interference between Strap nut and tire. If interference occurs reverse button head and nut orientation (button head to inside of Bent Arms and nut on outside of Strap).**

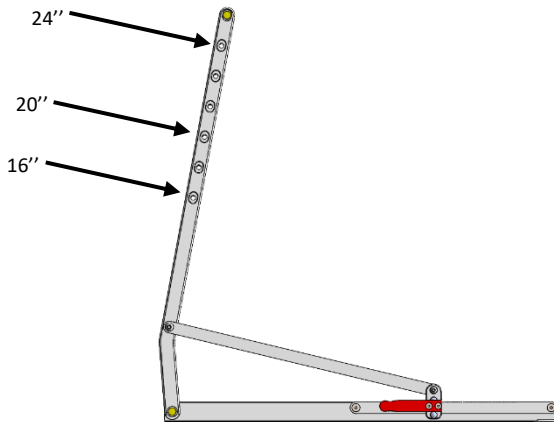


## Unloading Bikes

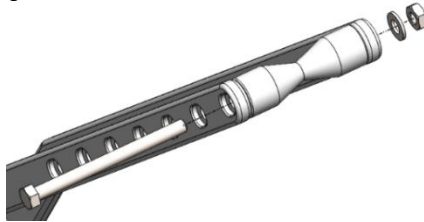
- Compress Bent Arm/Spool into tire slightly while lifting on Red Lever. This relieves pressure and allows Red Lever to easily unlock.
- Pivot Bent Arm away from tire to unload.
- Repeat unloading process on opposite side.

## Wheel Settings

- Rack is set to hold 26", 27.5", 29", or 700-C wheels. If bike tires are smaller, see instructions below to adjust Spools accordingly.

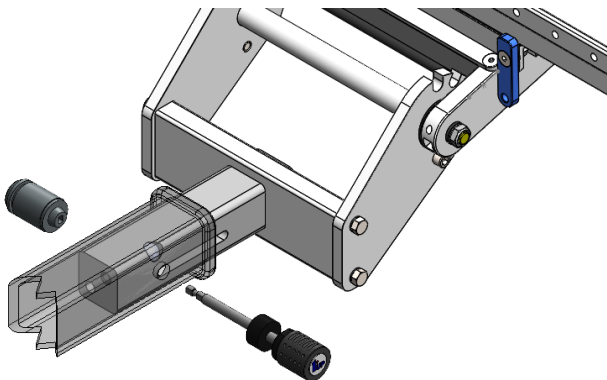


- With a ½" wrench, remove hex nut and washer.
- Slide bolt out of Spools and re-assemble Spools in desired wheel position, firmly tightening hex nut.



## Locking Rack to Vehicle

- Slide Hitch Pin through receiver pin hole and Slotted Hitch Bar.
- Install Lock Head to end of Locking Pin.



## **Additional Instructions**

- Tighten Security Hitch Bolt periodically.
- Remove Rack from receiver at least every two weeks and clean receiver so Rack does not seize in receiver.
- Remove road debris off nuts and bolts to prevent corrosion.
- Inspect hardware on Rack periodically to ensure proper working conditions.
- Certain car wash chemicals may damage Rack finish. Please use caution when cleaning vehicle and/ or Rack.
- Failure to follow above instructions, or misuse of bike rack, may void warranty.

Questions or comments? Contact our support team via email at [email@1up-usa.com](mailto:email@1up-usa.com)