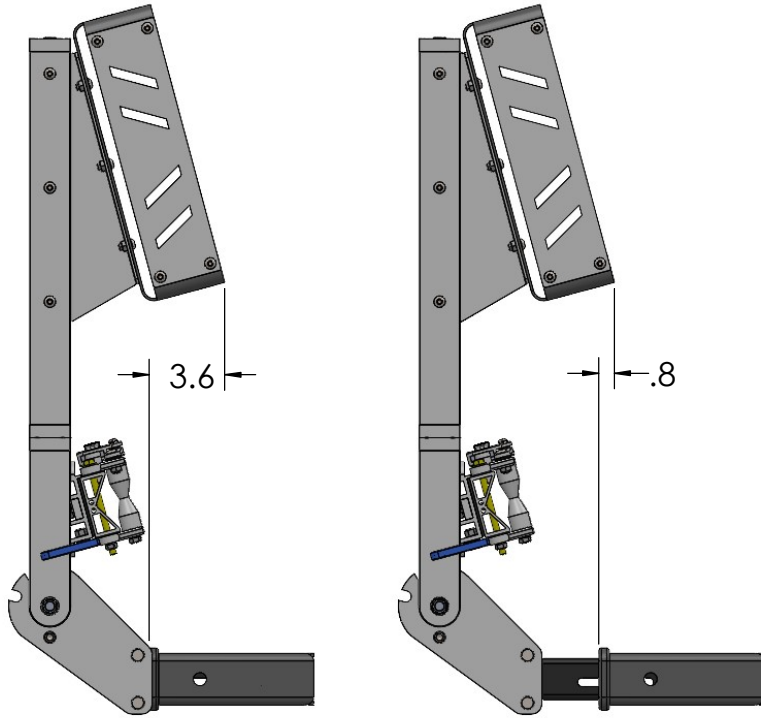


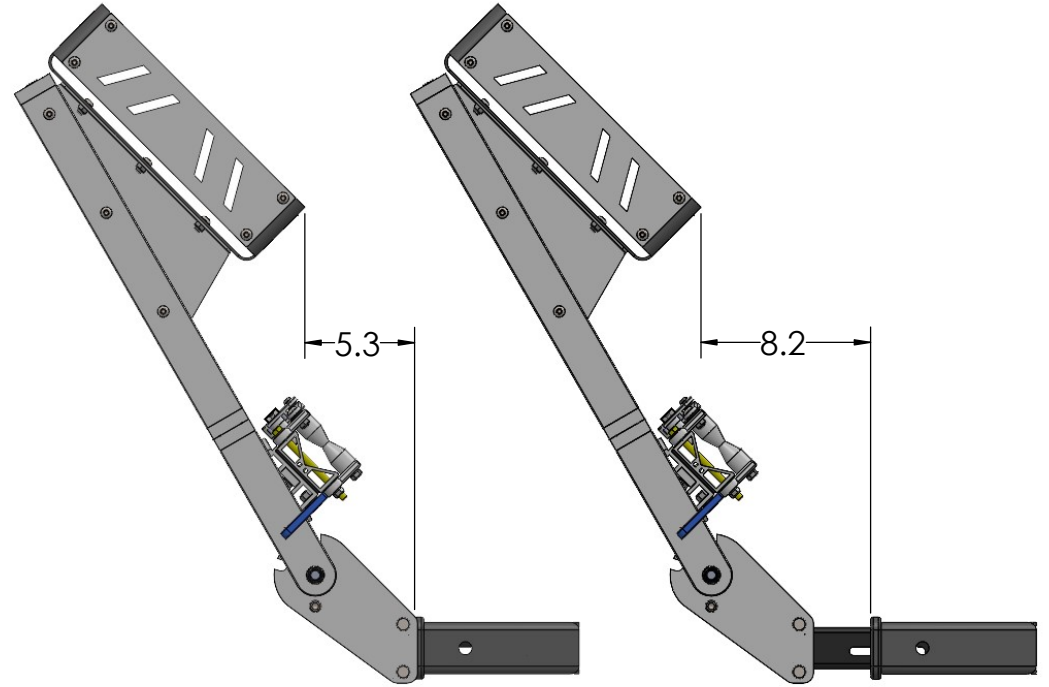
CARGO ADD-ON



MIN

MAX

90 DEGREE STORAGE POSITION



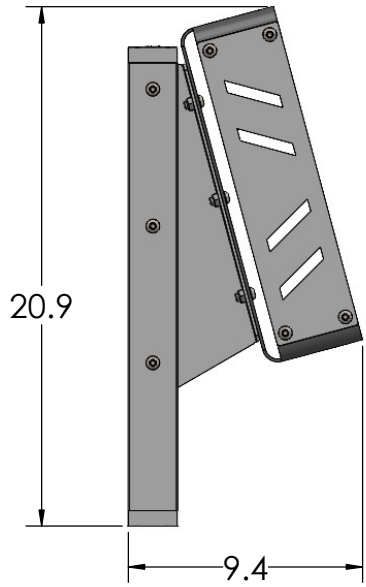
MIN

MAX

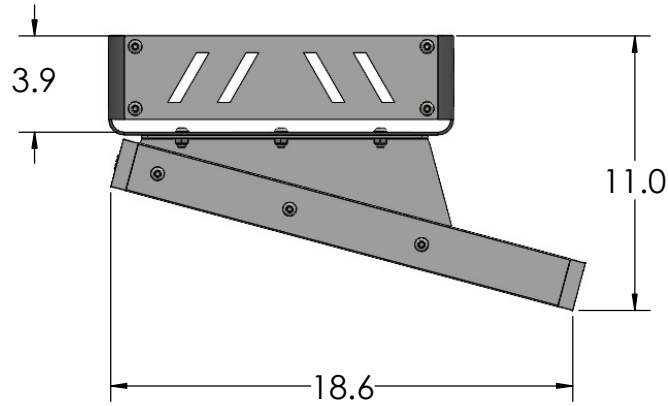
EXTRA CLEARANCE STORAGE POSITION

NOTE: STANDARD BIKE ADD-ON CANNOT INSTALL BEHIND CARGO ADD-ON

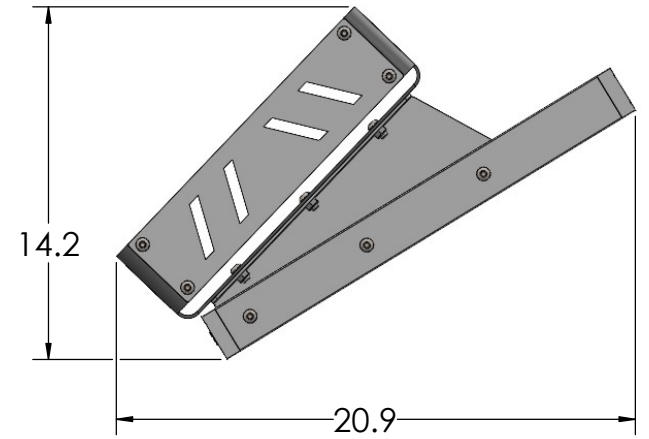
CARGO ADD-ON



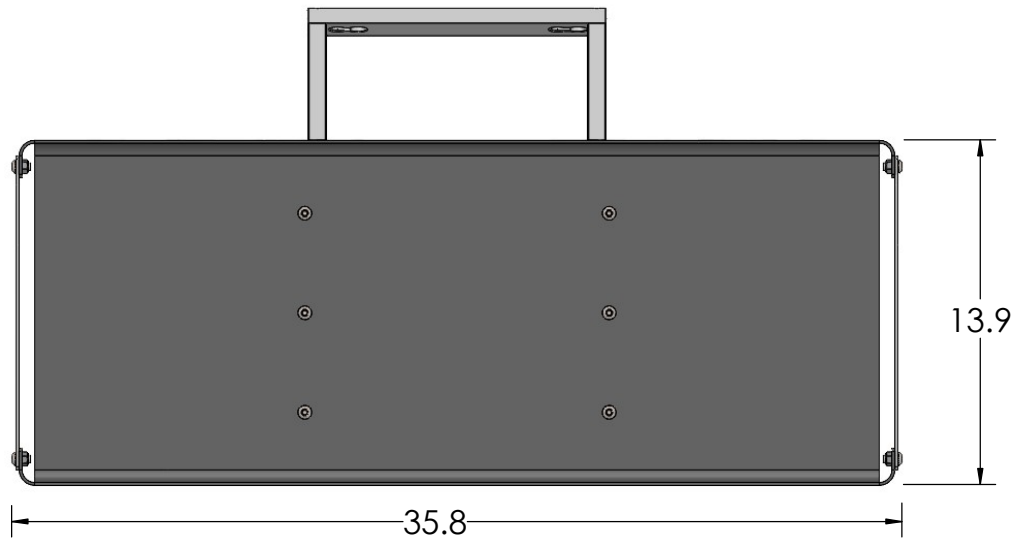
STORAGE POSITION



RIDE POSITION



DOWN POSITION



OVERALL SIZE