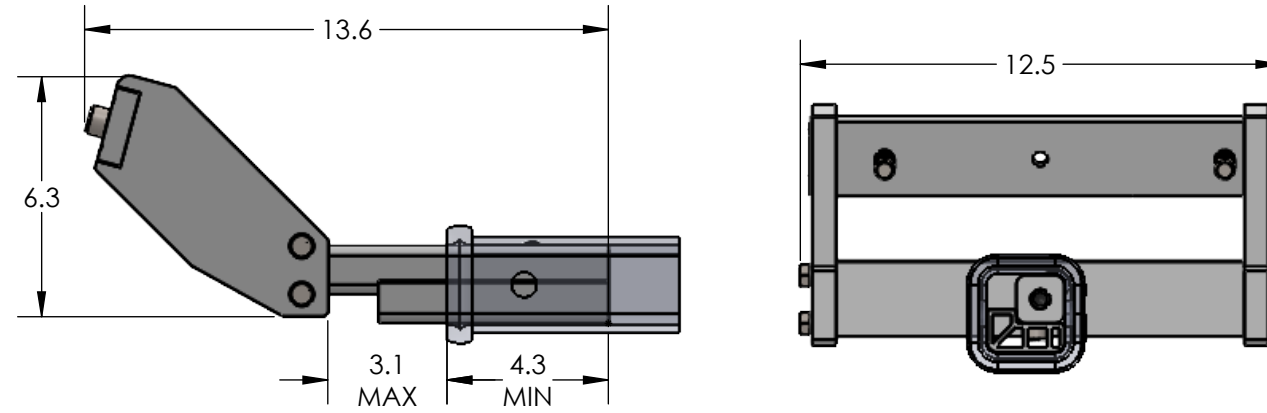
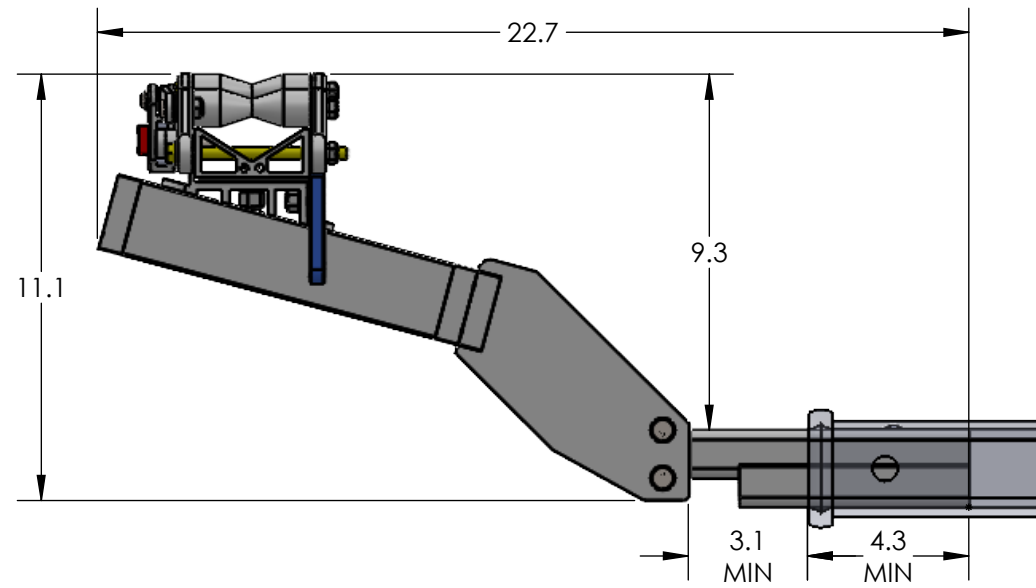


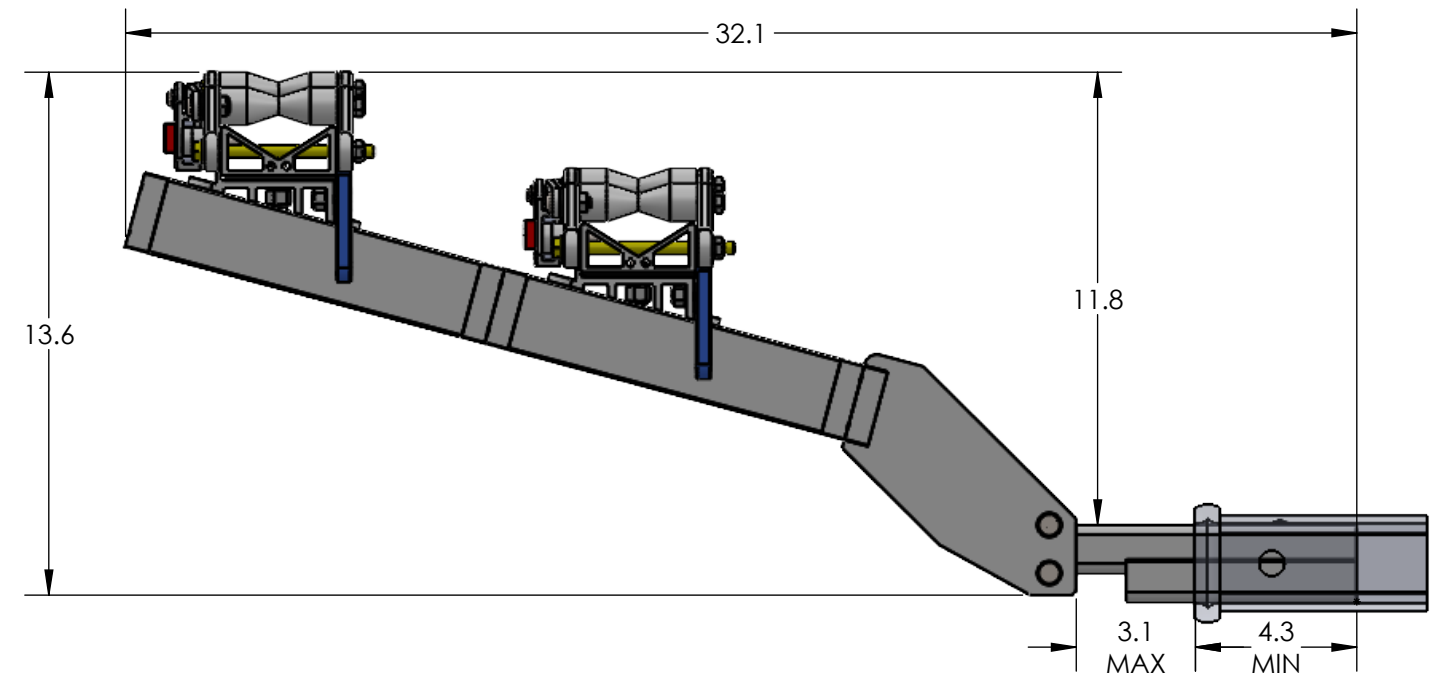
1.25" ADD-ON ADAPTER



BASE ADAPTER



BASE ADAPTER W/ ONE ADD-ON



BASE ADAPTER W/ TWO ADD-ONS