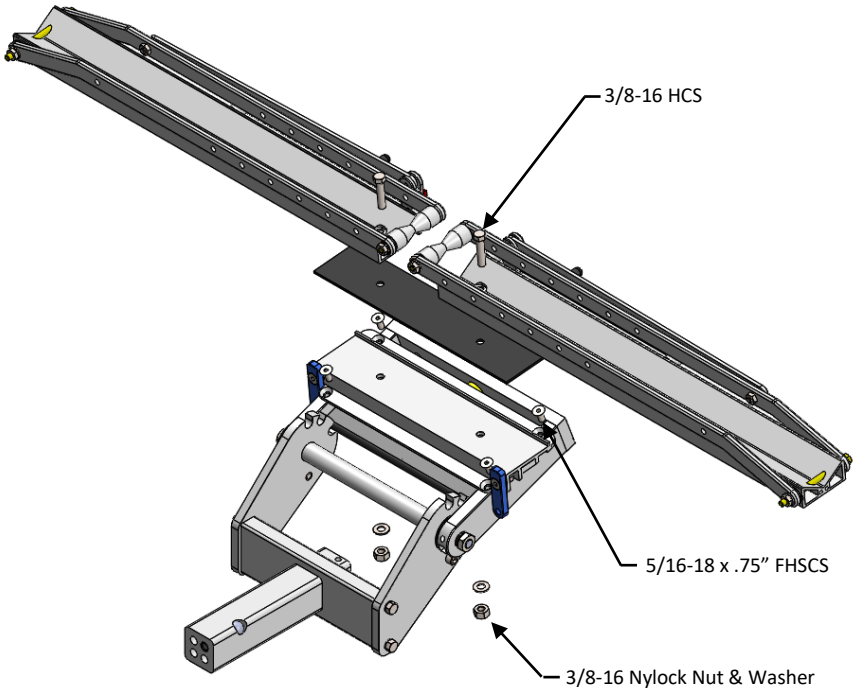


Installing 15 Degree Plate

- Install 15° Plate as shown below. Both trays must be removed before installing new 15° plate.
- Tools required (not included):
 - 9/16" socket to remove/install tray fasteners.
 - 3/16" Allen Wrench to remove/install 15° plate fasteners.

Note: 15° plate fasteners may require impact quality tool to remove.



Note: Periodically tighten fasteners to insure secure connection.