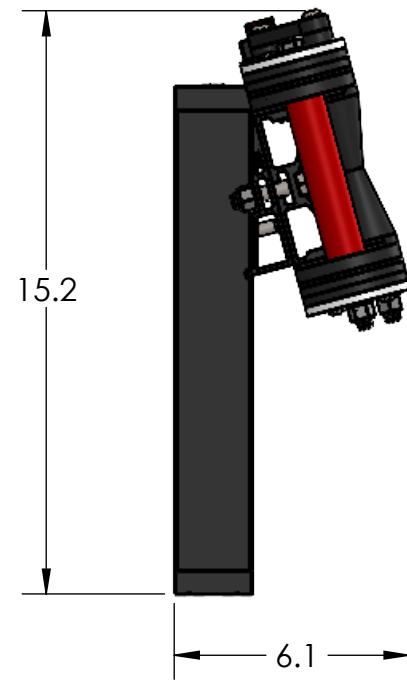
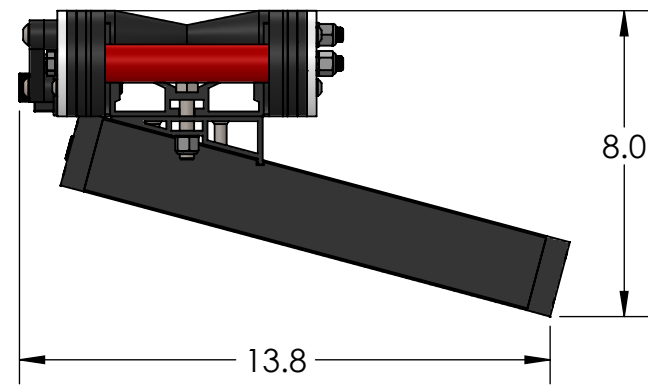


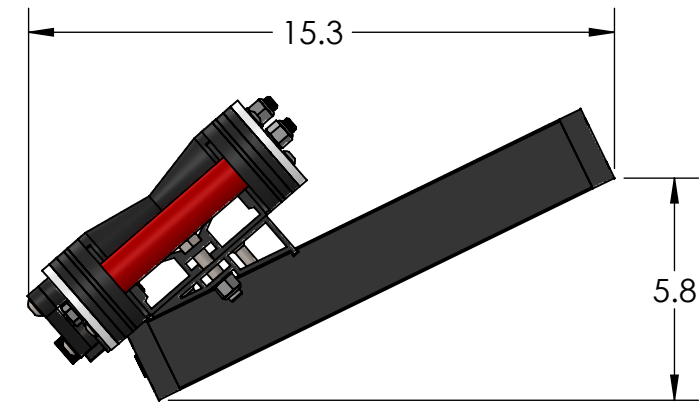
XD ADD-ON



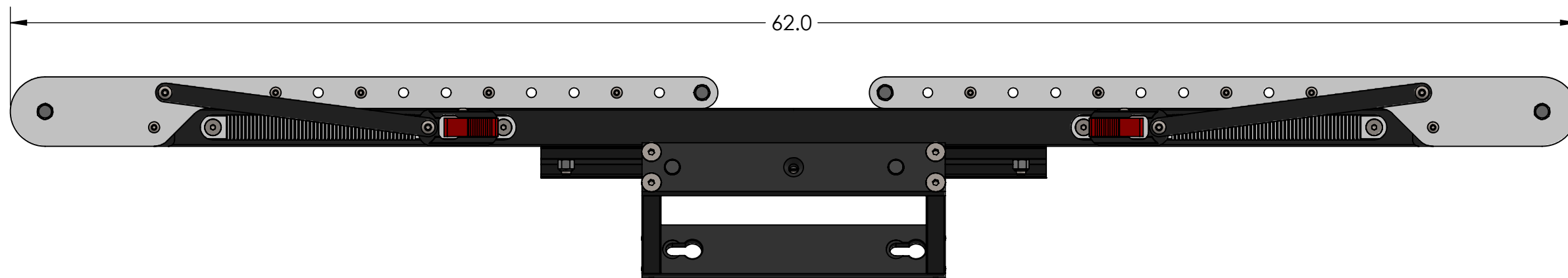
STORAGE POSITION



RIDE POSITION



DOWN POSITION



OVERALL WIDTH

SEE BASE RACK FITMENT DRAWINGS FOR ADDITIONAL DIMENSIONS